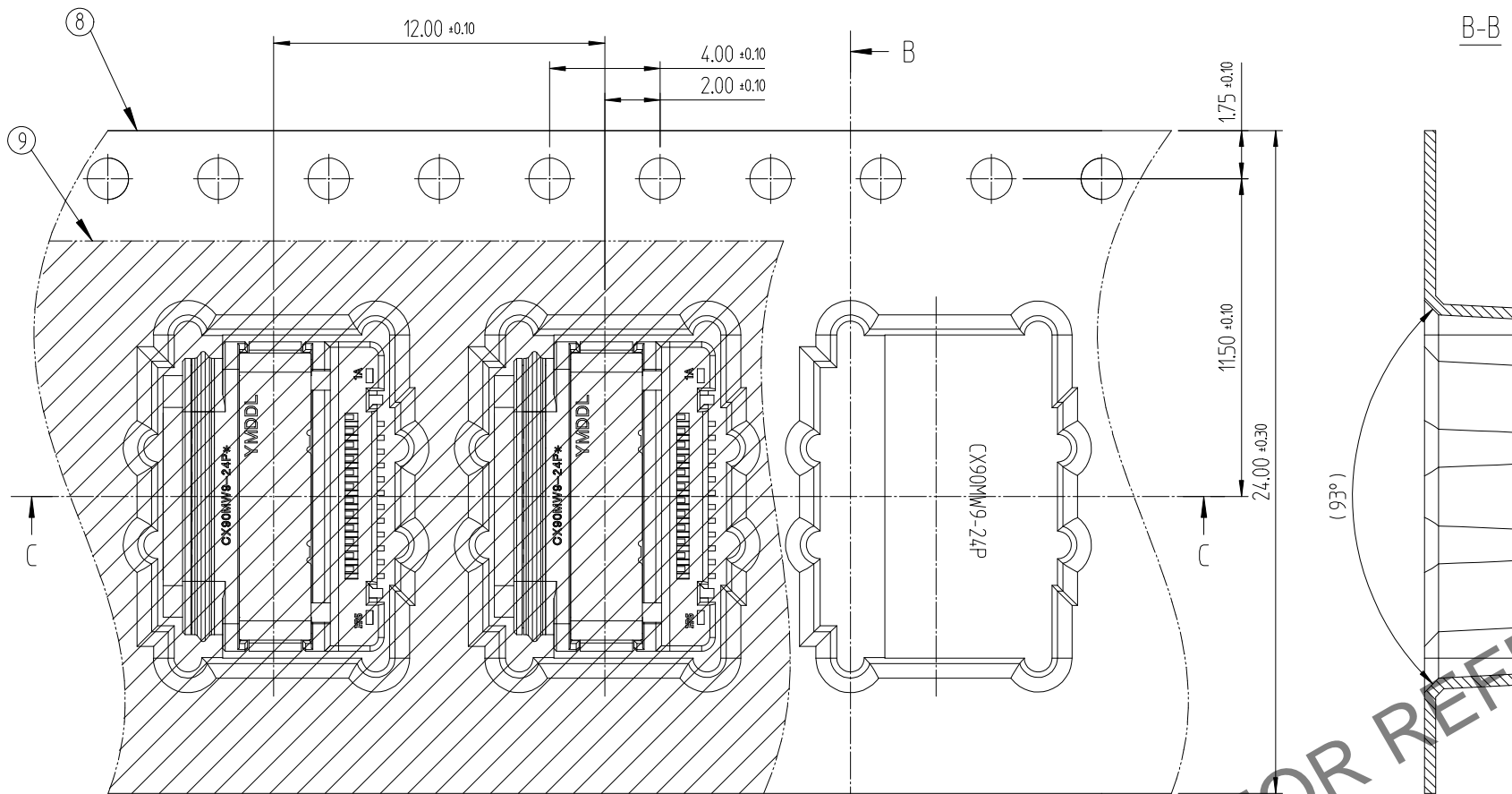




Apr.1.2024 Copyright 2024 HIROSE ELECTRIC CO., LTD. All Rights Reserved.  
In case of consideration for using Automotive equipment / device which demand high reliability, kindly contact our sales window correspondents.

DRAWING FOR PACKING

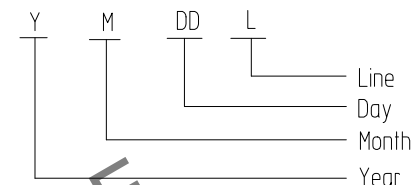
DIRECTION OF UNREELING →



B-B

[NOTE]

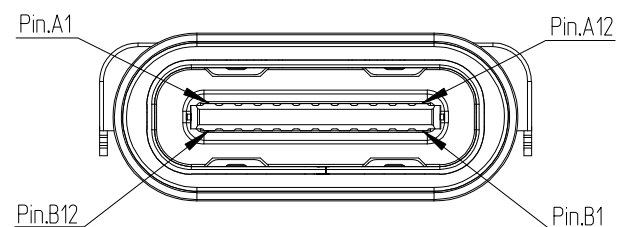
- ① Co-planarity of contact leads.  
- 0.08max.before reflow, 0.10max.after reflow 2times and during reflow.
- ② Lot marking : 5 digits (YMDDL)



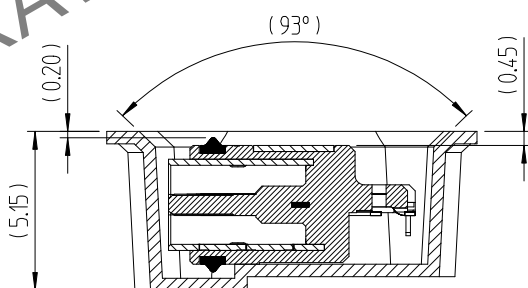
[Chart-1] LOT MARKING

| Year | Month | Day    | Production Line | Ex. Mark    | Ex. Mark | Ex. Mark | Ex. Mark | MARK |
|------|-------|--------|-----------------|-------------|----------|----------|----------|------|
| 2020 | 0     | Jan. 1 | 1st 01          | Sample      |          |          |          | S    |
| 2021 | 1     | Feb. 2 | 2nd 02          | MP Manual#1 |          |          |          | 1    |
| 2022 | 2     | Mar. 3 | 3th 03          | MP Manual#2 |          |          |          | 2    |
| 2023 | 3     | Apr. 4 | 4th 04          | MP Manual#3 |          |          |          | 3    |
| 2024 | 4     | May 5  | 5th 05          | MP Manual#4 |          |          |          | 4    |
| 2025 | 5     | Jun. 6 | 6th 06          | ...         |          |          |          | ...  |
| 2026 | 6     | Jul. 7 | 7th 07          | MP Auto#1   |          |          |          | A    |
| 2027 | 7     | Aug. 8 | 8th 08          | MP Auto#2   |          |          |          | B    |
| 2028 | 8     | Sep. 9 | 9th 09          | MP Auto#3   |          |          |          | C    |
| 2029 | 9     | Oct. A | 10th 10         | MP Auto#4   |          |          |          | D    |
|      |       | Nov. B | 11th 11         | MP Auto#5   |          |          |          | E    |
|      |       | Dec. C | ...             | ...         |          |          |          | ...  |

PIN ASSIGNMENT(FRONT-VIEW)



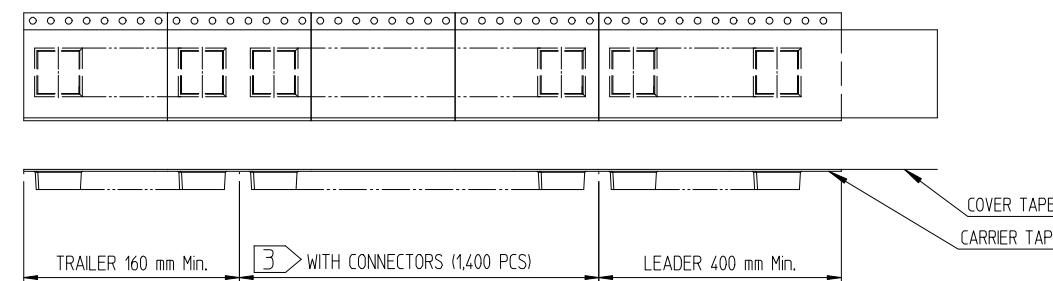
|     |      |      |      |      |    |    |      |      |      |      |     |
|-----|------|------|------|------|----|----|------|------|------|------|-----|
| A1  | A2   | A3   | A4   | A5   | A6 | A7 | A8   | A9   | A10  | A11  | A12 |
| GND | TX1+ | TX1- | Vbus | CC1  | D+ | D- | SBU1 | Vbus | RX2- | RX2+ | GND |
| B12 | B11  | B10  | B9   | B8   | B7 | B6 | B5   | B4   | B3   | B2   | B1  |
| GND | RX1+ | RX1- | Vbus | SBU2 | D- | D+ | CC2  | Vbus | TX2- | TX2+ | GND |



3. Carrier tape packing

Packing quantity : 1,400EA/REEL

Cover tape peeling force : 10~130gf(0.1~1.3N) @ 300mm/min



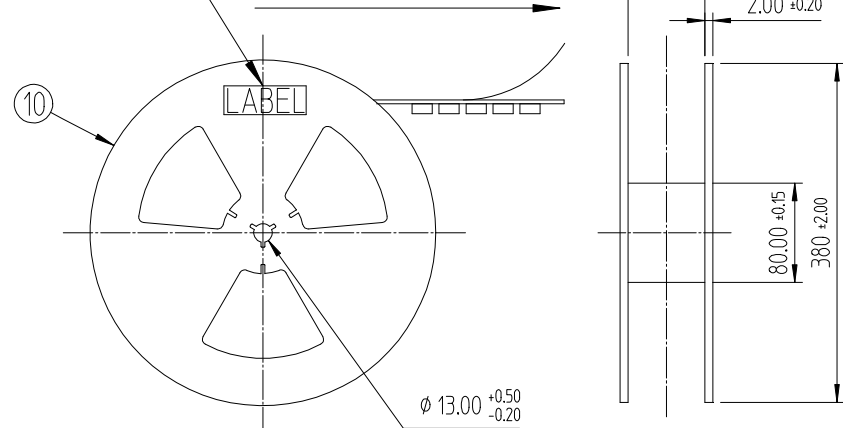
④ Pickup area

⑤ Series P/N Marking

| No. | P/N          | Marking      | Code No.           | Description                    |
|-----|--------------|--------------|--------------------|--------------------------------|
| 1   | CX90MW9-24P  | CX90MW9-24P  | CL 6249-0010-7-000 | IP54, Air leak Full-inspection |
| 2   | CX90MW9-24P1 | CX90MW9-24P1 | CL 6249-0012-2-000 | IP68, Air leak Full-inspection |

LABEL POSITION

PULL OUT DIRECTION →



|       |              |                |                                 |                       |
|-------|--------------|----------------|---------------------------------|-----------------------|
| 10    | REEL BOBBIN  | PS             | -                               |                       |
| 9     | COVER TAPE   | PET            | -                               |                       |
| 8     | EMBOSS TAPE  | PS             | Thermo-Comperssion Sealing      |                       |
| NO.   | DESCRIPTIONS | MATERIAL       | FINISH                          | REMARKS               |
|       | DRAWING NO.  | EDC3-633754-00 |                                 | PART NO. CX90MW9-24P* |
| SCALE | 4:1          |                |                                 |                       |
| UNITS | mm           |                | CODE NO. ④⑤ CL ****-****-**-*** | 2/2                   |

HRS DRAWING FOR REFERENCE

## X-ON Electronics

Largest Supplier of Electrical and Electronic Components

*Click to view similar products for [USB Connectors](#) category:*

*Click to view products by [Hirose](#) manufacturer:*

Other Similar products are found below :

[950](#) [A-USB A-LP-SMT-C](#) [A-USB B-TOP-C](#) [MUSBD11135](#) [17-200721](#) [217450-1](#) [KMBVX-TH-5S-B30](#) [KUSBX-AS2N-W](#) [KUSBX-SMT2AP1S-W30](#) [935](#) [957](#) [30-498-6](#) [SK-60A-2](#) [1734082-1](#) [30-470](#) [30-489](#) [30-541](#) [MIKROE-1451](#) [USBFTVSCCG](#) [1-1734084-2](#) [10135326-001LF](#) [USB3FTV7APEG](#) [4198](#) [1310-1023-02](#) [690-024-633-031](#) [UB-20PMFP-LC7001](#) [17-200011](#) [UB-20AFMM-LL7A01](#) [1040870124](#) [CAP-WCCMLPB1](#) [2274475-3](#) [UB-20BMFA-SL8001](#) [UB-20BFM-SA7A02](#) [UB-20BFM-SA7A05](#) [914-614A2025S10200](#) [MUSBR-AHD2-M41-SK](#) [ZX40-B-5S-1500-STDA\(30\)](#) [GSB3116344HR](#) [USB3FTV2SAZNF459](#) [USBF21GSCC](#) [U221-041N-1WVS62-F5D](#) [HYCW153-USBD05-500B](#) [HYCW219-USBD05-075B](#) [HYCW148-USBD05-117B](#) [HYCW149-USBD05-740B](#) [HYCW204-USBD05-108B](#) [HYCW214-USBA04-113B](#) [HYCW213-USBA04-113B](#) [UB-20AMFM-SL7A01](#) [KMMX-BSMT35S-1-B30TR](#)