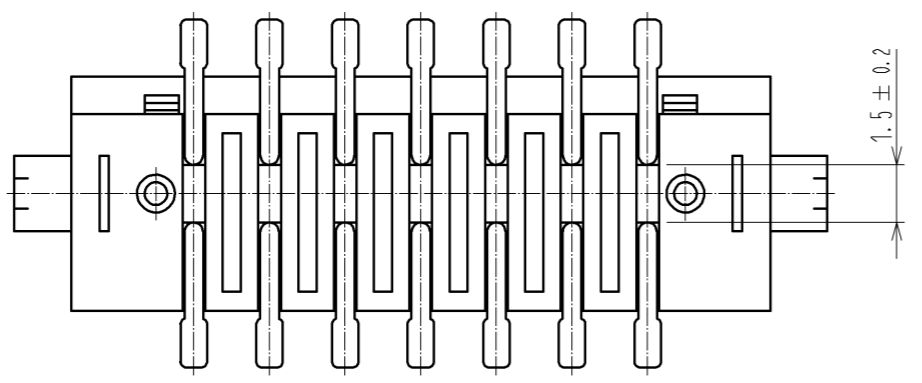
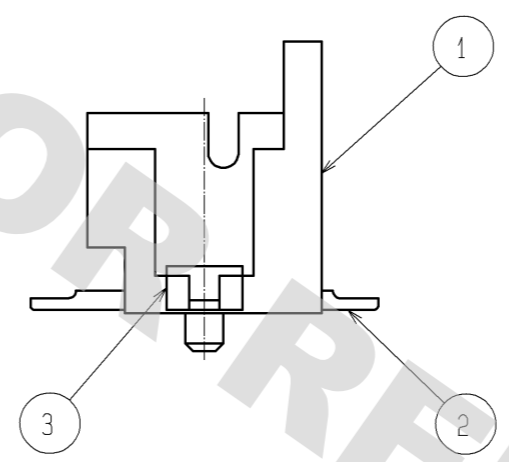
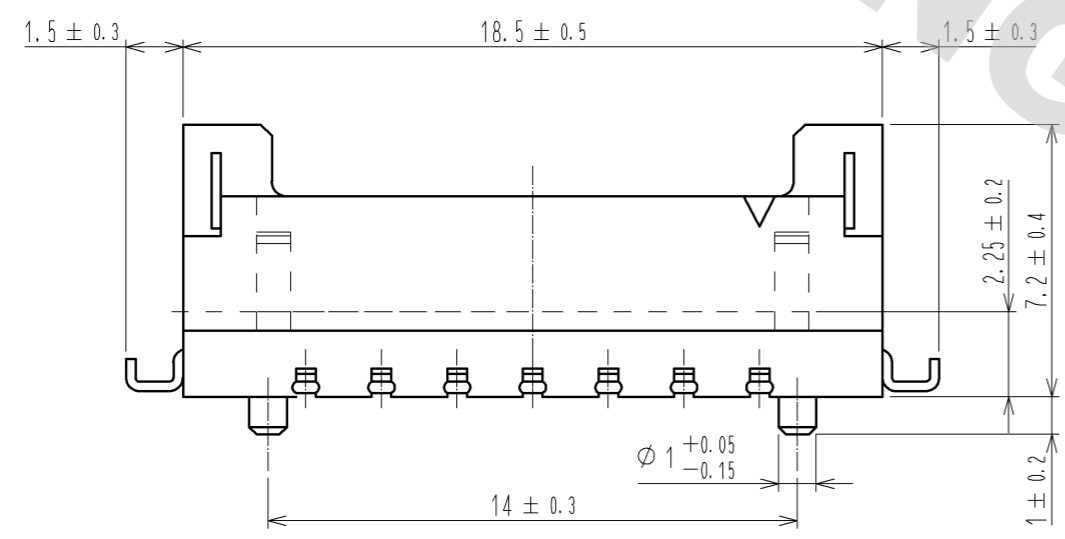
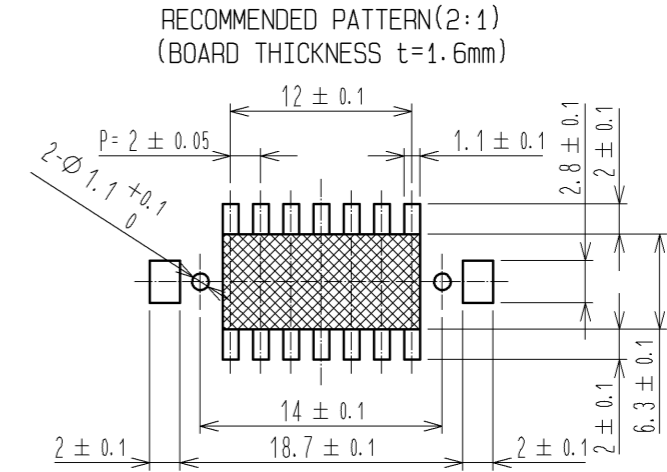
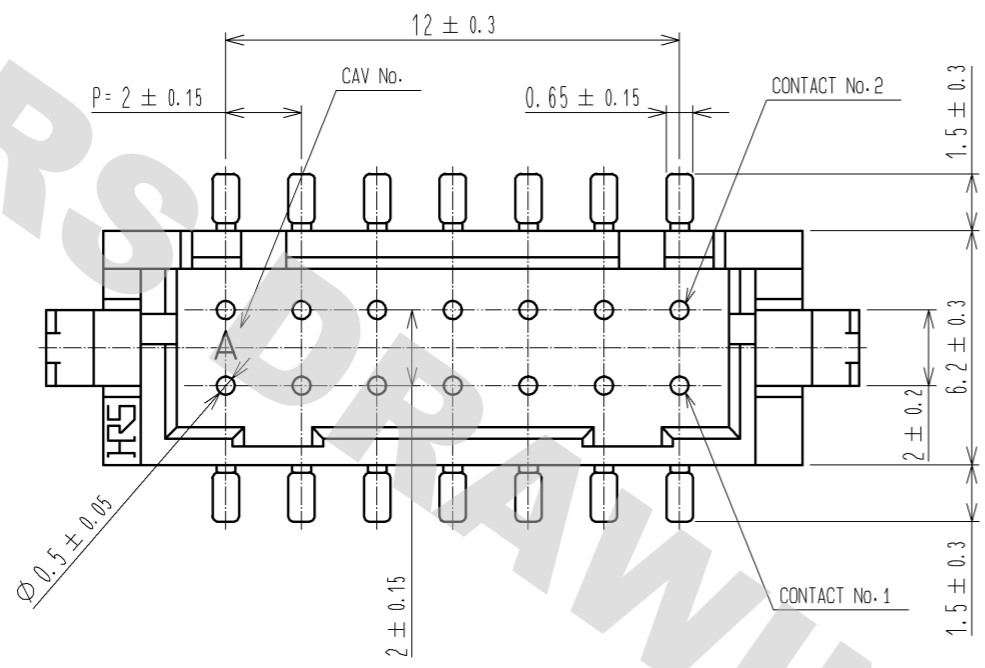


DRAWING FOR REFERENCE: This is subject to change without notice  
08/11/2012



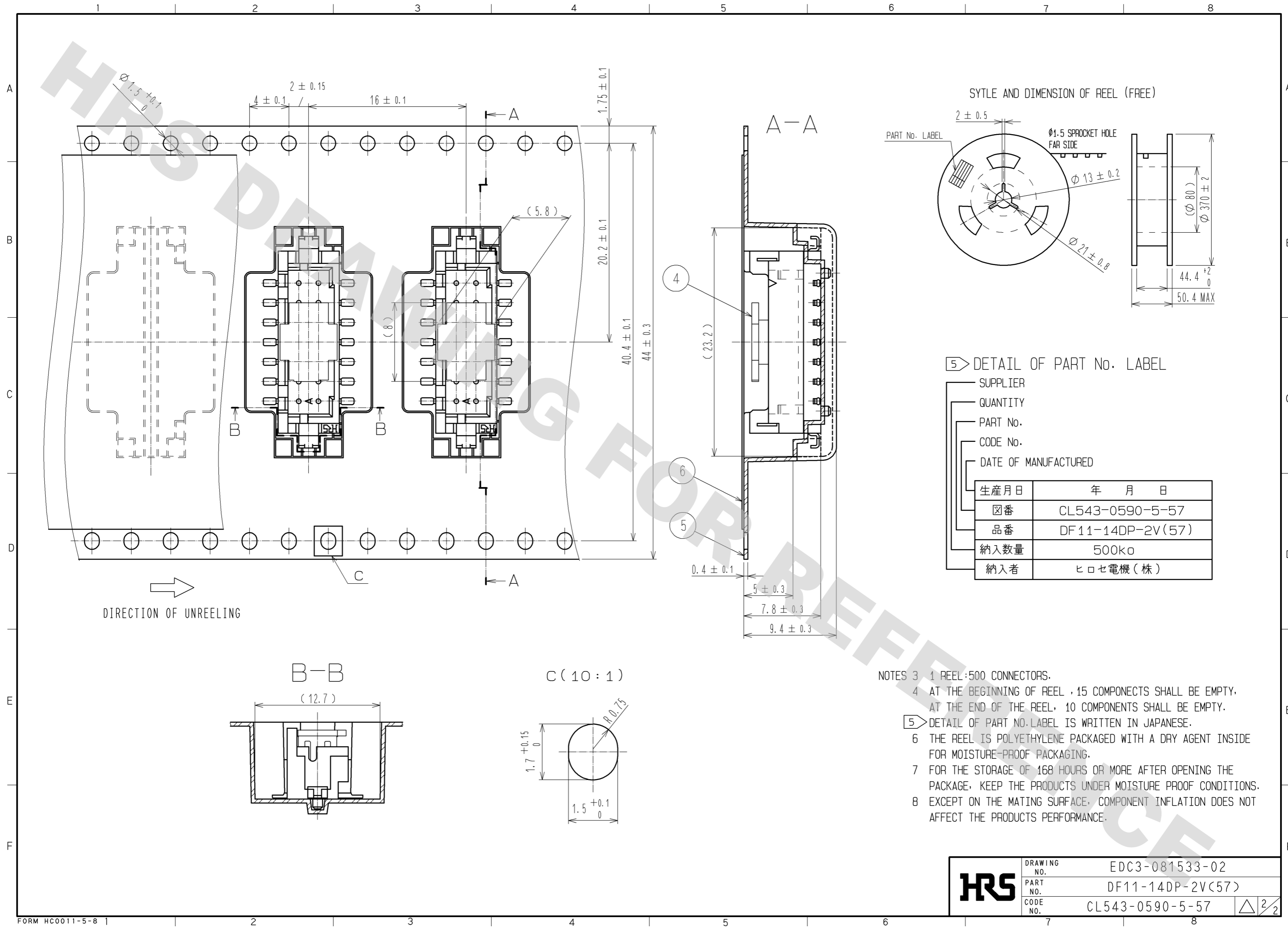
NOTE 1 LEAD CO-PLANALITY INCLUDE REINFORCED METAL FITTING SHALL BE 0.1mmMAX.  
2 WHEN A PART MARKED WITH HAS A PATTERN AND NO RESIST ON IT, USE CARE TO PREVENT THE CONNECTOR TERMINAL FROM CONTACTING IT.

NO.	MATERIAL	FINISH	REMARKS	NO.	MATERIAL	FINISH	REMARKS
3	BRASS	SURFACE:TIN PLATED	1µm min	6	POLYESTER	CLEAR	COVER TAPE
2	BRASS	SURFACE:GOLDE PLATED	0.2µm min	5	PS	EMBOSSED	CARRIER TAPE, CLEAR
1	POLYAMIDE	BEIGE	UL94V-0	4	POLYAMIDE	CAP	BLACK

UNITS	SCALE	COUNT	DESCRIPTION OF REVISIONS	DESIGNED	CHECKED	DATE
mm	5 : 1	△				
APPROVED : TS. SAKATA			08.10.20	DRAWING NO. EDC3-081533-02		
CHECKED : TS. KUMAZAWA			08.10.16	PART NO. DF11-14DP-2V(57)		
DESIGNED : KT. ISHII			08.10.01	CODE NO. CL543-0590-5-57		
DRAWN : KT. ISHII			08.10.01	△ 1/2		

DRAWING FOR REFERENCE: This is subject to change without notice  
08/11/2012



5) DETAIL OF PART No. LABEL

SUPPLIER	
QUANTITY	
PART No.	
CODE No.	
DATE OF MANUFACTURED	
生産月日	年 月 日
図番	CL543-0590-5-57
品番	DF11-14DP-2V(57)
納入数量	500ko
納入者	ヒロセ電機(株)

- NOTES
- 1 REEL:500 CONNECTORS.
  - 4 AT THE BEGINNING OF REEL, 15 COMPONENTS SHALL BE EMPTY. AT THE END OF THE REEL, 10 COMPONENTS SHALL BE EMPTY.
  - 5) DETAIL OF PART No. LABEL IS WRITTEN IN JAPANESE.
  - 6 THE REEL IS POLYETHYLENE PACKAGED WITH A DRY AGENT INSIDE FOR MOISTURE-PROOF PACKAGING.
  - 7 FOR THE STORAGE OF 168 HOURS OR MORE AFTER OPENING THE PACKAGE, KEEP THE PRODUCTS UNDER MOISTURE PROOF CONDITIONS.
  - 8 EXCEPT ON THE MATING SURFACE, COMPONENT INFLATION DOES NOT AFFECT THE PRODUCTS PERFORMANCE.

<b>HRS</b>	DRAWING NO.	EDC3-081533-02
	PART NO.	DF11-14DP-2V(57)
	CODE NO.	CL543-0590-5-57
		$\triangle$ 2/2

## X-ON Electronics

Largest Supplier of Electrical and Electronic Components

*Click to view similar products for [Headers & Wire Housings](#) category:*

*Click to view products by [Hirose](#) manufacturer:*

Other Similar products are found below :

[892-18-020-10-001101](#) [58102-G61-06LF](#) [582553-1](#) [0009485154](#) [009176003701906](#) [0050291907](#) [LY20-4P-DT1-P1E-BR](#) [02.125.8002.8](#)  
[609-3404](#) [61062-3](#) [622-0430](#) [622-3653LF](#) [63453-116](#) [636-1030](#) [636-1427](#) [636-3427](#) [636-4007](#) [641938-9](#) [641991-4](#) [644827-2](#) [65817-010LF](#)  
[65817-015LF](#) [65863-015LF](#) [66207-023LF](#) [67095-007LF](#) [67601157](#) [68648-049](#) [70.362.1628.0](#) [70-4210](#) [70-4226B](#) [70-4853B](#) [707-5020](#) [707-](#)  
[5028](#) [71.350.2428.0](#) [71918-208LF](#) [71961-016LF](#) [733-134](#) [733-162](#) [754199-000](#) [760-3052](#) [787-8014-00](#) [79531-3000](#) [FCN-360C032-B](#) [FCN-](#)  
[367T-T012/H](#) [FCN-723D010/2](#) [80.063.4001.1](#) [800-90-001-10-001000](#) [800-90-010-10-002000](#) [801-43-002-10-013000](#) [801-43-006-10-002000](#)