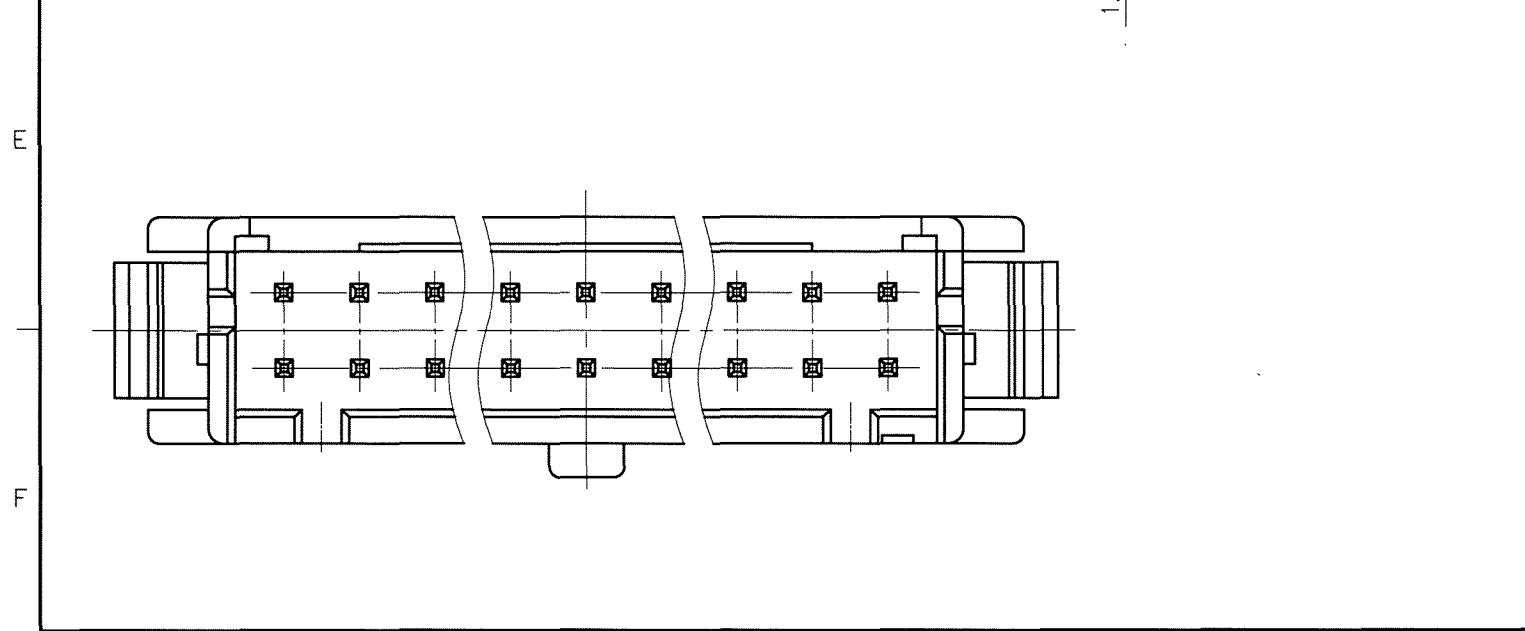
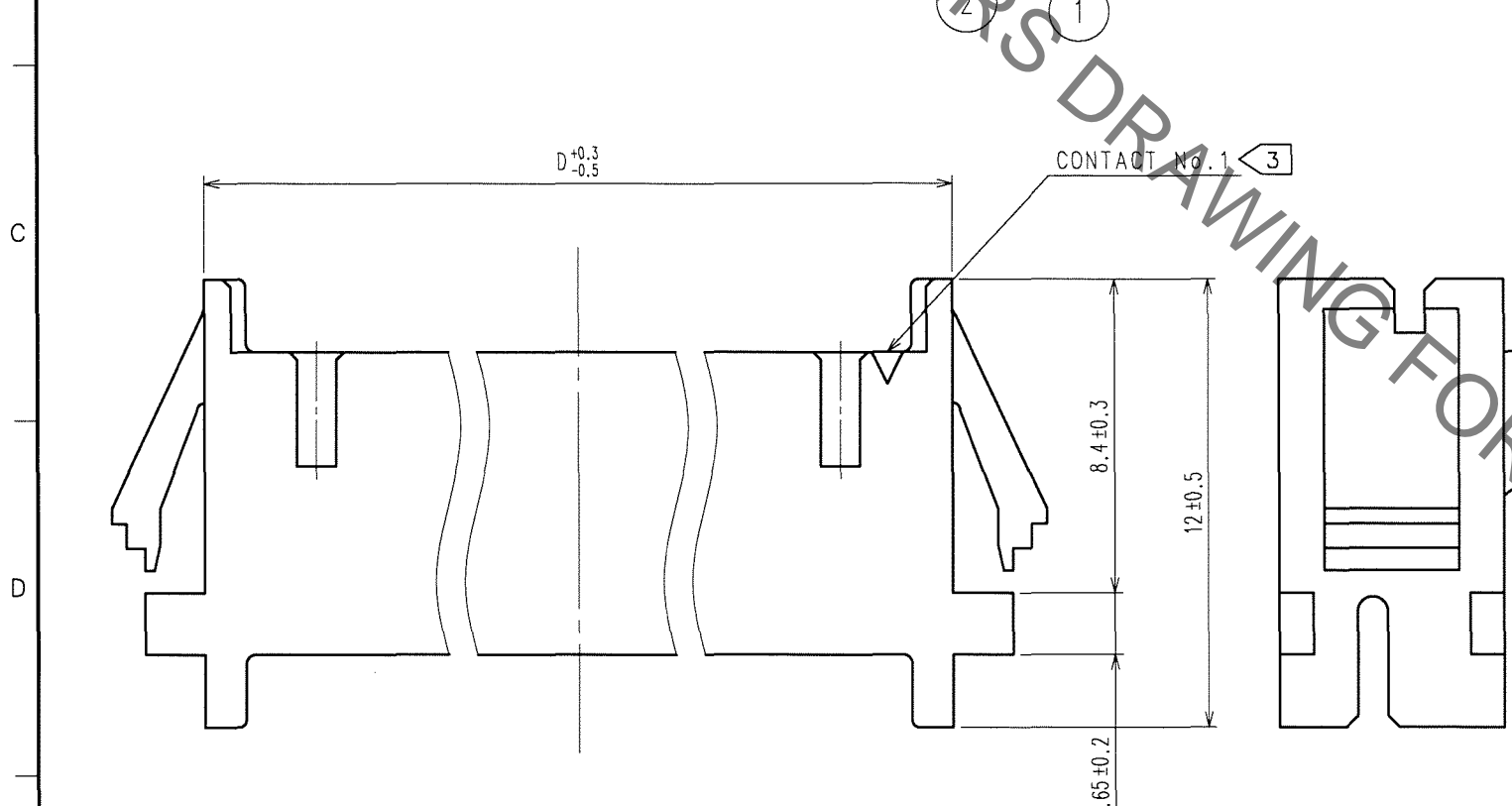
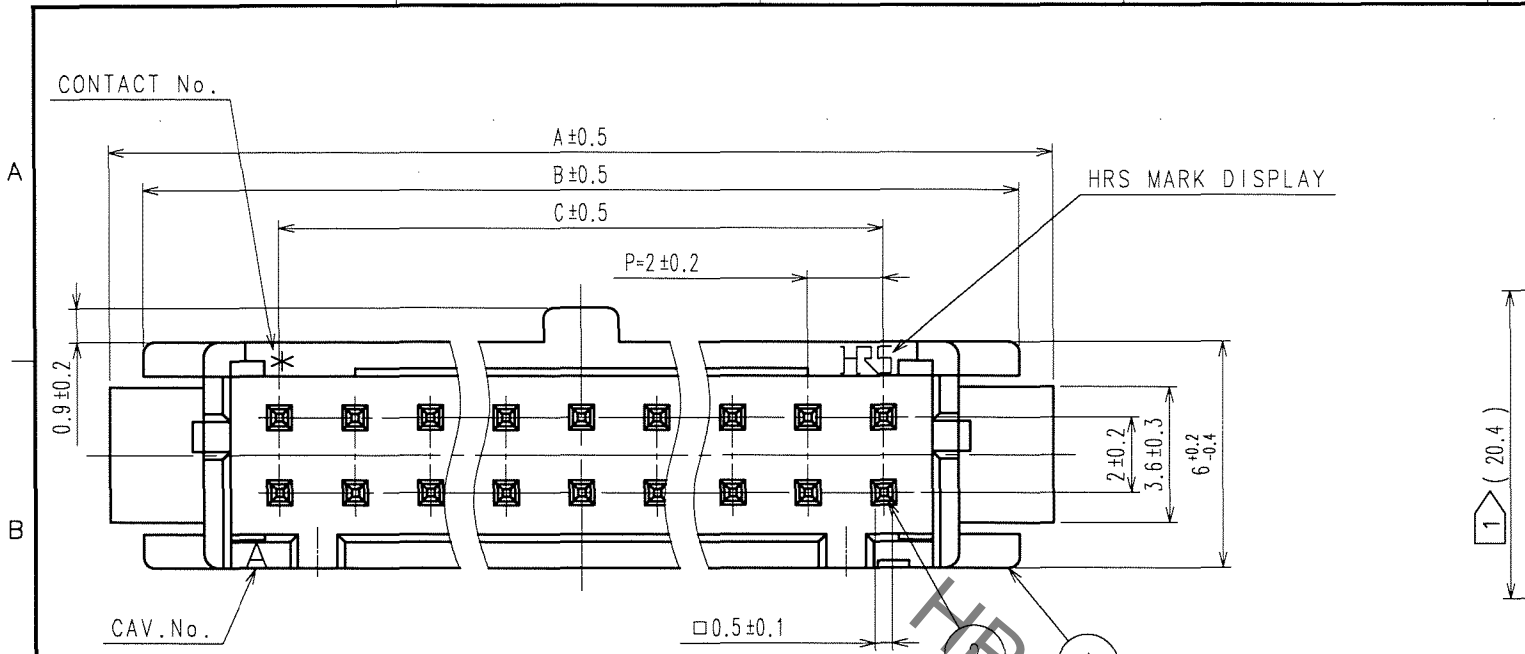
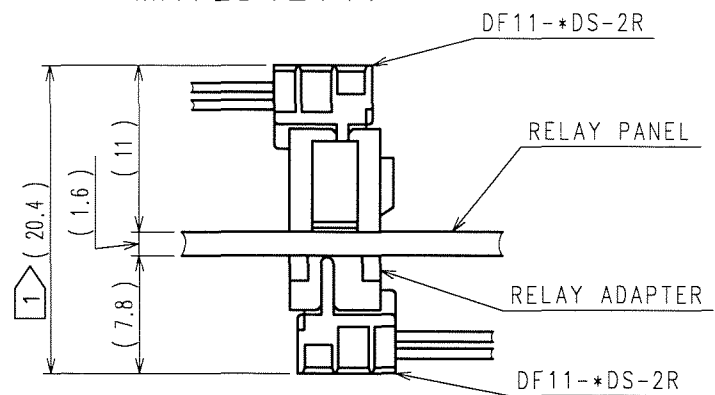


Jul.1.2021 Copyright 2021 HIROSE ELECTRIC CO., LTD. All Rights Reserved.  
 In case of consideration for using Automotive equipment / device which demand high reliability, kindly contact our sales window correspondents.

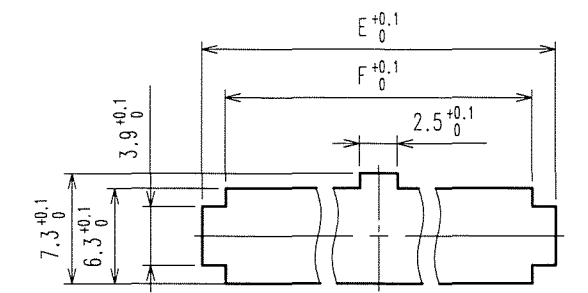
COUNT	DESCRIPTION OF REVISIONS	BY	CHKD	DATE	COUNT	DESCRIPTION OF REVISIONS	BY	CHKD	DATE
△					△				
△					△				
△					△				



MATED (2:1)

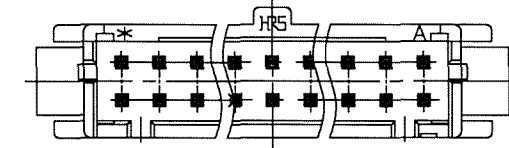


PANEL SIZE FIGURE (2:1)



PART No.	CODE No.	A	B	C	D	E	F
DF11- 4DEP-2A	CL543-0698-1-00	11.0	9.2	2.0	6.0	9.4	6.3
DF11- 6DEP-2A	CL543-0699-4-00	13.0	11.2	4.0	8.0	11.4	8.3
DF11- 8DEP-2A	CL543-0700-1-00	15.0	13.2	6.0	10.0	13.4	10.3
DF11-10DEP-2A	CL543-0701-4-00	17.0	15.2	8.0	12.0	15.4	12.3
DF11-12DEP-2A	CL543-0702-7-00	19.0	17.2	10.0	14.0	17.4	14.3
DF11-14DEP-2A	CL543-0703-0-00	21.0	19.2	12.0	16.0	19.4	16.3
DF11-16DEP-2A	CL543-0704-2-00	23.0	21.2	14.0	18.0	21.4	18.3
DF11-18DEP-2A	CL543-0705-5-00	25.0	23.2	16.0	20.0	23.4	20.3
DF11-20DEP-2A	CL543-0706-8-00	27.0	25.2	18.0	22.0	25.4	22.3
DF11-22DEP-2A	CL543-0707-6-00	29.0	27.2	20.0	24.0	27.4	24.3
DF11-24DEP-2A	CL543-0708-3-00	31.0	29.2	22.0	26.0	29.4	26.3
DF11-26DEP-2A	CL543-0709-6-00	33.0	31.2	24.0	28.0	31.4	28.3
DF11-28DEP-2A	CL543-0710-5-00	35.0	33.2	26.0	30.0	33.4	30.3
DF11-30DEP-2A	CL543-0711-8-00	37.0	35.2	28.0	32.0	35.4	32.3
DF11-32DEP-2A	CL543-0712-0-00	39.0	37.2	30.0	34.0	37.4	34.3

- NOTES:
- ① IN COMBINATION WITH DF11-\*DS-2C, IT IS 16.9 mm.
  - ② THE THICKNESS OF A CONFORMITY PANEL IS 1 mm TO 1.6 mm. (THICKNESS OF SOME ARISES EXCEPT 1.2 mm OR 1.6 mm.)
  - ③ TERMINAL NO.1 TO THE SOCKET WHICH MATED IS EXPRESSED. KEEP IN MIND THAT THE CIRCUIT AT THE TIME OF CARRYING OUT SOCKET MATED BECOMES BOTH SIDES WITH TERMINAL NO.1 OF A SOCKET 1, AND CONNECTION OF A SOCKET 2 OF TERMINAL NO.2.
  - ④ THE POSITION OF HRS MARK AND CAV. MARK ALSO HAS THE CASE OF THE FOLLOWING FIGURE.



1	POLYAMIDE	UL94V-0, BLACK	2	BRASS	SURFACE: TIN PLATED 1μm min UNDER PLATING: NICKEL PLATED 0.5μm min
NO.	MATERIAL	FINISH, REMARKS	NO.	MATERIAL	FINISH, REMARKS
CODE NO. (OLD)			DRAWN	DESIGNED	CHECKED
			A.Miura	N. Hirose	H. Umehara
			'06.10.03	'06.10.03	'06.10.03
			APPROVED	RELEASED	
			J. Ono		
DRAWING NO.			PART NO.		
EDC3-313906-00			DF11-*DEP-2A		
UNITS			CODE NO.		
mm			CL543-		

TO

## X-ON Electronics

Largest Supplier of Electrical and Electronic Components

*Click to view similar products for [Headers & Wire Housings](#) category:*

*Click to view products by [Hirose](#) manufacturer:*

Other Similar products are found below :

[892-18-020-10-001101](#) [58102-G61-06LF](#) [582553-1](#) [0009485154](#) [009176003701906](#) [0050291907](#) [LY20-4P-DT1-P1E-BR](#) [02.125.8002.8](#)  
[609-3404](#) [61062-3](#) [622-0430](#) [622-3653LF](#) [63453-116](#) [636-1030](#) [636-1427](#) [636-3427](#) [636-4007](#) [641938-9](#) [641991-4](#) [644827-2](#) [65817-010LF](#)  
[65817-015LF](#) [65863-015LF](#) [66207-023LF](#) [67095-007LF](#) [67601157](#) [68648-049](#) [70.362.1628.0](#) [70-4210](#) [70-4226B](#) [70-4853B](#) [707-5020](#) [707-5028](#) [71.350.2428.0](#) [71918-208LF](#) [71961-016LF](#) [733-134](#) [733-162](#) [754199-000](#) [760-3052](#) [787-8014-00](#) [79531-3000](#) [FCN-360C032-B](#) [FCN-367T-T012/H](#) [FCN-723D010/2](#) [80.063.4001.1](#) [800-90-001-10-001000](#) [800-90-010-10-002000](#) [801-43-002-10-013000](#) [801-43-006-10-002000](#)