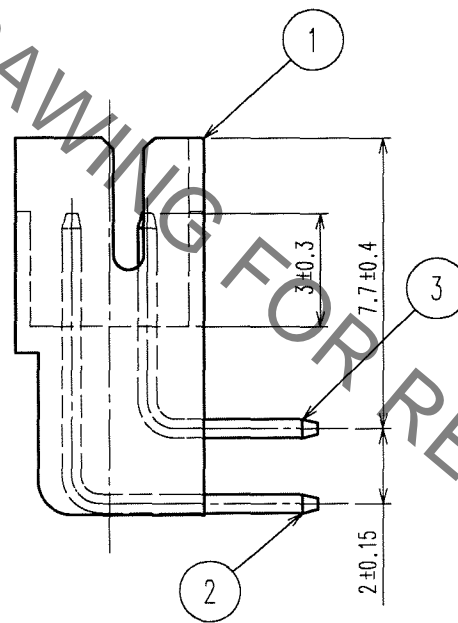
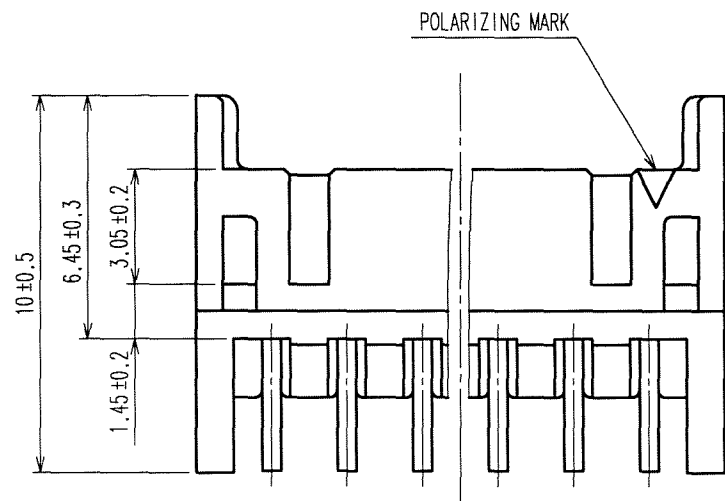
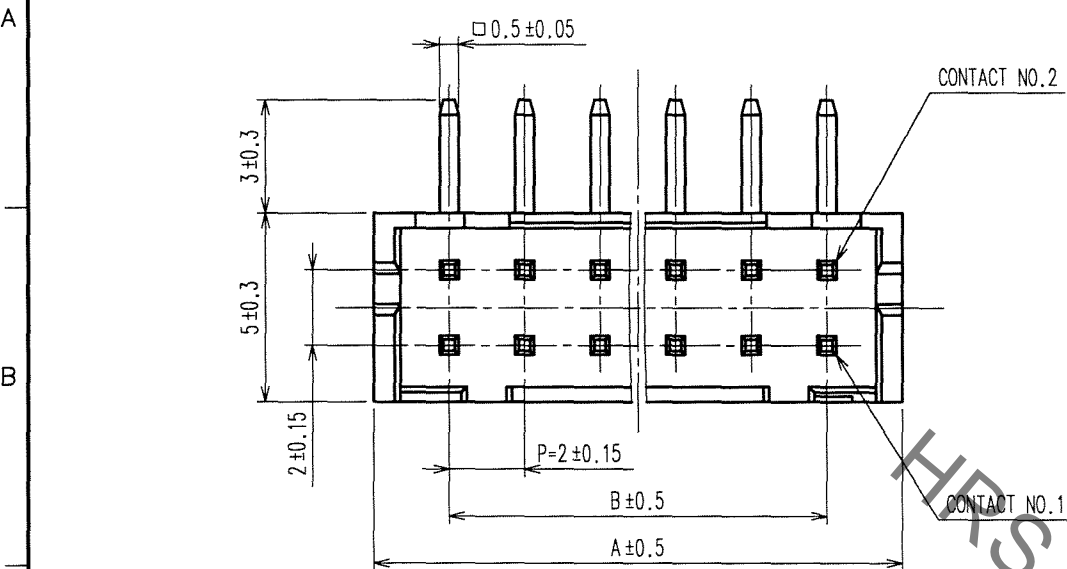


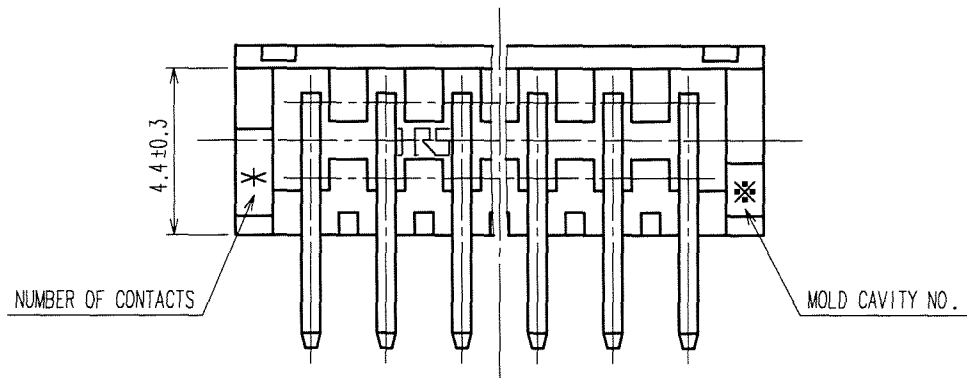
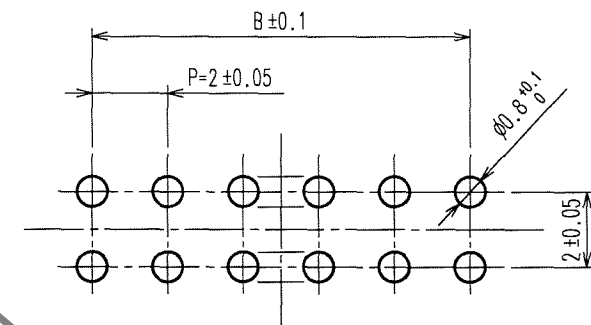
Jul.1.2021 Copyright 2021 HIROSE ELECTRIC CO., LTD. All Rights Reserved.
 In case of consideration for using Automotive equipment / device which demand high reliability, kindly contact our sales window correspondents.

COUNT	DESCRIPTION OF REVISIONS	BY	CHKD	DATE	COUNT	DESCRIPTION OF REVISIONS	BY	CHKD	DATE
2	DIS-H-000979	N.H	H.U	06-05-17					



HRS NO	PART NO	NUMBER OF CONTACT	A	B
CL543-0533-1-52	DF11- 4DP-2DS (52)	4	6	2
CL543-0534-4-52	DF11- 6DP-2DS (52)	6	8	4
CL543-0535-7-52	DF11- 8DP-2DS (52)	8	10	6
CL543-0536-0-52	DF11-10DP-2DS (52)	10	12	8
CL543-0537-2-52	DF11-12DP-2DS (52)	12	14	10
CL543-0538-5-52	DF11-14DP-2DS (52)	14	16	12
CL543-0539-8-52	DF11-16DP-2DS (52)	16	18	14
CL543-0540-7-52	DF11-18DP-2DS (52)	18	20	16
CL543-0541-0-52	DF11-20DP-2DS (52)	20	22	18
CL543-0542-2-52	DF11-22DP-2DS (52)	22	24	20
CL543-0543-5-01	DF11-24DP-2DS (52)	24	26	22
CL543-0544-8-01	DF11-26DP-2DS (52)	26	28	24
CL543-0545-0-01	DF11-28DP-2DS (52)	28	30	26
CL543-0546-3-01	DF11-30DP-2DS (52)	30	32	28
CL543-0547-6-01	DF11-32DP-2DS (52)	32	34	30

RECOMMENDED PATTERN



2	BRASS	SURFACE:GOLD PLATED 0.2 μ m min UNDER PLATING:NICKEL PLATED 1 μ m min	5	ELASTMER	STOPPER, CLEAR
1	POLYAMIDE	UL94V-0, BLACK	4	PS	ELECTROSTATIC PROTECTION, CLEAR
			3	BRASS	SURFACE:GOLD PLATED 0.2 μ m min UNDER PLATING:NICKEL PLATED 1 μ m min

NO.	MATERIAL	FINISH, REMARKS	NO.	MATERIAL	FINISH, REMARKS		
CODE NO. (OLD)	CL		DRAWN	DESIGNED	CHECKED	APPROVED	RELEASED
			Y.NAGASHIMA	T.Arai	C.Hanami	K.Katayose	
			'00.07.25	'00.08.07	'00.08.21	'00.08.21	

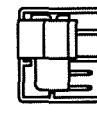
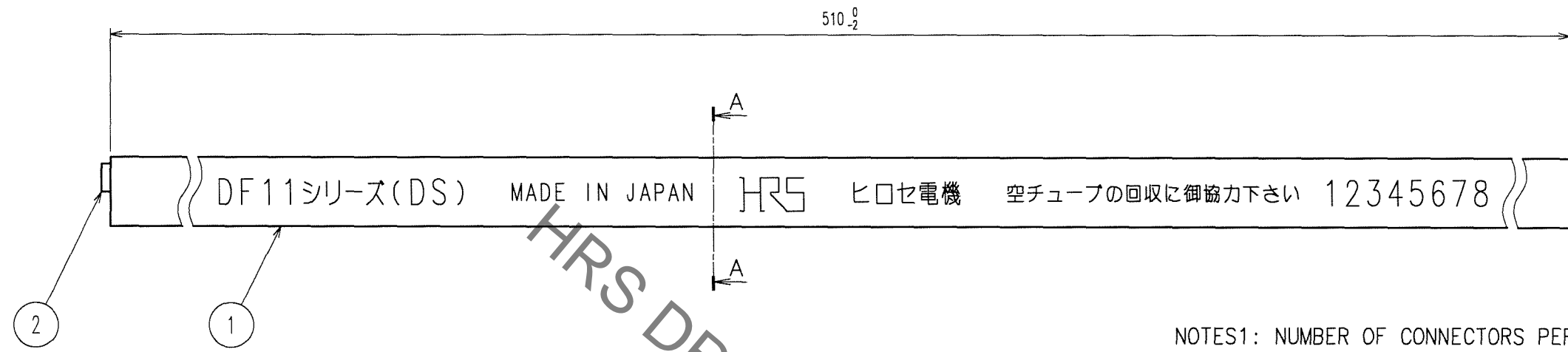
SCALE	5 : 1	DRAWING NO.	EDC3-162390-02	PART NO.	DF11-*DP-2DS(52)
UNITS	mm	HIROSE ELECTRIC CO., LTD		CODE NO.	CL543

TO

1/2

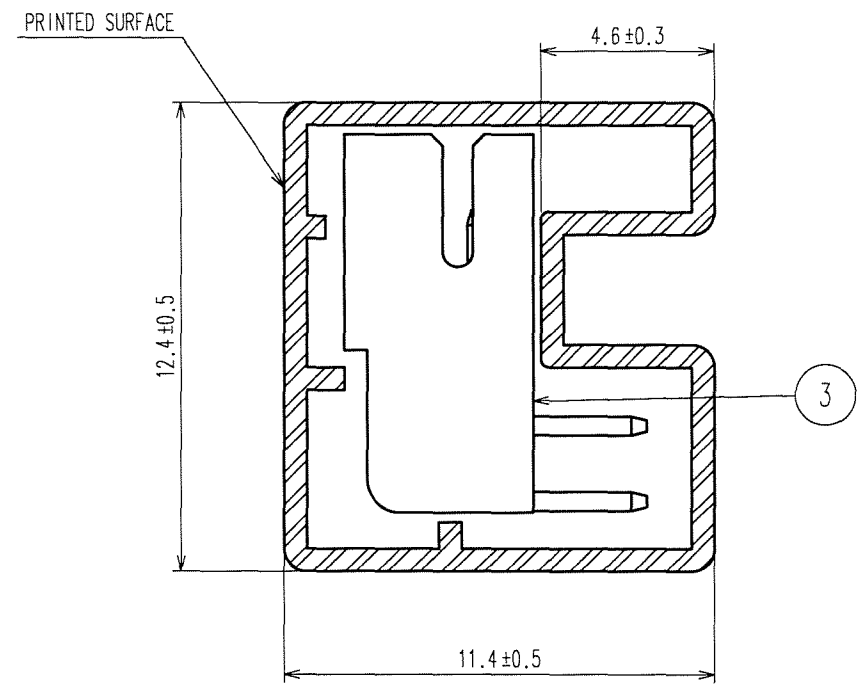
Jul.1.2021 Copyright 2021 HIROSE ELECTRIC CO., LTD. All Rights Reserved.
 In case of consideration for using Automotive equipment / device which demand high reliability, kindly contact our sales window correspondents.

COUNT	DESCRIPTION OF REVISIONS	BY	CHKD	DATE	COUNT	DESCRIPTION OF REVISIONS	BY	CHKD	DATE
△				..	△				..
△				..	△				..
△				..	△				..



NOTES1: NUMBER OF CONNECTORS PER A TUBE SHALL BE IN ACCORDANCE WITH THE LIST BELOW.
 2: THESE CONNECTORS SHALL BE ON SALED IN ACCORDANCE WITH THE MULTIPLE QUANTITY ON THE LIST.

A-A (5:1)



CODE No.	PART No.	NUMBER OF CONNECTORS
543-0533-1-52	DF11- 4DP-2DS (52)	81
543-0534-4-52	DF11- 6DP-2DS (52)	61
543-0535-7-52	DF11- 8DP-2DS (52)	48
543-0536-0-52	DF11-10DP-2DS (52)	40
543-0537-2-52	DF11-12DP-2DS (52)	34
543-0538-5-52	DF11-14DP-2DS (52)	30
543-0539-8-52	DF11-16DP-2DS (52)	27
543-0540-7-52	DF11-18DP-2DS (52)	24
543-0541-0-52	DF11-20DP-2DS (52)	22
543-0542-2-52	DF11-22DP-2DS (52)	20
543-0543-5-52	DF11-24DP-2DS (52)	18
543-0544-8-52	DF11-26DP-2DS (52)	17
543-0545-0-52	DF11-28DP-2DS (52)	16
543-0546-3-52	DF11-30DP-2DS (52)	15
543-0547-6-52	DF11-32DP-2DS (52)	14

TO

CODE NO. (OLD) CL	DRAWN Y.NAGASHIMA '00.07.25	DESIGNED T.Arai '00.08.07	CHECKED C.Hanami '00.08.21	APPROVED K.Katayose '00.08.21	RELEASED
SCALE FR:EE	DRAWING NO. EDC3-162390-02		PART NO. DF11-*DP-2DS(52)		
UNITS mm	HRS HIROSE ELECTRIC CO., LTD		CODE NO. CL543		2

X-ON Electronics

Largest Supplier of Electrical and Electronic Components

Click to view similar products for [Headers & Wire Housings](#) category:

Click to view products by [Hirose](#) manufacturer:

Other Similar products are found below :

[892-18-020-10-001101](#) [58102-G61-06LF](#) [582553-1](#) [0009485154](#) [009176003701906](#) [0050291907](#) [LY20-4P-DT1-P1E-BR](#) [02.125.8002.8](#)
[609-3404](#) [61062-3](#) [622-0430](#) [622-3653LF](#) [63453-116](#) [636-1030](#) [636-1427](#) [636-3427](#) [636-4007](#) [641938-9](#) [641991-4](#) [644827-2](#) [65817-010LF](#)
[65817-015LF](#) [65863-015LF](#) [66207-023LF](#) [67095-007LF](#) [67601157](#) [68648-049](#) [70.362.1628.0](#) [70-4210](#) [70-4226B](#) [70-4853B](#) [707-5020](#) [707-5028](#) [71.350.2428.0](#) [71918-208LF](#) [71961-016LF](#) [733-134](#) [733-162](#) [754199-000](#) [760-3052](#) [787-8014-00](#) [79531-3000](#) [FCN-360C032-B](#) [FCN-367T-T012/H](#) [FCN-723D010/2](#) [80.063.4001.1](#) [800-90-001-10-001000](#) [800-90-010-10-002000](#) [801-43-002-10-013000](#) [801-43-006-10-002000](#)