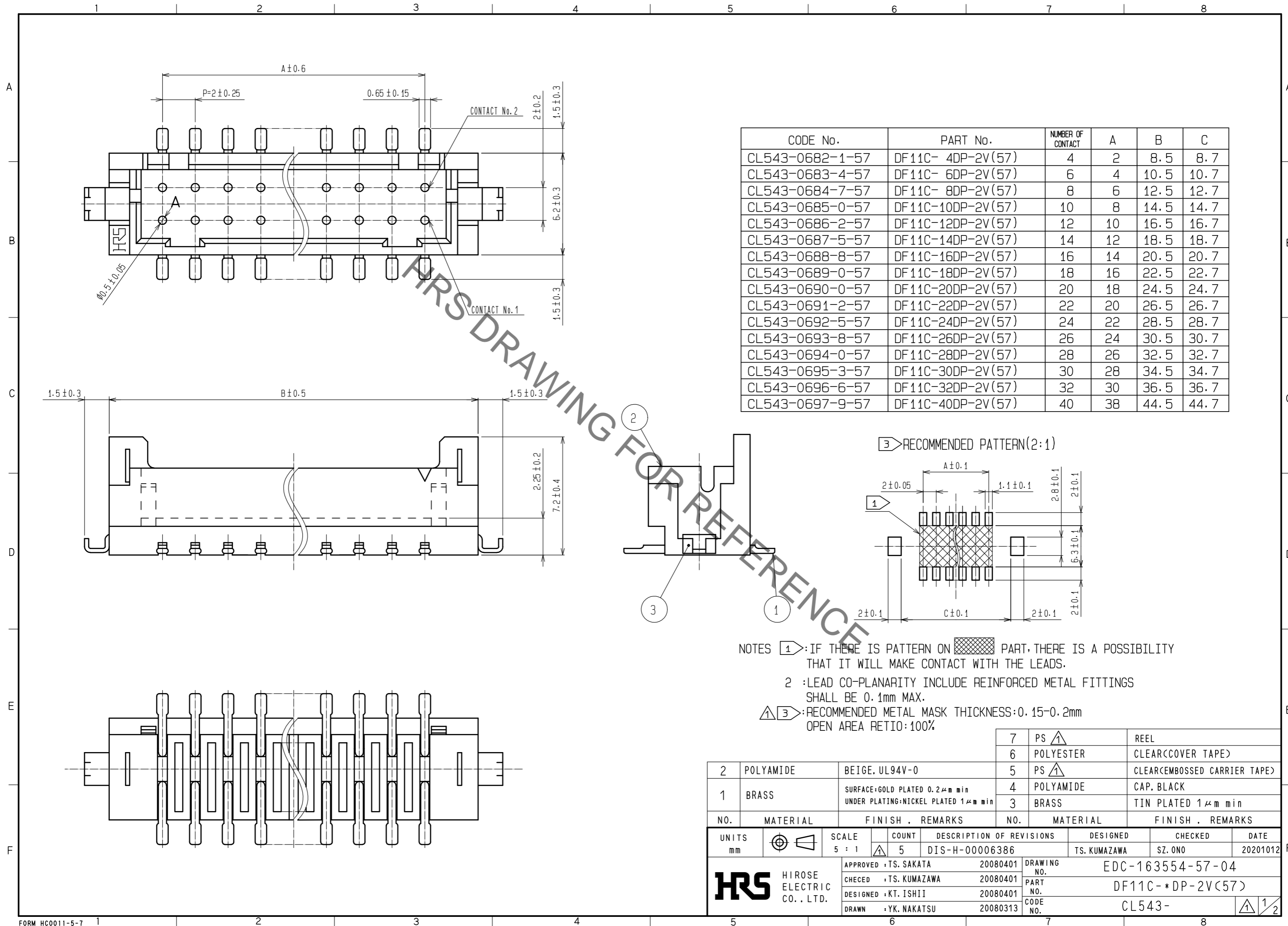


Jul.1.2021 Copyright 2021 HIROSE ELECTRIC CO., LTD. All Rights Reserved.  
 In case of consideration for using Automotive equipment / device which demand high reliability, kindly contact our sales window correspondents.



CODE No.	PART No.	NUMBER OF CONTACT	A	B	C
CL543-0682-1-57	DF11C- 4DP-2V(57)	4	2	8.5	8.7
CL543-0683-4-57	DF11C- 6DP-2V(57)	6	4	10.5	10.7
CL543-0684-7-57	DF11C- 8DP-2V(57)	8	6	12.5	12.7
CL543-0685-0-57	DF11C-10DP-2V(57)	10	8	14.5	14.7
CL543-0686-2-57	DF11C-12DP-2V(57)	12	10	16.5	16.7
CL543-0687-5-57	DF11C-14DP-2V(57)	14	12	18.5	18.7
CL543-0688-8-57	DF11C-16DP-2V(57)	16	14	20.5	20.7
CL543-0689-0-57	DF11C-18DP-2V(57)	18	16	22.5	22.7
CL543-0690-0-57	DF11C-20DP-2V(57)	20	18	24.5	24.7
CL543-0691-2-57	DF11C-22DP-2V(57)	22	20	26.5	26.7
CL543-0692-5-57	DF11C-24DP-2V(57)	24	22	28.5	28.7
CL543-0693-8-57	DF11C-26DP-2V(57)	26	24	30.5	30.7
CL543-0694-0-57	DF11C-28DP-2V(57)	28	26	32.5	32.7
CL543-0695-3-57	DF11C-30DP-2V(57)	30	28	34.5	34.7
CL543-0696-6-57	DF11C-32DP-2V(57)	32	30	36.5	36.7
CL543-0697-9-57	DF11C-40DP-2V(57)	40	38	44.5	44.7

- NOTES 1: IF THERE IS PATTERN ON PART, THERE IS A POSSIBILITY THAT IT WILL MAKE CONTACT WITH THE LEADS.  
2: LEAD CO-PLANARITY INCLUDE REINFORCED METAL FITTINGS SHALL BE 0.1mm MAX.  
3: RECOMMENDED METAL MASK THICKNESS: 0.15-0.2mm  
 OPEN AREA RETIO: 100%

NO.	MATERIAL	FINISH . REMARKS	NO.	MATERIAL	FINISH . REMARKS
2	POLYAMIDE	BEIGE, UL94V-0	7	PS	REEL
1	BRASS	SURFACE: GOLD PLATED 0.2μm min UNDER PLATING: NICKEL PLATED 1μm min	6	POLYESTER	CLEAR(COVER TAPE)
			5	PS	CLEAR(EMBOSSED CARRIER TAPE)
			4	POLYAMIDE	CAP. BLACK
			3	BRASS	TIN PLATED 1μm min

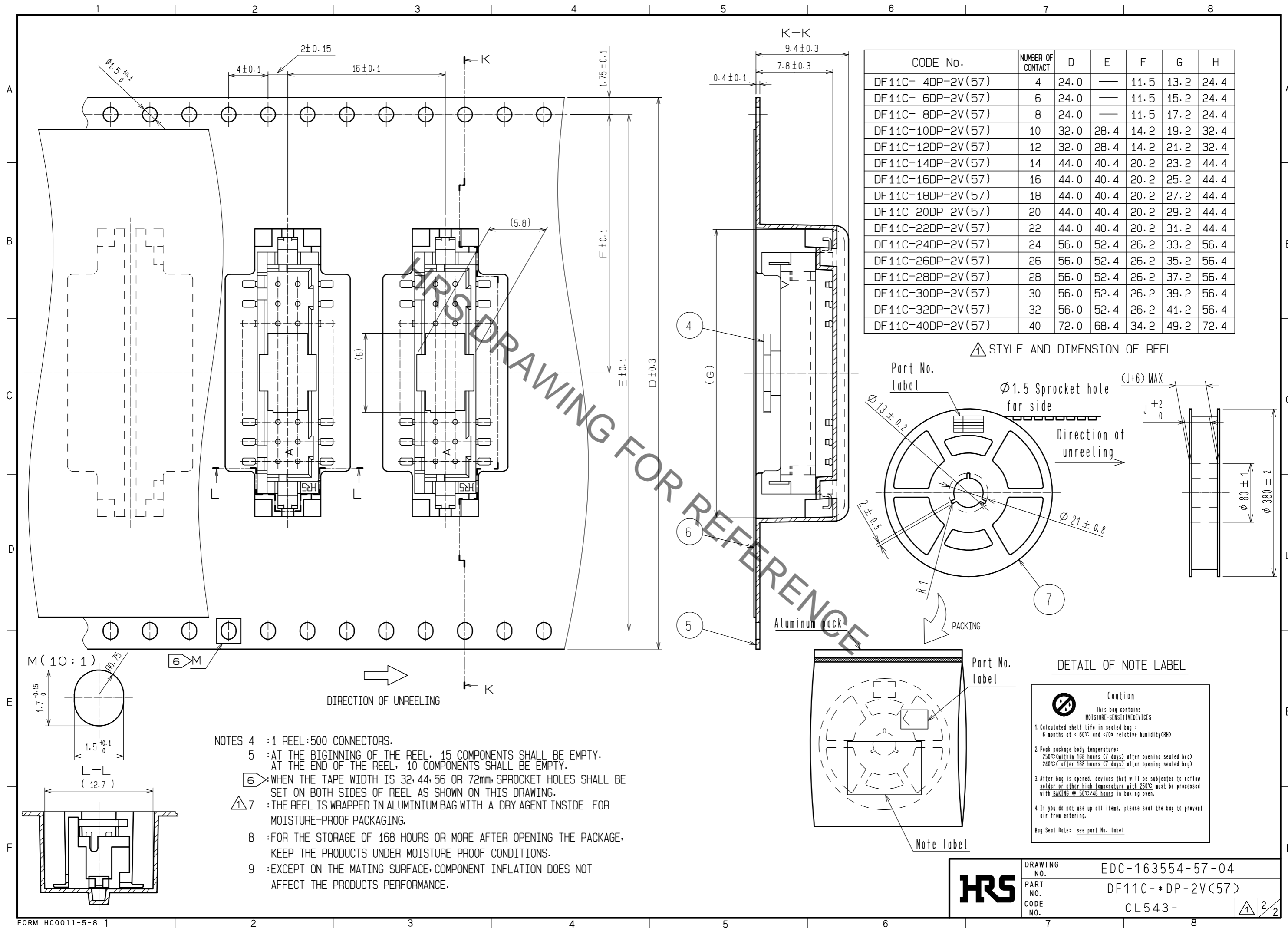
  

UNITS	SCALE	COUNT	DESCRIPTION OF REVISIONS	DESIGNED	CHECKED	DATE
mm	5 : 1	5	DIS-H-00006386	TS. KUMAZAWA	SZ. ONO	20201012

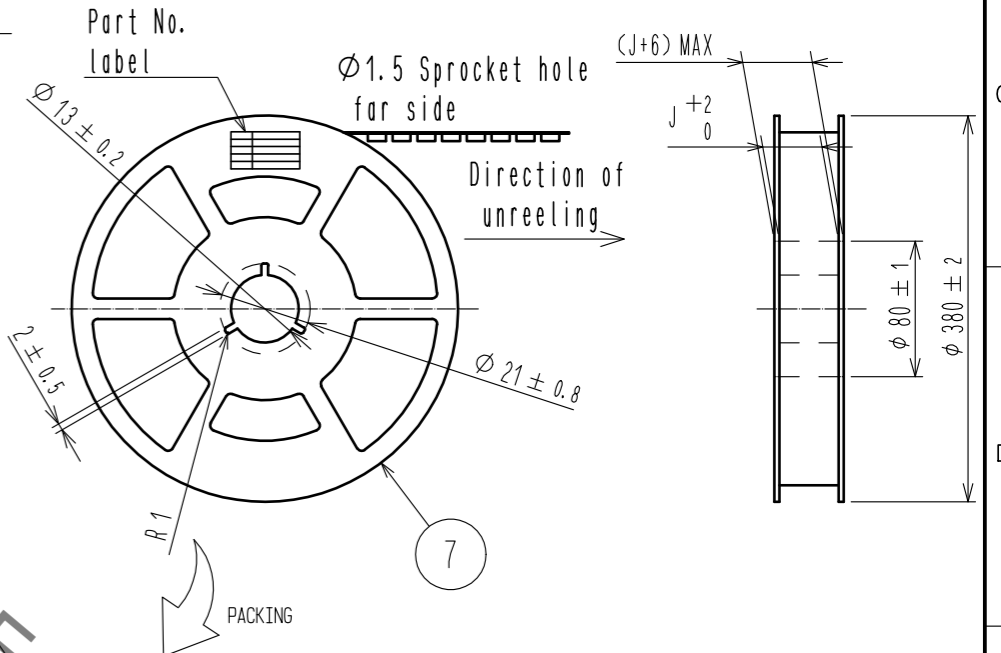
APPROVED	: TS. SAKATA	20080401	DRAWING NO.	EDC-163554-57-04
CHECKED	: TS. KUMAZAWA	20080401	PART NO.	DF11C- *DP-2V(57)
DESIGNED	: KT. ISHII	20080401	CODE NO.	CL543-
DRAWN	: YK. NAKATSU	20080313		

Jul.1.2021 Copyright 2021 HIROSE ELECTRIC CO., LTD. All Rights Reserved.  
 In case of consideration for using Automotive equipment / device which demand high reliability, kindly contact our sales window correspondents.



CODE No.	NUMBER OF CONTACT	D	E	F	G	H
DF11C- 4DP-2V(57)	4	24.0	—	11.5	13.2	24.4
DF11C- 6DP-2V(57)	6	24.0	—	11.5	15.2	24.4
DF11C- 8DP-2V(57)	8	24.0	—	11.5	17.2	24.4
DF11C-10DP-2V(57)	10	32.0	28.4	14.2	19.2	32.4
DF11C-12DP-2V(57)	12	32.0	28.4	14.2	21.2	32.4
DF11C-14DP-2V(57)	14	44.0	40.4	20.2	23.2	44.4
DF11C-16DP-2V(57)	16	44.0	40.4	20.2	25.2	44.4
DF11C-18DP-2V(57)	18	44.0	40.4	20.2	27.2	44.4
DF11C-20DP-2V(57)	20	44.0	40.4	20.2	29.2	44.4
DF11C-22DP-2V(57)	22	44.0	40.4	20.2	31.2	44.4
DF11C-24DP-2V(57)	24	56.0	52.4	26.2	33.2	56.4
DF11C-26DP-2V(57)	26	56.0	52.4	26.2	35.2	56.4
DF11C-28DP-2V(57)	28	56.0	52.4	26.2	37.2	56.4
DF11C-30DP-2V(57)	30	56.0	52.4	26.2	39.2	56.4
DF11C-32DP-2V(57)	32	56.0	52.4	26.2	41.2	56.4
DF11C-40DP-2V(57)	40	72.0	68.4	34.2	49.2	72.4

△ STYLE AND DIMENSION OF REEL



- NOTES
- 1 REEL :500 CONNECTORS.
  - AT THE BEGINNING OF THE REEL, 15 COMPONENTS SHALL BE EMPTY. AT THE END OF THE REEL, 10 COMPONENTS SHALL BE EMPTY.
  - WHEN THE TAPE WIDTH IS 32, 44, 56 OR 72mm, SPROCKET HOLES SHALL BE SET ON BOTH SIDES OF REEL AS SHOWN ON THIS DRAWING.
  - THE REEL IS WRAPPED IN ALUMINIUM BAG WITH A DRY AGENT INSIDE FOR MOISTURE-PROOF PACKAGING.
  - FOR THE STORAGE OF 168 HOURS OR MORE AFTER OPENING THE PACKAGE, KEEP THE PRODUCTS UNDER MOISTURE PROOF CONDITIONS.
  - EXCEPT ON THE MATING SURFACE, COMPONENT INFLATION DOES NOT AFFECT THE PRODUCTS PERFORMANCE.

DETAIL OF NOTE LABEL

**Caution**  
 This bag contains MOISTURE-SENSITIVE DEVICES

- Calculated shelf life in sealed bag :  
 6 months at < 60°C and < 70% relative humidity(RH)
- Peak package body temperature:  
 250°C (within 168 hours (7 days) after opening sealed bag)  
 240°C (after 168 hours (7 days) after opening sealed bag)
- After bag is opened, devices that will be subjected to reflow solder or other high temperature with 250°C must be processed with BAKING @ 50°C/48 hours in baking oven.
- If you do not use up all items, please seal the bag to prevent air from entering.

Bag Seal Date: see part No. label

<b>HRS</b>	DRAWING NO.	EDC-163554-57-04
	PART NO.	DF11C- *DP-2V(57)
	CODE NO.	CL543-

2/2

## X-ON Electronics

Largest Supplier of Electrical and Electronic Components

*Click to view similar products for [Headers & Wire Housings](#) category:*

*Click to view products by [Hirose](#) manufacturer:*

Other Similar products are found below :

[892-18-020-10-001101](#) [58102-G61-06LF](#) [582553-1](#) [0009485154](#) [009176003701906](#) [0050291907](#) [LY20-4P-DT1-P1E-BR](#) [02.125.8002.8](#)  
[609-3404](#) [61062-3](#) [622-0430](#) [622-3653LF](#) [63453-116](#) [636-1030](#) [636-1427](#) [636-3427](#) [636-4007](#) [641938-9](#) [641991-4](#) [644827-2](#) [65817-010LF](#)  
[65817-015LF](#) [65863-015LF](#) [66207-023LF](#) [67095-007LF](#) [67601157](#) [68648-049](#) [70.362.1628.0](#) [70-4210](#) [70-4226B](#) [70-4853B](#) [707-5020](#) [707-5028](#) [71.350.2428.0](#) [71918-208LF](#) [71961-016LF](#) [733-134](#) [733-162](#) [754199-000](#) [760-3052](#) [787-8014-00](#) [79531-3000](#) [FCN-360C032-B](#) [FCN-367T-T012/H](#) [FCN-723D010/2](#) [80.063.4001.1](#) [800-90-001-10-001000](#) [800-90-010-10-002000](#) [801-43-002-10-013000](#) [801-43-006-10-002000](#)