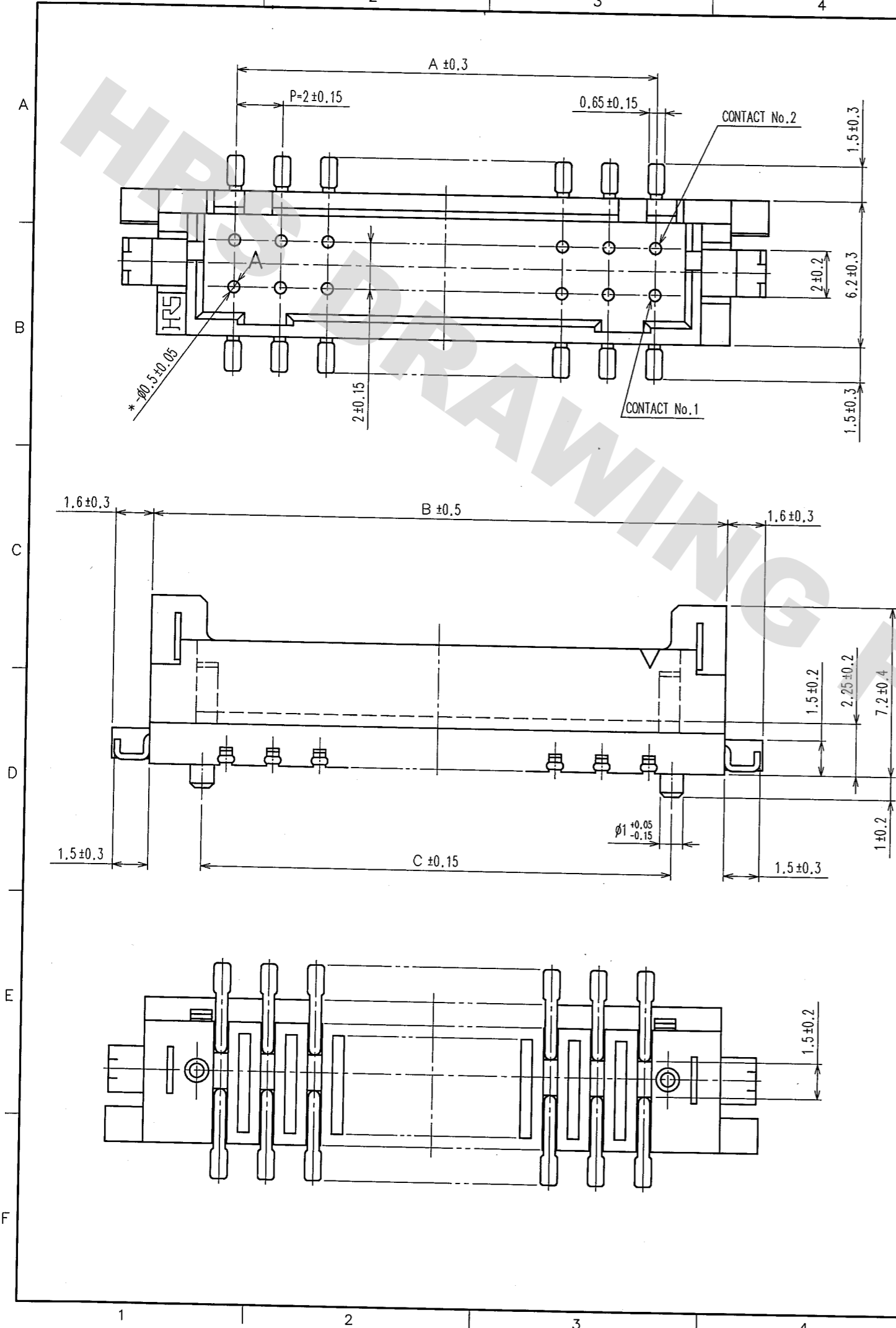


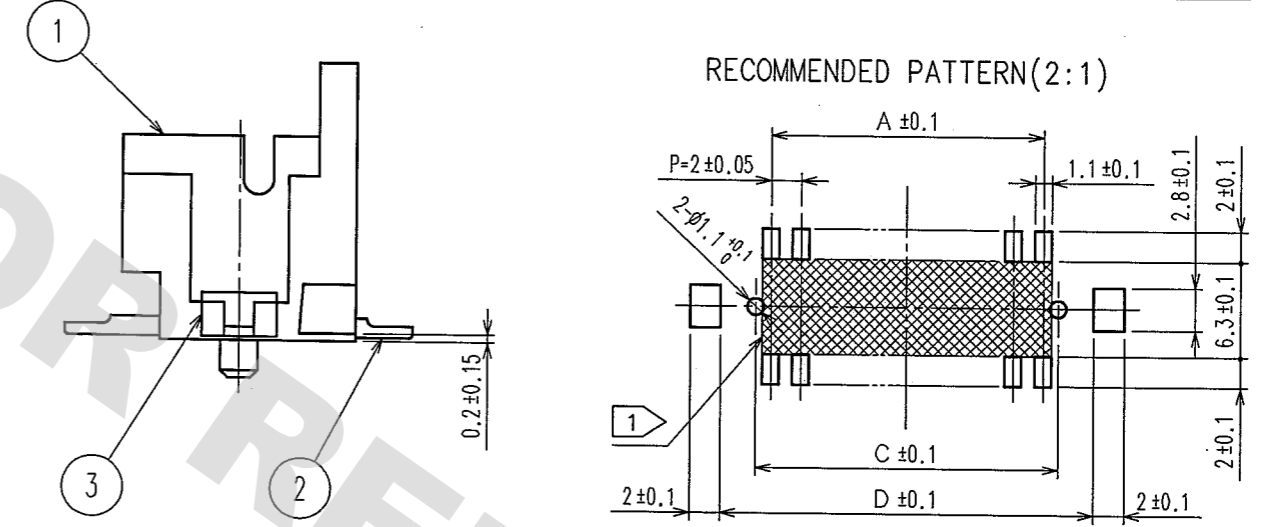
DRAWING FOR REFERENCE: This is subject to change without notice
08/11/2012

TO



COUNT	DESCRIPTION OF REVISIONS	BY	CHKD	DATE	COUNT	DESCRIPTION OF REVISIONS	BY	CHKD	DATE

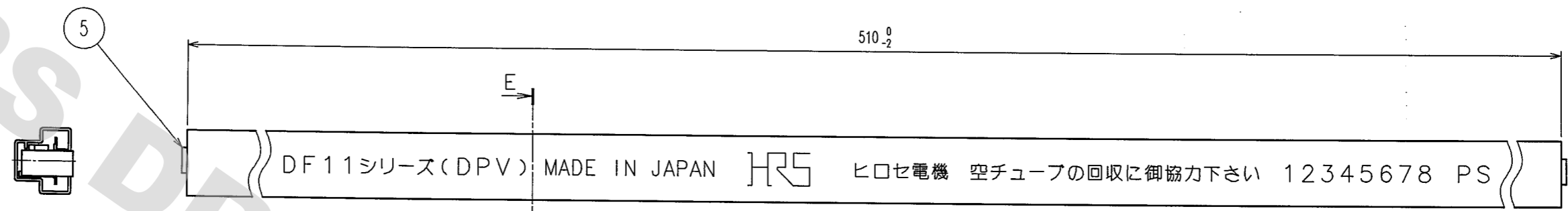
CODE No.	PART No.	NUMBER OF CONTACT	A	B	C	D
543-2135-0-20	DF11GZ- 4DP-2V(20)	4	2	8.5	4	8.7
543-2136-2-20	DF11GZ- 6DP-2V(20)	6	4	10.5	6	10.7
543-2137-5-20	DF11GZ- 8DP-2V(20)	8	6	12.5	8	12.7
543-2138-8-20	DF11GZ-10DP-2V(20)	10	8	14.5	10	14.7
543-2139-0-20	DF11GZ-12DP-2V(20)	12	10	16.5	12	16.7
543-2140-0-20	DF11GZ-14DP-2V(20)	14	12	18.5	14	18.7
543-2141-2-20	DF11GZ-16DP-2V(20)	16	14	20.5	16	20.7
543-2142-5-20	DF11GZ-18DP-2V(20)	18	16	22.5	18	22.7
543-2143-8-20	DF11GZ-20DP-2V(20)	20	18	24.5	20	24.7
543-2144-0-20	DF11GZ-22DP-2V(20)	22	20	26.5	22	26.7
543-2145-3-20	DF11GZ-24DP-2V(20)	24	22	28.5	24	28.7
543-2146-6-20	DF11GZ-26DP-2V(20)	26	24	30.5	26	30.7
543-2147-9-20	DF11GZ-28DP-2V(20)	28	26	32.5	28	32.7
543-2148-1-20	DF11GZ-30DP-2V(20)	30	28	34.5	30	34.7
543-2149-4-20	DF11GZ-32DP-2V(20)	32	30	36.5	32	36.7
543-2150-3-20	DF11GZ-40DP-2V(20)	40	38	44.5	40	44.7



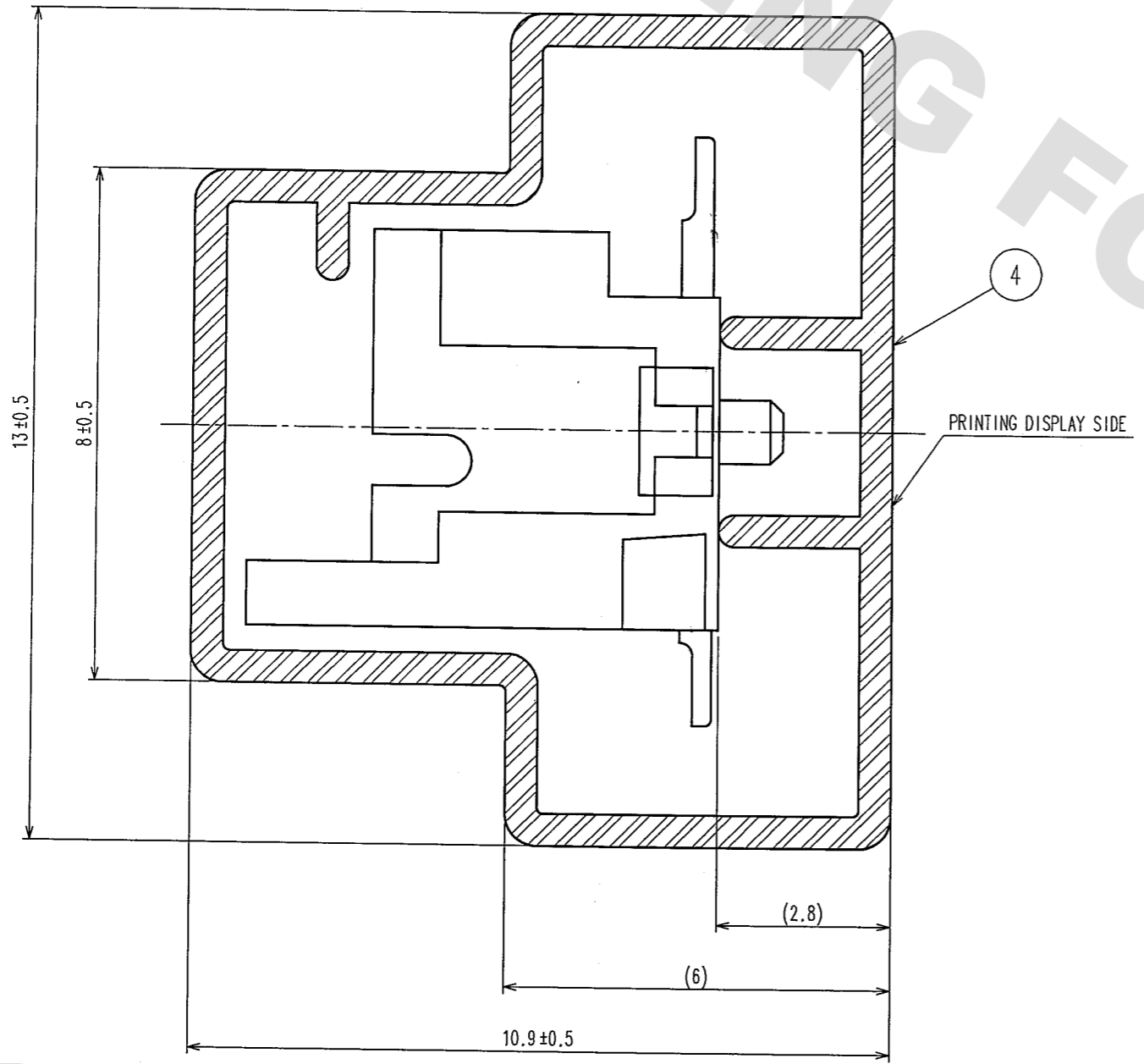
NOTES 1: IF THERE IS PATTERN ON PART, THERE IS A POSSIBILITY THAT IT WILL MAKE CONTACT WITH THE LEADS.
2: LEAD CO-PLANARITY INCLUDE REINFORCED METAL FITTINGS SHALL BE 0.1mm MAX.

2	BRASS	SURFACE:TIN PLATED 1μ m min UNDER PLATING:NICKEL PLATED 0.5μ m min	5	ELASTOMER	STOPPER, GRAY
1	POLYAMIDE	UL94V-0, NATURAL (BEIGE)	4	PS	ELECTROSTATIC PROTECTION, CLEAR
NO.	MATERIAL	FINISH, REMARKS	NO.	MATERIAL	FINISH, REMARKS
NO.	MATERIAL	FINISH, REMARKS	NO.	MATERIAL	FINISH, REMARKS
3	BRASS	TIN PLATED 1μ m min			
CODE NO. (OLD)			DRAWN	DESIGNED	CHECKED
			F.Matsuki	S. Denpouya	H. Umehara
			'05.02.10	'05.02.10	'05.02.10
					T. Miyazaki
					'05.02.14
DRAWING NO.			PART NO.		
EDC3-306016-01			DF11GZ-*DP-2V(20)		
SCALE			CODE NO.		
5 : 1			CL543-		
UNITS			1/2		
mm			HRS HIROSE ELECTRIC CO., LTD		

COUNT	DESCRIPTION OF REVISIONS	BY	CHKD	DATE	COUNT	DESCRIPTION OF REVISIONS	BY	CHKD	DATE
△					△				
△					△				
△					△				



E-E (10:1)



NOTES 3 : NUMBER OF CONNECTORS PER A MAGAZINE CASE SHALL BE IN ACCORDANCE WITH THE LIST BELOW.
 4 : THESE CONNECTORS SHALL BE ON SALED IN ACCORDANCE WITH THE MULTIPLE QUANTITY ON THE LIST.

CODE No.	PART No.	QUANTITY OF CONNECTOR
543-2135-0-20	DF11GZ- 4DP-2V(20)	41
543-2136-2-20	DF11GZ- 6DP-2V(20)	35
543-2137-5-20	DF11GZ- 8DP-2V(20)	30
543-2138-8-20	DF11GZ-10DP-2V(20)	27
543-2139-0-20	DF11GZ-12DP-2V(20)	24
543-2140-0-20	DF11GZ-14DP-2V(20)	22
543-2141-2-20	DF11GZ-16DP-2V(20)	20
543-2142-5-20	DF11GZ-18DP-2V(20)	18
543-2143-8-20	DF11GZ-20DP-2V(20)	17
543-2144-0-20	DF11GZ-22DP-2V(20)	16
543-2145-3-20	DF11GZ-24DP-2V(20)	15
543-2146-6-20	DF11GZ-26DP-2V(20)	14
543-2147-9-20	DF11GZ-28DP-2V(20)	13
543-2148-1-20	DF11GZ-30DP-2V(20)	12
543-2149-4-20	DF11GZ-32DP-2V(20)	12
543-2150-3-20	DF11GZ-40DP-2V(20)	10

CODE NO. (OLD)	DRAWN F. Matsuki '05.02.10	DESIGNED I. Danpouya '05.02.10	CHECKED H. Uchida '05.02.10	APPROVED T. Miyazaki '05.02.14	RELEASED
DRAWING NO. EDC3-306016-01		PART NO. DF11GZ-*DP-2V(20)		CODE NO. CL543-	
SCALE FREE UNITS mm		HRS HIROSE ELECTRIC CO., LTD		2	

DRAWING FOR REFERENCE: This is subject to change without notice
08/11/2012

TO

X-ON Electronics

Largest Supplier of Electrical and Electronic Components

Click to view similar products for [Headers & Wire Housings](#) category:

Click to view products by [Hirose](#) manufacturer:

Other Similar products are found below :

[892-18-020-10-001101](#) [58102-G61-06LF](#) [582553-1](#) [0009485154](#) [009176003701906](#) [0050291907](#) [LY20-4P-DT1-P1E-BR](#) [02.125.8002.8](#)
[609-3404](#) [61062-3](#) [622-0430](#) [622-3653LF](#) [63453-116](#) [636-1030](#) [636-1427](#) [636-3427](#) [636-4007](#) [641938-9](#) [641991-4](#) [644827-2](#) [65817-010LF](#)
[65817-015LF](#) [65863-015LF](#) [66207-023LF](#) [67095-007LF](#) [67601157](#) [68648-049](#) [70.362.1628.0](#) [70-4210](#) [70-4226B](#) [70-4853B](#) [707-5020](#) [707-](#)
[5028](#) [71.350.2428.0](#) [71918-208LF](#) [71961-016LF](#) [733-134](#) [733-162](#) [754199-000](#) [760-3052](#) [787-8014-00](#) [79531-3000](#) [FCN-360C032-B](#) [FCN-](#)
[367T-T012/H](#) [FCN-723D010/2](#) [80.063.4001.1](#) [800-90-001-10-001000](#) [800-90-010-10-002000](#) [801-43-002-10-013000](#) [801-43-006-10-002000](#)