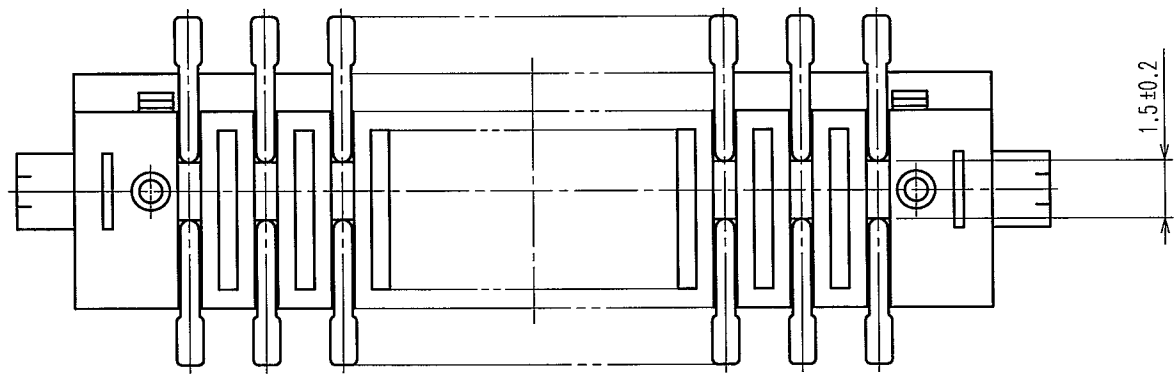
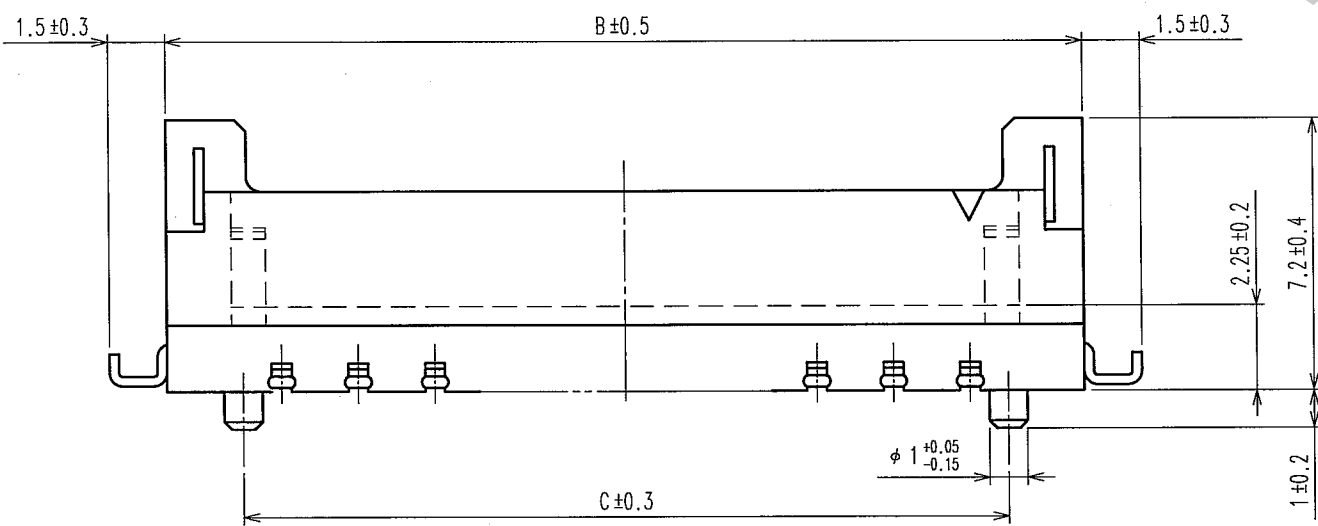
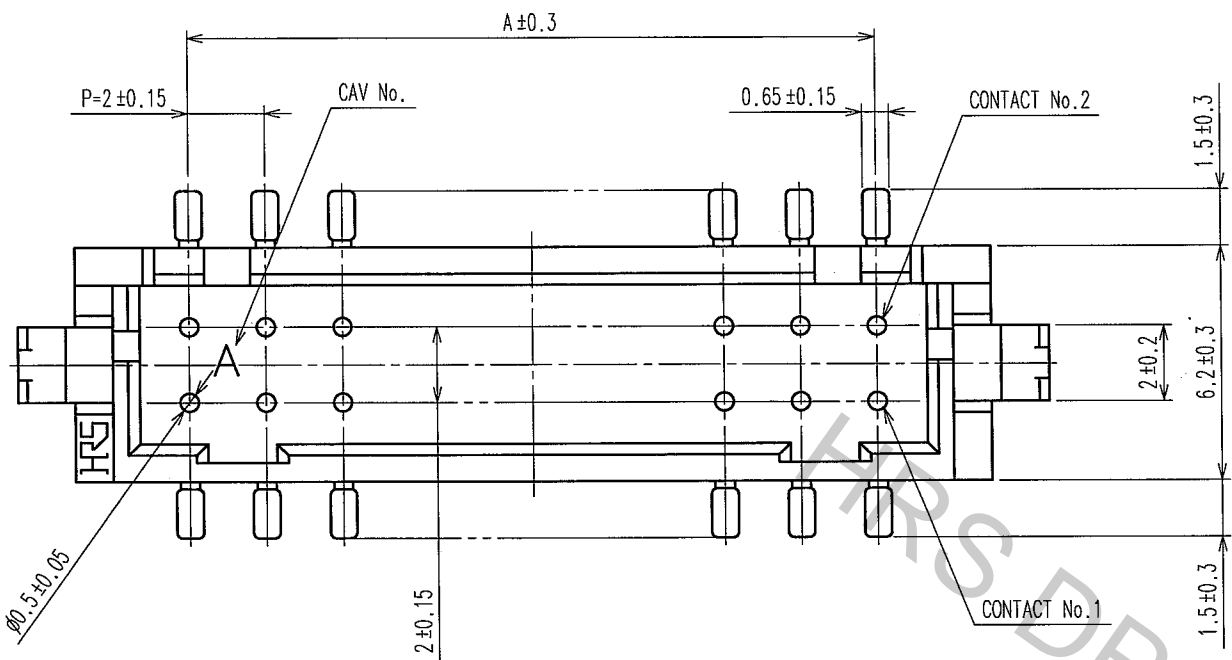
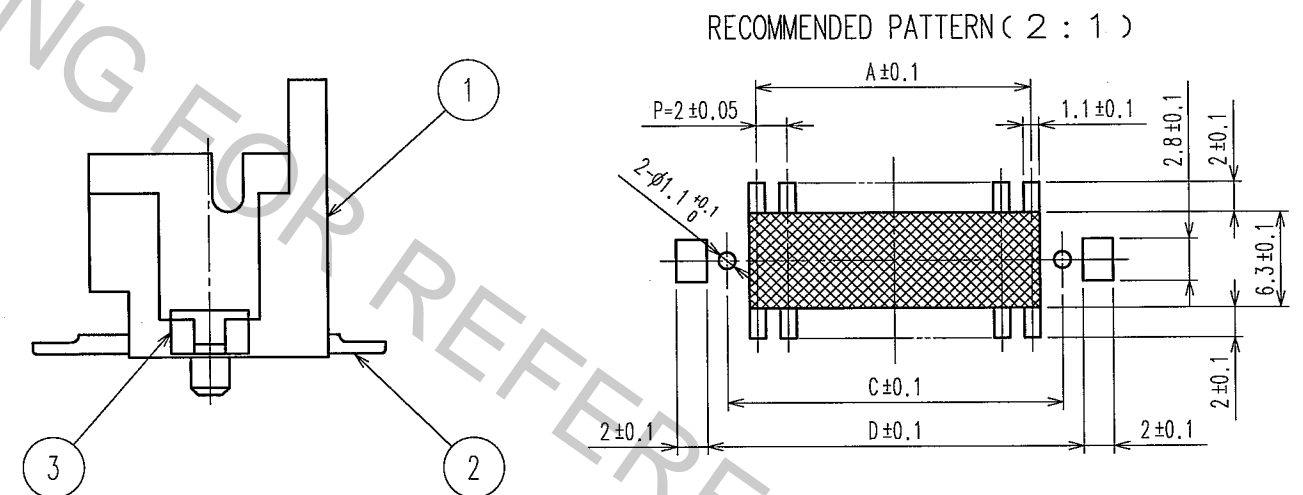


Jun.1.2018 Copyright 2018 HIROSE ELECTRIC CO., LTD. All Rights Reserved.
 In case of consideration for using Automotive equipment /
 device which demand high reliability, kindly contact our sales window correspondents.



COUNT	DESCRIPTION OF REVISIONS	BY	CHKD	DATE	COUNT	DESCRIPTION OF REVISIONS	BY	CHKD	DATE
3	DIS-H-002465	T.O	H.U	07.09.25					

CODE No.	PART No.	CONTACT	A	B	C	D
543-2017-3-27	DF11Z- 4DP-2V(27)	4	2.0	8.5	4.0	8.7
543-2018-6-27	DF11Z- 6DP-2V(27)	6	4.0	10.5	6.0	10.7
543-2019-9-27	DF11Z- 8DP-2V(27)	8	6.0	12.5	8.0	12.7
543-2020-8-27	DF11Z-10DP-2V(27)	10	8.0	14.5	10.0	14.7
543-2021-0-27	DF11Z-12DP-2V(27)	12	10.0	16.5	12.0	16.7
543-2022-3-27	DF11Z-14DP-2V(27)	14	12.0	18.5	14.0	18.7
543-2023-6-27	DF11Z-16DP-2V(27)	16	14.0	20.5	16.0	20.7
543-2024-9-27	DF11Z-18DP-2V(27)	18	16.0	22.5	18.0	22.7
543-2025-1-27	DF11Z-20DP-2V(27)	20	18.0	24.5	20.0	24.7
543-2026-4-27	DF11Z-22DP-2V(27)	22	20.0	26.5	22.0	26.7
543-2027-7-27	DF11Z-24DP-2V(27)	24	22.0	28.5	24.0	28.7
543-2028-0-27	DF11Z-26DP-2V(27)	26	24.0	30.5	26.0	30.7
543-2029-2-27	DF11Z-28DP-2V(27)	28	26.0	32.5	28.0	32.7
543-2030-1-27	DF11Z-30DP-2V(27)	30	28.0	34.5	30.0	34.7
543-2031-4-27	DF11Z-32DP-2V(27)	32	30.0	36.5	32.0	36.7
543-2032-7-27	DF11Z-40DP-2V(27)	40	38.0	44.5	40.0	44.7



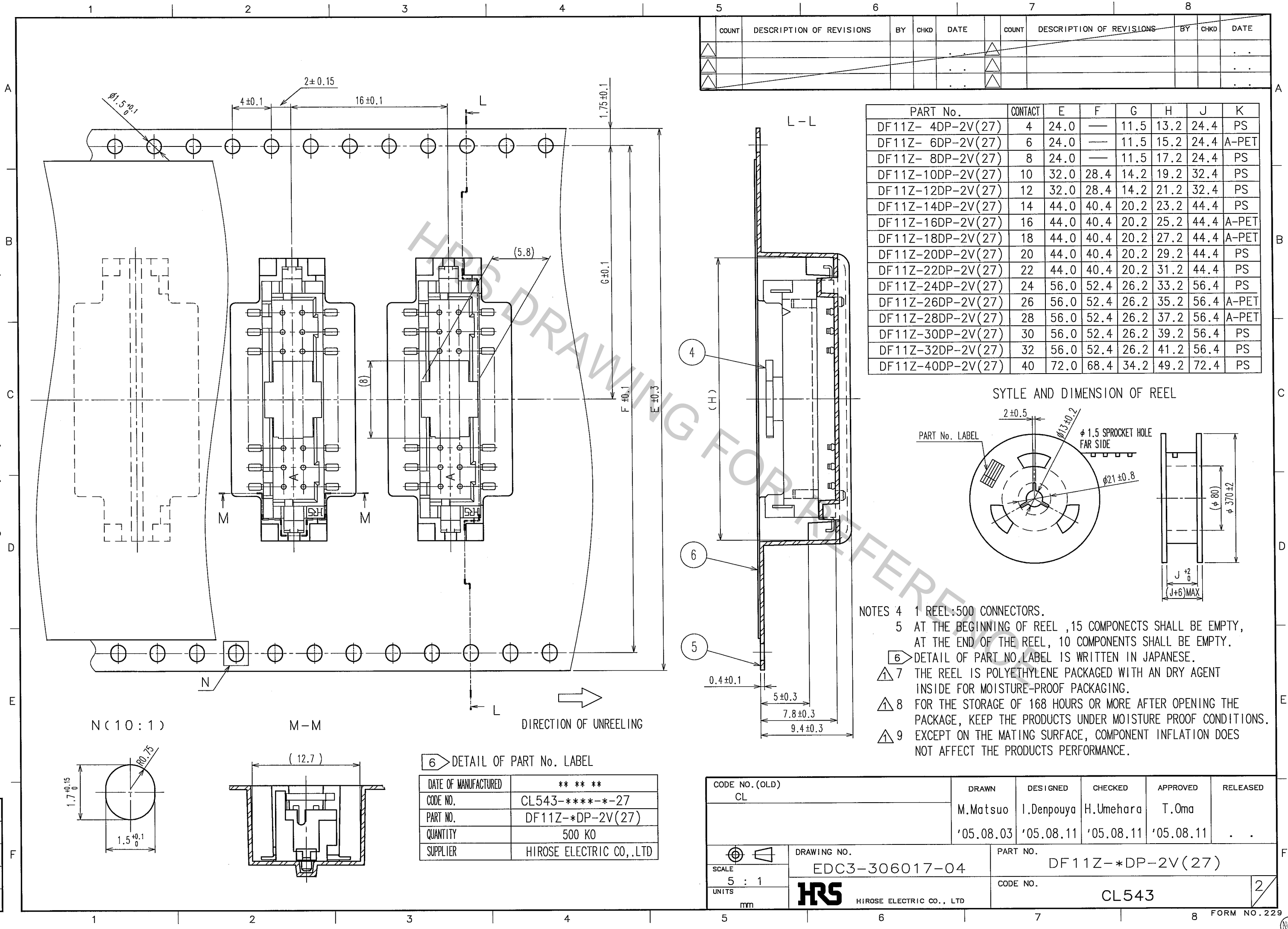
NOTE 1 LEAD CO-PLANALITY INCLUDE REINFORCED METAL FITTING SHALL BE 0.1mm MAX.
 2 WHEN A PART MARKED WITH HAS A PATTERN AND NO RESIST ON IT, USE CARE TO PREVENT THE CONNECTOR TERMINAL FROM CONTACTING IT.
 MATERIAL IS SHOWN IN TABLE.

3	BRASS	SURFACE:TIN PLATED 1μ m min	6	POLYESTER	CLEAR, COVER TAPE
2	BRASS	SURFACE:TIN PLATED 1μ m min UNDER PLATING:NICKEL PLATED 0.5μ m min	5	K<3	EMBOSSED CARRIER TAPE, CLEAR
1	POLYAMIDE	BEIGE,UL94V-0	4	POLYAMIDE	CAP, BLACK
NO.	MATERIAL	FINISH, REMARKS	NO.	MATERIAL	FINISH, REMARKS

CODE NO. (OLD) CL	DRAWN M.Matsuo '05.08.03	DESIGNED I.Denpouya '05.08.11	CHECKED H.Umehara '05.08.11	APPROVED T.Oma '05.08.11	RELEASED .
DRAWING NO. EDC3-306017-04		PART NO. DF11Z-*DP-2V(27)			
SCALE 5:1 UNITS mm		HRS HIROSE ELECTRIC CO., LTD		CODE NO. CL543	

TO

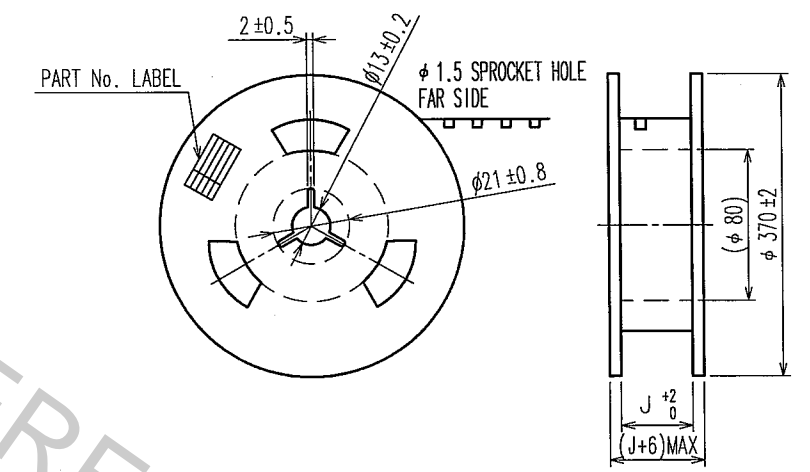
Jun.1.2018 Copyright 2018 HIROSE ELECTRIC CO., LTD. All Rights Reserved.
 In case of consideration for using Automotive equipment /
 device which demand high reliability, kindly contact our sales window correspondents.



COUNT	DESCRIPTION OF REVISIONS	BY	CHKD	DATE	COUNT	DESCRIPTION OF REVISIONS	BY	CHKD	DATE

PART No.	CONTACT	E	F	G	H	J	K
DF11Z- 4DP-2V(27)	4	24.0	—	11.5	13.2	24.4	PS
DF11Z- 6DP-2V(27)	6	24.0	—	11.5	15.2	24.4	A-PET
DF11Z- 8DP-2V(27)	8	24.0	—	11.5	17.2	24.4	PS
DF11Z-10DP-2V(27)	10	32.0	28.4	14.2	19.2	32.4	PS
DF11Z-12DP-2V(27)	12	32.0	28.4	14.2	21.2	32.4	PS
DF11Z-14DP-2V(27)	14	44.0	40.4	20.2	23.2	44.4	PS
DF11Z-16DP-2V(27)	16	44.0	40.4	20.2	25.2	44.4	A-PET
DF11Z-18DP-2V(27)	18	44.0	40.4	20.2	27.2	44.4	A-PET
DF11Z-20DP-2V(27)	20	44.0	40.4	20.2	29.2	44.4	PS
DF11Z-22DP-2V(27)	22	44.0	40.4	20.2	31.2	44.4	PS
DF11Z-24DP-2V(27)	24	56.0	52.4	26.2	33.2	56.4	PS
DF11Z-26DP-2V(27)	26	56.0	52.4	26.2	35.2	56.4	A-PET
DF11Z-28DP-2V(27)	28	56.0	52.4	26.2	37.2	56.4	A-PET
DF11Z-30DP-2V(27)	30	56.0	52.4	26.2	39.2	56.4	PS
DF11Z-32DP-2V(27)	32	56.0	52.4	26.2	41.2	56.4	PS
DF11Z-40DP-2V(27)	40	72.0	68.4	34.2	49.2	72.4	PS

STYLE AND DIMENSION OF REEL



- NOTES
- 4 1 REEL:500 CONNECTORS.
 - 5 AT THE BEGINNING OF REEL ,15 COMPONECTS SHALL BE EMPTY, AT THE END OF THE REEL, 10 COMPONENTS SHALL BE EMPTY.
 - 6 DETAIL OF PART No. LABEL IS WRITTEN IN JAPANESE.
 - 7 THE REEL IS POLYETHYLENE PACKAGED WITH AN DRY AGENT INSIDE FOR MOISTURE-PROOF PACKAGING.
 - 8 FOR THE STORAGE OF 168 HOURS OR MORE AFTER OPENING THE PACKAGE, KEEP THE PRODUCTS UNDER MOISTURE PROOF CONDITIONS.
 - 9 EXCEPT ON THE MATING SURFACE, COMPONENT INFLATION DOES NOT AFFECT THE PRODUCTS PERFORMANCE.

6 DETAIL OF PART No. LABEL

DATE OF MANUFACTURED	** ** *
CODE NO.	CL543-*****-27
PART NO.	DF11Z-*DP-2V(27)
QUANTITY	500 KO
SUPPLIER	HIROSE ELECTRIC CO.,LTD

CODE NO. (OLD) CL	DRAWN M.Matsuo	DESIGNED I.Denpouya	CHECKED H.Umehara	APPROVED T.Oma	RELEASED .
	'05.08.03	'05.08.11	'05.08.11	'05.08.11	.
DRAWING NO. EDC3-306017-04	PART NO. DF11Z-*DP-2V(27)				
SCALE 5 : 1	CODE NO. CL543				
UNITS mm	2				

X-ON Electronics

Largest Supplier of Electrical and Electronic Components

Click to view similar products for [Headers & Wire Housings](#) category:

Click to view products by [Hirose](#) manufacturer:

Other Similar products are found below :

[892-18-020-10-001101](#) [58102-G61-06LF](#) [582553-1](#) [0009485154](#) [009176003701906](#) [0050291907](#) [LY20-4P-DT1-P1E-BR](#) [02.125.8002.8](#)
[609-3404](#) [61062-3](#) [622-0430](#) [622-3653LF](#) [63453-116](#) [636-1030](#) [636-1427](#) [636-3427](#) [636-4007](#) [641938-9](#) [641991-4](#) [644827-2](#) [65817-010LF](#)
[65817-015LF](#) [65863-015LF](#) [66207-023LF](#) [67095-007LF](#) [67601157](#) [68648-049](#) [70.362.1628.0](#) [70-4210](#) [70-4226B](#) [70-4853B](#) [707-5020](#) [707-](#)
[5028](#) [71.350.2428.0](#) [71918-208LF](#) [71961-016LF](#) [733-134](#) [733-162](#) [754199-000](#) [760-3052](#) [787-8014-00](#) [79531-3000](#) [FCN-360C032-B](#) [FCN-](#)
[367T-T012/H](#) [FCN-723D010/2](#) [80.063.4001.1](#) [800-90-001-10-001000](#) [800-90-010-10-002000](#) [801-43-002-10-013000](#) [801-43-006-10-002000](#)