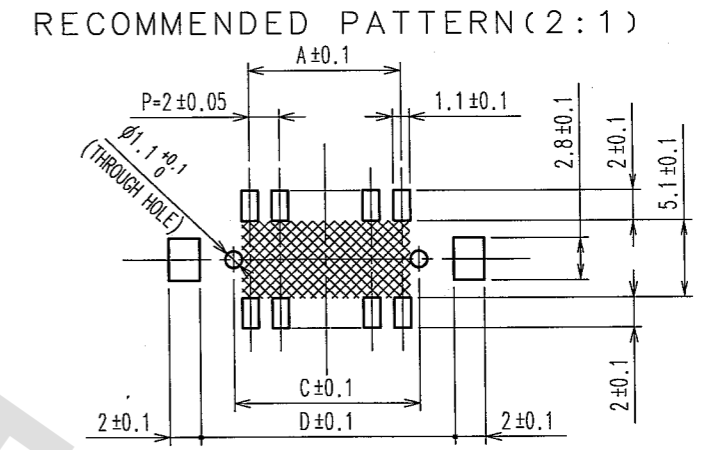
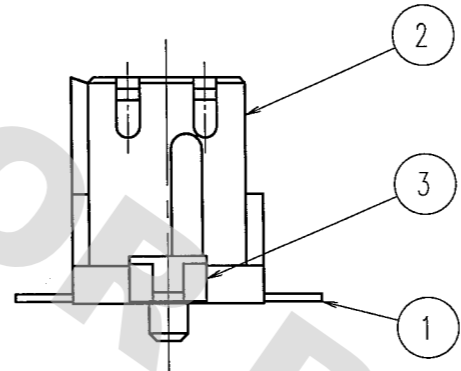
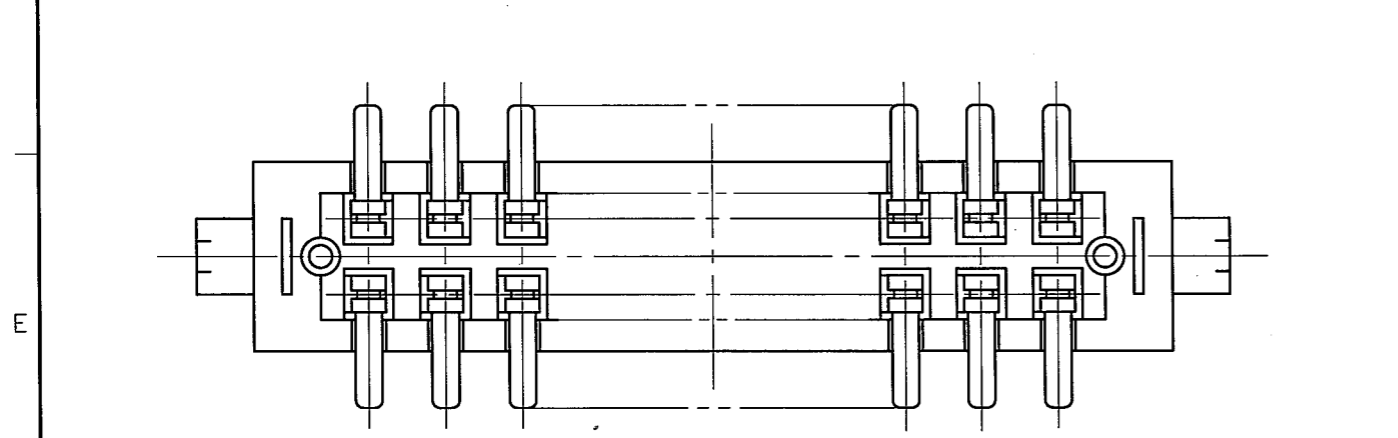
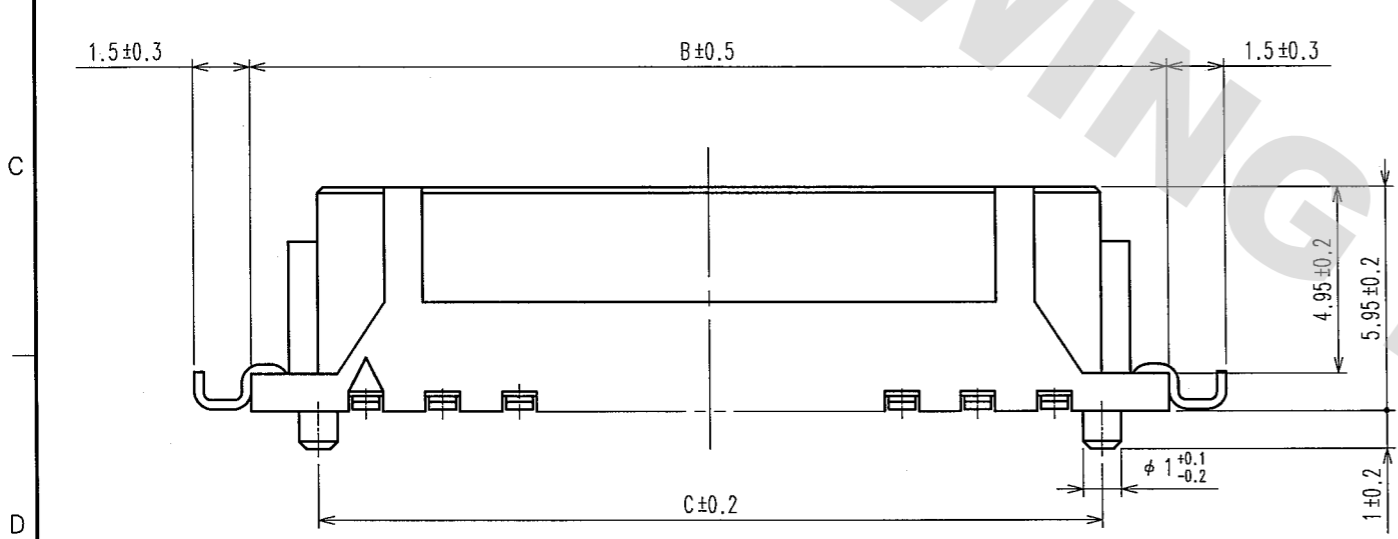
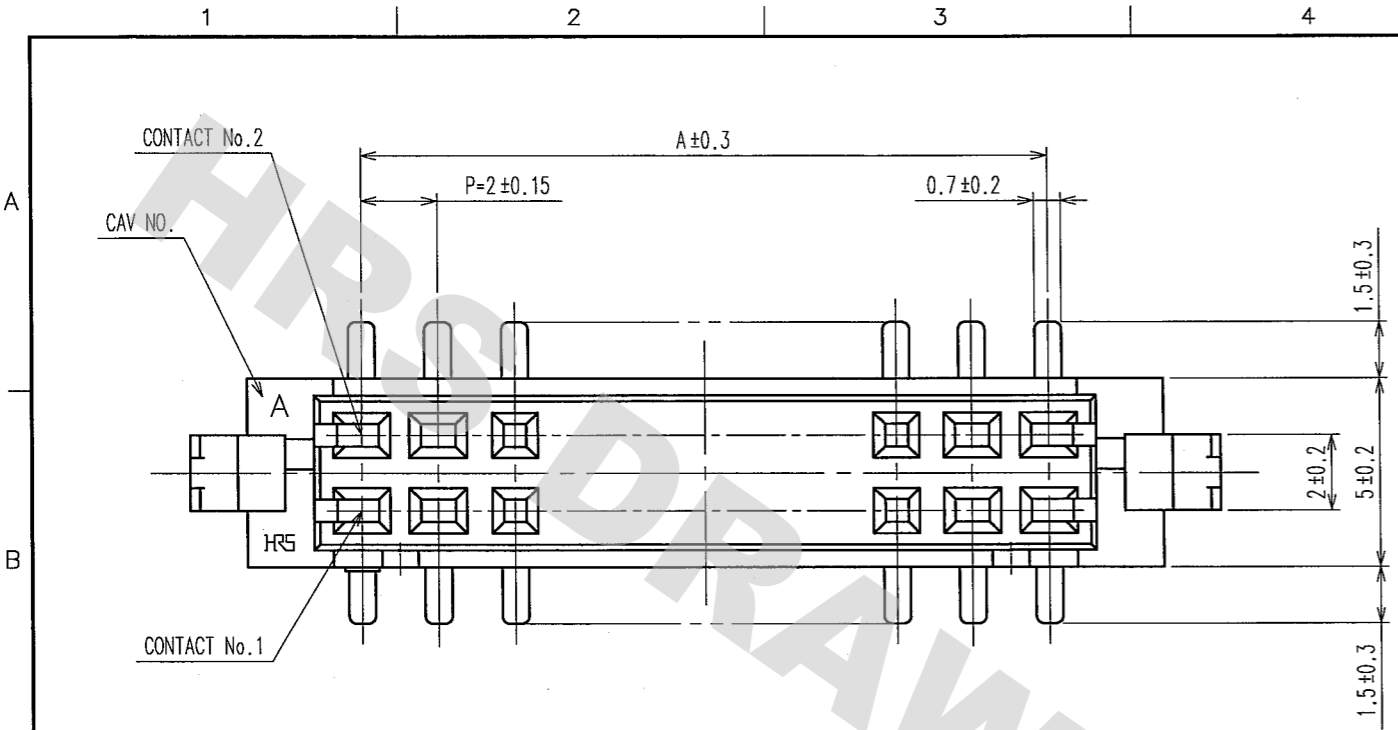


COUNT	DESCRIPTION OF REVISIONS	BY	CHKD	DATE	COUNT	DESCRIPTION OF REVISIONS	BY	CHKD	DATE
1	DIS-H-000675	A.M	H.U	05.12.27					
1	DIS-H-001226	N.H	H.U	06.08.01					
3	DIS-H-002465	T.O	H.U	07.09.25					

CODE No.	PART No.	NUMBER OF CONTACT	A	B	C	D
CL543-2001-3-52	DF11Z- 4DS-2V(52)	4	2.0	8.5	4.5	8.7
CL543-2002-6-52	DF11Z- 6DS-2V(52)	6	4.0	10.5	6.5	10.7
CL543-2003-9-52	DF11Z- 8DS-2V(52)	8	6.0	12.5	8.5	12.7
CL543-2004-1-52	DF11Z-10DS-2V(52)	10	8.0	14.5	10.5	14.7
CL543-2005-4-52	DF11Z-12DS-2V(52)	12	10.0	16.5	12.5	16.7
CL543-2006-7-52	DF11Z-14DS-2V(52)	14	12.0	18.5	14.5	18.7
CL543-2007-0-52	DF11Z-16DS-2V(52)	16	14.0	20.5	16.5	20.7
CL543-2008-2-52	DF11Z-18DS-2V(52)	18	16.0	22.5	18.5	22.7
CL543-2009-5-52	DF11Z-20DS-2V(52)	20	18.0	24.5	20.5	24.7
CL543-2010-4-52	DF11Z-22DS-2V(52)	22	20.0	26.5	22.5	26.7
CL543-2011-7-52	DF11Z-24DS-2V(52)	24	22.0	28.5	24.5	28.7
CL543-2012-0-52	DF11Z-26DS-2V(52)	26	24.0	30.5	26.5	30.7
CL543-2013-2-52	DF11Z-28DS-2V(52)	28	26.0	32.5	28.5	32.7
CL543-2014-5-52	DF11Z-30DS-2V(52)	30	28.0	34.5	30.5	34.7
CL543-2015-8-52	DF11Z-32DS-2V(52)	32	30.0	36.5	32.5	36.7
CL543-2016-0-52	DF11Z-40DS-2V(52)	40	38.0	44.5	40.5	44.7



NOTES 1: IF THERE IS PATTERN ON [Hatched Area] PART, THERE IS A POSSIBILITY THAT IT WILL MAKE CONTACT WITH THE LEADS.  
 2: LEAD CO-PLANARITY INCLUDE REINFORCED METAL FITTINGS SHALL BE 0.1mm MAX.

2	POLYAMIDE	UL94V-0, NATURAL (BEIGE)	6	POLYIMIDE	HEAT RESISTING TAPE
1	PHOSPHOR BRONZE	CONTACT AREA :GOLD PLATED 0.2μ m min	5	POLYESTER	CLEAR(COVER TAPE)
		LEAD AREA :TIN PLATED 2μ m min	4	5>J	CLEAR(EMBOSSD CARRIER TAPE)
		UNDER PLATING:NICKEL PLATED 1μ m min	3	BRASS	TIN PLATED 1μ m min
NO.	MATERIAL	FINISH, REMARKS	NO.	MATERIAL	FINISH, REMARKS

CODE NO. (OLD)	DRAWN	DESIGNED	CHECKED	APPROVED	RELEASED
	A.Miura	I.Denpouya	H.Umehara	T.Oma	
	'05.09.29	'05.09.30	'05.10.01	'05.10.01	

SCALE 5 : 1 UNITS mm	DRAWING NO. EDC3-306129-04 <b>HRS</b> HIROSE ELECTRIC CO., LTD	PART NO. DF11Z-*DS-2V(52)	CODE NO. CL543-	1/2
-------------------------------	---	------------------------------	--------------------	-----

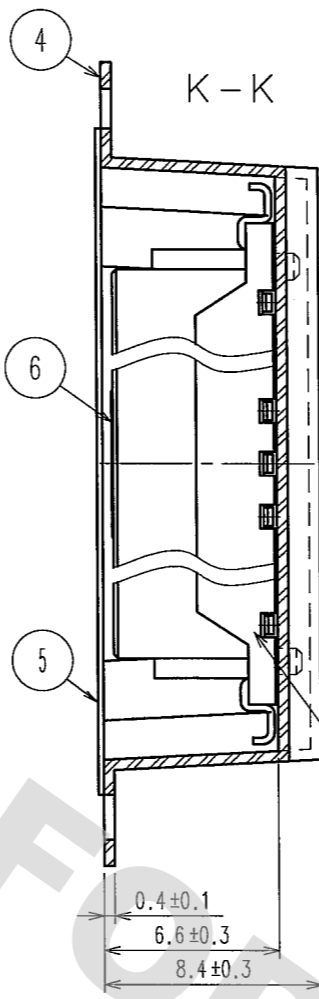
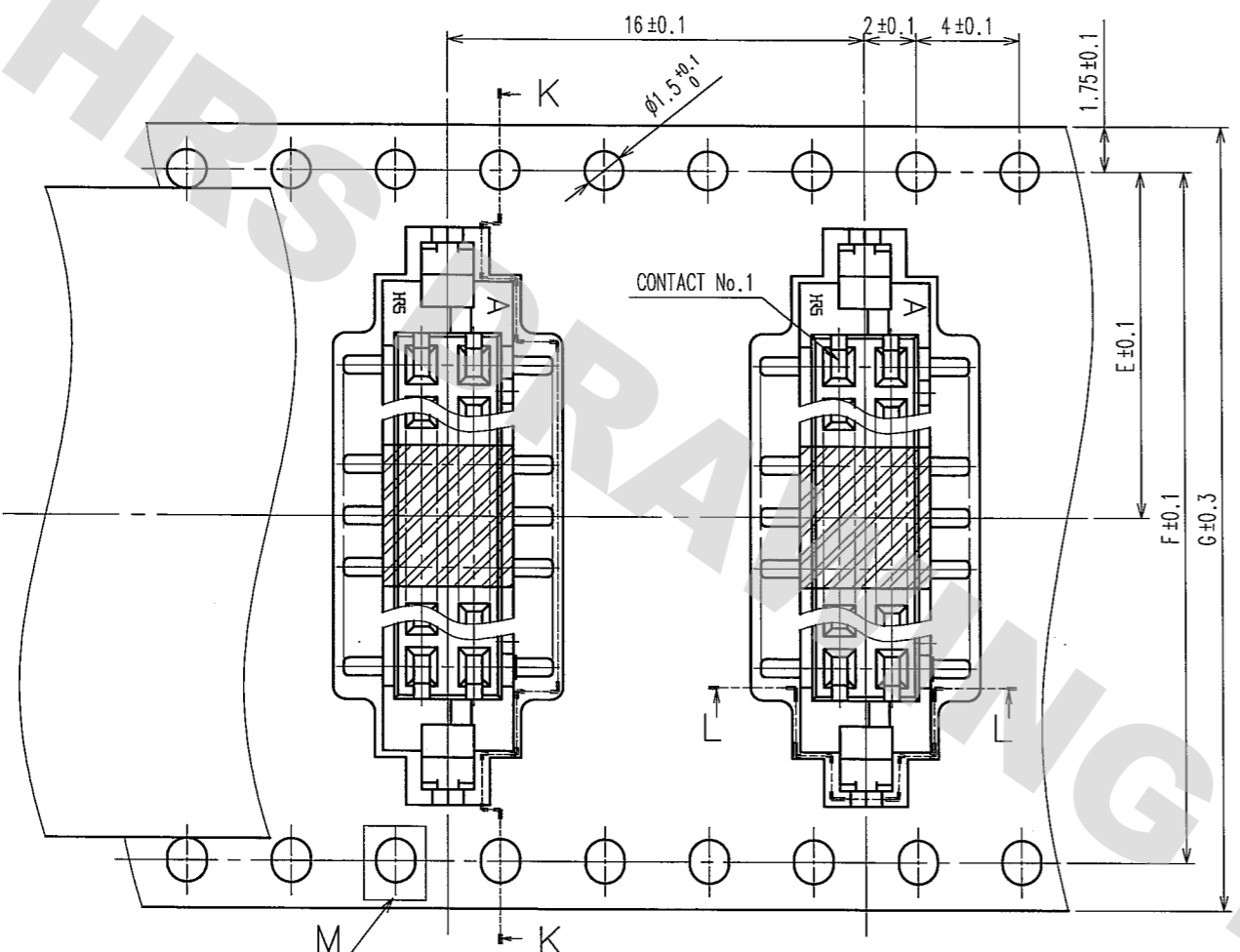
DRAWING FOR REFERENCE: This is subject to change without notice  
08/11/2012

TO

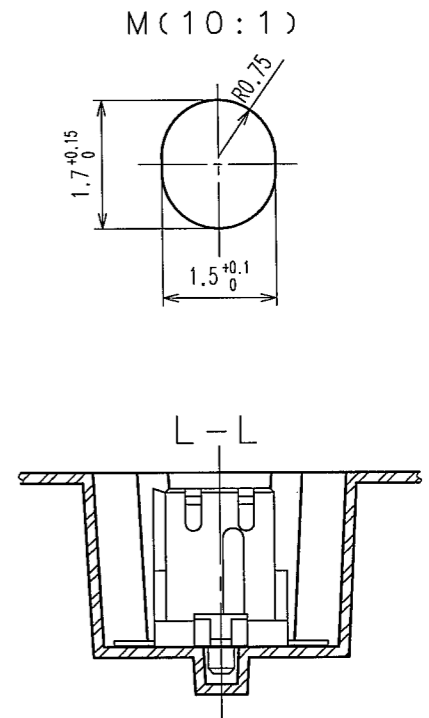
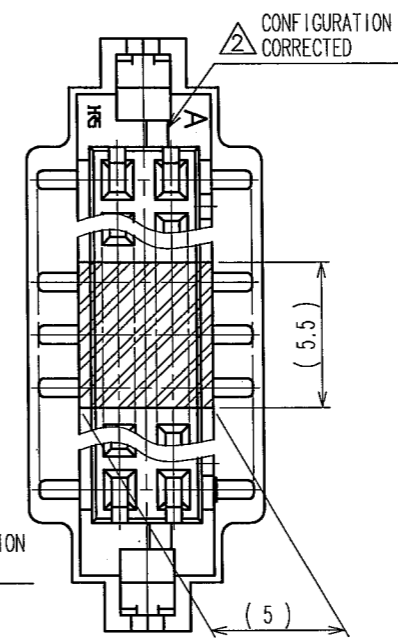
DRAWING FOR REFERENCE: This is subject to change without notice  
08/11/2012

COUNT	DESCRIPTION OF REVISIONS	BY	CHKD	DATE	COUNT	DESCRIPTION OF REVISIONS	BY	CHKD	DATE

A  
B  
C  
D  
E  
F

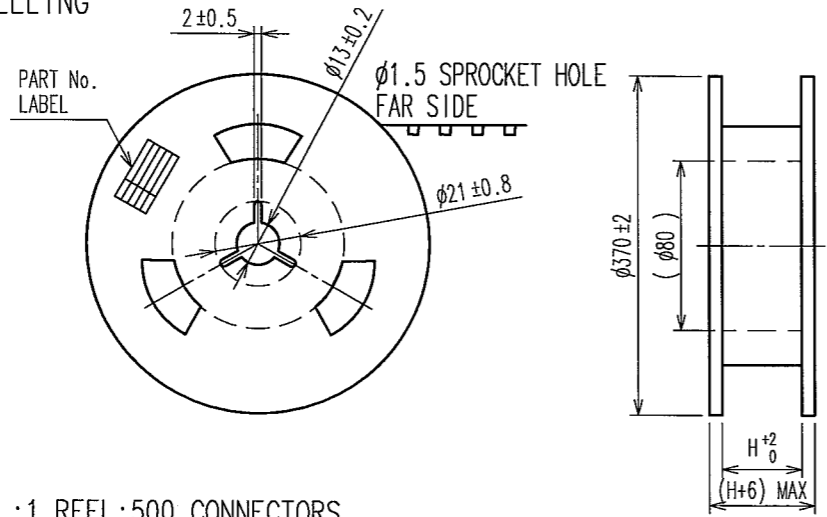


POSITION IN WHICH HEATPROOF TAPE IS PUT



DIRECTION OF UNREELING

STYLE AND DIMENSION OF REEL



SUPPLIER QUANTITY  
PART No.  
CODE No.  
DATE OF MANUFACTURED

6 > DETAIL OF PART No. LABEL

生産月日	年 月 日
図番	CL543-*****-52
品名	DF11Z-*DS-2V(52)
納入数量	500K0
納入者	ヒロセ電機株式会社

CODE No.	PART No.	NUMBER OF CONTACT	E	F	G	H	J
CL543-2001-3-52	DF11Z- 4DS-2V(52)	4	11.5	-	24	24.4	PS
CL543-2002-6-52	DF11Z- 6DS-2V(52)	6	11.5	-	24	24.4	PS
CL543-2003-9-52	DF11Z- 8DS-2V(52)	8	11.5	-	24	24.4	PS
CL543-2004-1-52	DF11Z-10DS-2V(52)	10	14.2	28.4	32	32.4	PS
CL543-2005-4-52	DF11Z-12DS-2V(52)	12	14.2	28.4	32	32.4	PS
CL543-2006-7-52	DF11Z-14DS-2V(52)	14	20.2	40.4	44	44.4	PS
CL543-2007-0-52	DF11Z-16DS-2V(52)	16	20.2	40.4	44	44.4	PS
CL543-2008-2-52	DF11Z-18DS-2V(52)	18	20.2	40.4	44	44.4	PS
CL543-2009-5-52	DF11Z-20DS-2V(52)	20	26.2	52.4	56	56.4	PS
CL543-2010-4-52	DF11Z-22DS-2V(52)	22	20.2	40.4	44	44.4	PS
CL543-2011-7-52	DF11Z-24DS-2V(52)	24	26.2	52.4	56	56.4	A-PET
CL543-2012-0-52	DF11Z-26DS-2V(52)	26	26.2	52.4	56	56.4	PS
CL543-2013-2-52	DF11Z-28DS-2V(52)	28	26.2	52.4	56	56.4	PS
CL543-2014-5-52	DF11Z-30DS-2V(52)	30	26.2	52.4	56	56.4	PS
CL543-2015-8-52	DF11Z-32DS-2V(52)	32	26.2	52.4	56	56.4	PS
CL543-2016-0-52	DF11Z-40DS-2V(52)	40	34.2	68.4	72	72.4	PS

- NOTES
- 3 : 1 REEL : 500 CONNECTORS.
  - 4 : AT THE BEGINNING OF THE REEL, 15 COMPONENTS SHALL BE EMPTY. AT THE END OF THE REEL, 10 COMPONENTS SHALL BE EMPTY.
  - 5 : THE MATERIAL OF THE EMBOSSED CARRIER TAPE REFES TO THE TABLE.
  - 6 : DETAIL OF PART No. LABEL IS WRITTEN IN JAPANESE.
  - 7 : THE REEL IS POLYETHYLENE PACKAGED WITH AN DRY AGENT INSIDE FOR MOISTURE-PROOF PACKAGING.
  - 8 : FOR THE STORAGE OF 168 HOURS OR MORE AFTER OPENING THE PACKAGE, KEEP THE PRODUCTS UNDER MOISTURE PROOF CONDITIONS.
  - 9 : EXCEPT ON THE MATING SURFACE, COMPONENT INFLATION DOES NOT AFFECT THE PRODUCTS PERFORMANCE.

REMARKS	DRAWN	DESIGNED	CHECKED	APPROVED	RELEASED
	A.Miura	I.Denpouya	H.Umehara	T.Oma	
	'05.09.29	'05.09.30	'05.10.01	'05.10.01	
CODE NO. (OLD) CL	DRAWING NO. EDC3-306129-04		PART NO. DF11Z-*DS-2V(52)		
SCALE FR:EE UNITS mm	HRS HIROSE ELECTRIC CO., LTD.		CODE NO. CL543-		

TO

## X-ON Electronics

Largest Supplier of Electrical and Electronic Components

*Click to view similar products for [Headers & Wire Housings](#) category:*

*Click to view products by [Hirose](#) manufacturer:*

Other Similar products are found below :

[892-18-020-10-001101](#) [58102-G61-06LF](#) [582553-1](#) [0009485154](#) [009176003701906](#) [0050291907](#) [LY20-4P-DT1-P1E-BR](#) [02.125.8002.8](#)  
[609-3404](#) [61062-3](#) [622-0430](#) [622-3653LF](#) [63453-116](#) [636-1030](#) [636-1427](#) [636-3427](#) [636-4007](#) [641938-9](#) [641991-4](#) [644827-2](#) [65817-010LF](#)  
[65817-015LF](#) [65863-015LF](#) [66207-023LF](#) [67095-007LF](#) [67601157](#) [68648-049](#) [70.362.1628.0](#) [70-4210](#) [70-4226B](#) [70-4853B](#) [707-5020](#) [707-](#)  
[5028](#) [71.350.2428.0](#) [71918-208LF](#) [71961-016LF](#) [733-134](#) [733-162](#) [754199-000](#) [760-3052](#) [787-8014-00](#) [79531-3000](#) [FCN-360C032-B](#) [FCN-](#)  
[367T-T012/H](#) [FCN-723D010/2](#) [80.063.4001.1](#) [800-90-001-10-001000](#) [800-90-010-10-002000](#) [801-43-002-10-013000](#) [801-43-006-10-002000](#)