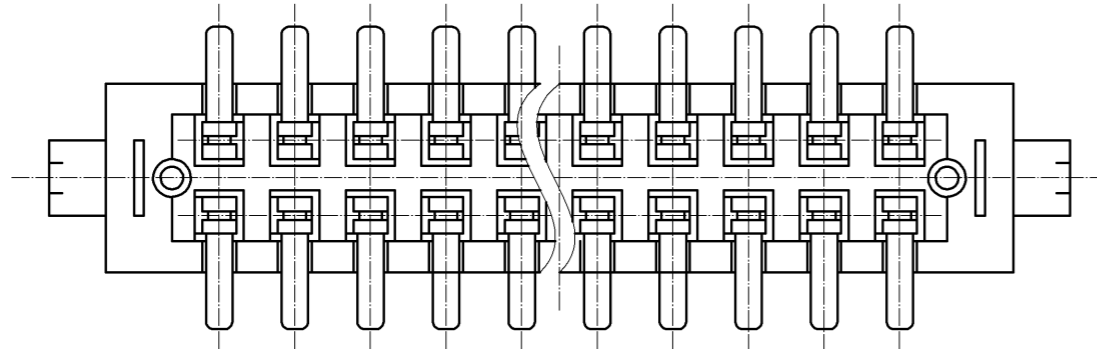
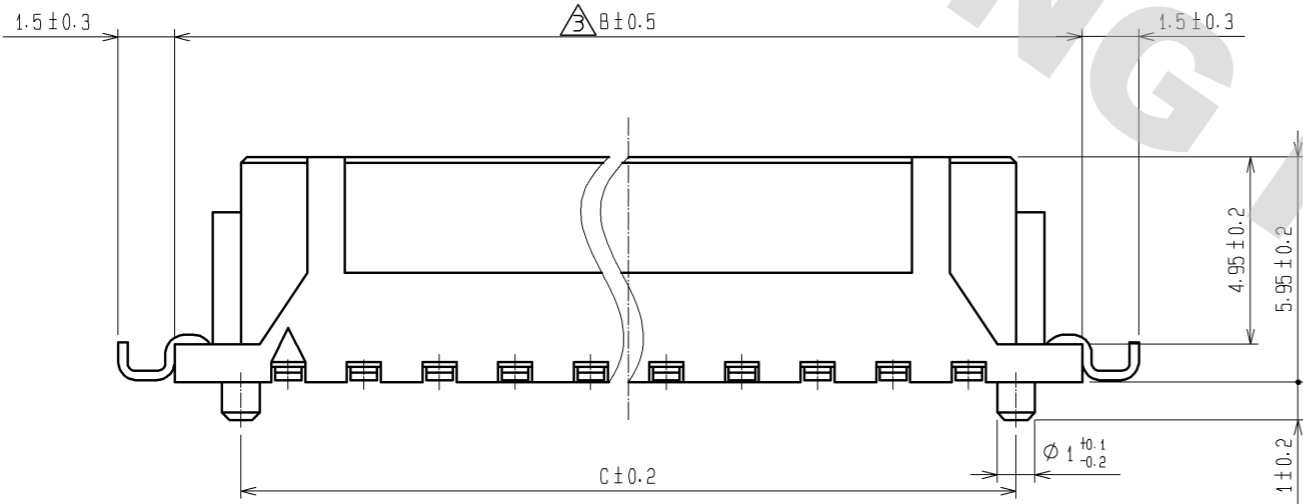
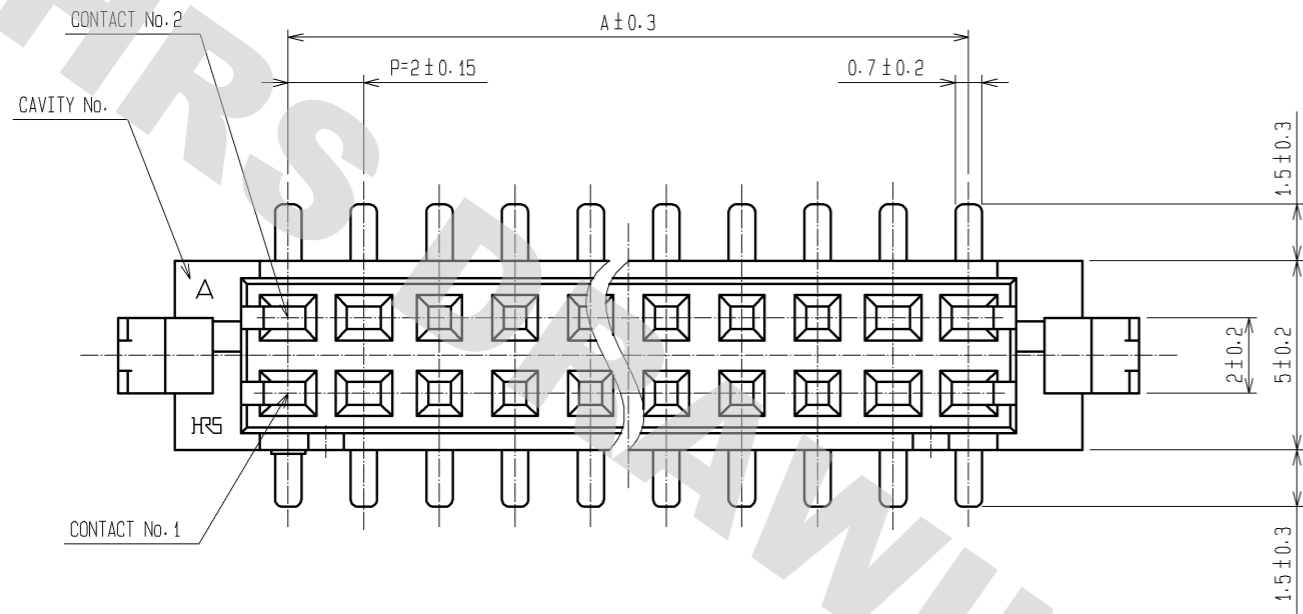
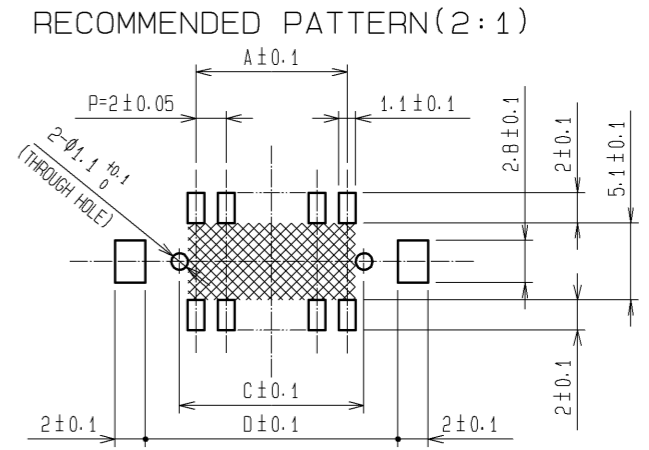
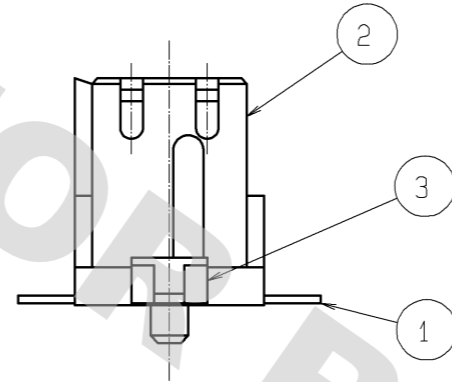


DRAWING FOR REFERENCE: This is subject to change without notice  
08/11/2012



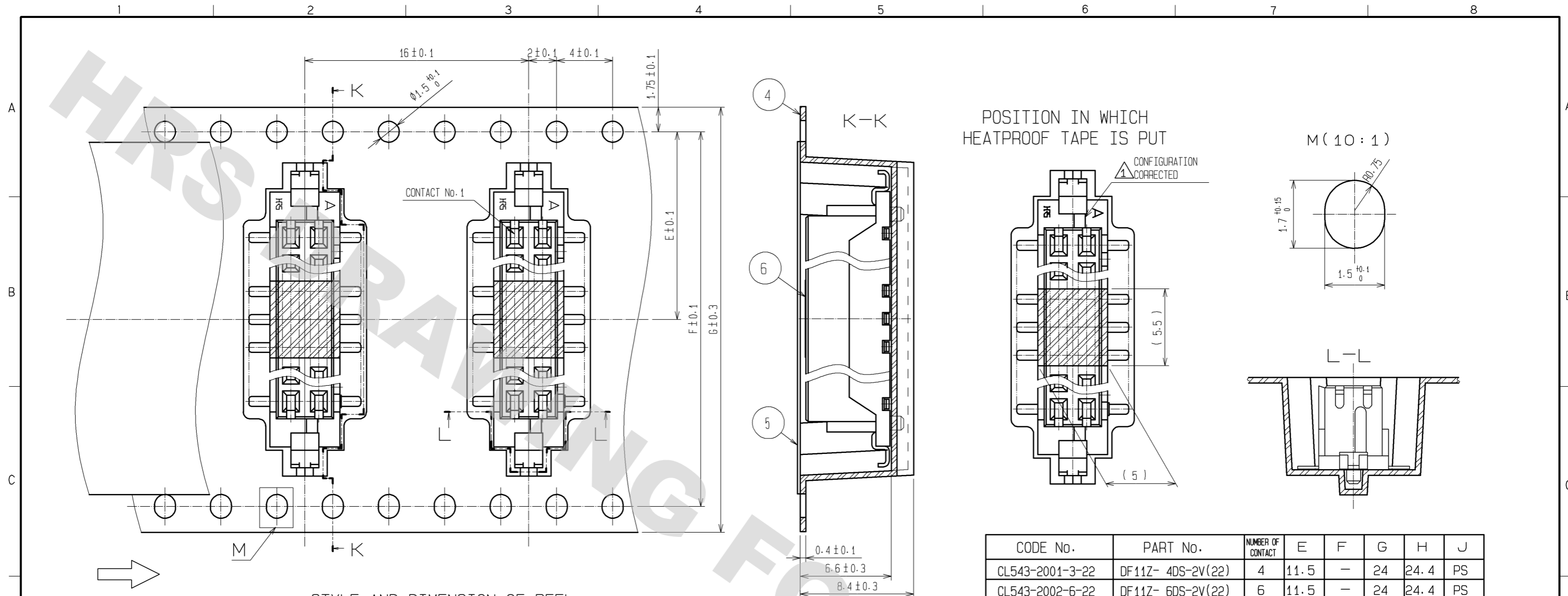
CODE No.	PART No.	NUMBER OF CONTACT	A	B	C	D
CL543-2001-3-22	DF11Z- 4DS-2V(22)	4	2.0	8.5	4.5	8.7
CL543-2002-6-22	DF11Z- 6DS-2V(22)	6	4.0	10.5	6.5	10.7
CL543-2003-9-22	DF11Z- 8DS-2V(22)	8	6.0	12.5	8.5	12.7
CL543-2004-1-22	DF11Z-10DS-2V(22)	10	8.0	14.5	10.5	14.7
CL543-2005-4-22	DF11Z-12DS-2V(22)	12	10.0	16.5	12.5	16.7
CL543-2006-7-22	DF11Z-14DS-2V(22)	14	12.0	18.5	14.5	18.7
CL543-2007-0-22	DF11Z-16DS-2V(22)	16	14.0	20.5	16.5	20.7
CL543-2008-2-22	DF11Z-18DS-2V(22)	18	16.0	22.5	18.5	22.7
CL543-2009-5-22	DF11Z-20DS-2V(22)	20	18.0	24.5	20.5	24.7
CL543-2010-4-22	DF11Z-22DS-2V(22)	22	20.0	26.5	22.5	26.7
CL543-2011-7-22	DF11Z-24DS-2V(22)	24	22.0	28.5	24.5	28.7
CL543-2012-0-22	DF11Z-26DS-2V(22)	26	24.0	30.5	26.5	30.7
CL543-2013-2-22	DF11Z-28DS-2V(22)	28	26.0	32.5	28.5	32.7
CL543-2014-5-22	DF11Z-30DS-2V(22)	30	28.0	34.5	30.5	34.7
CL543-2015-8-22	DF11Z-32DS-2V(22)	32	30.0	36.5	32.5	36.7
CL543-2016-0-22	DF11Z-40DS-2V(22)	40	38.0	44.5	40.5	44.7



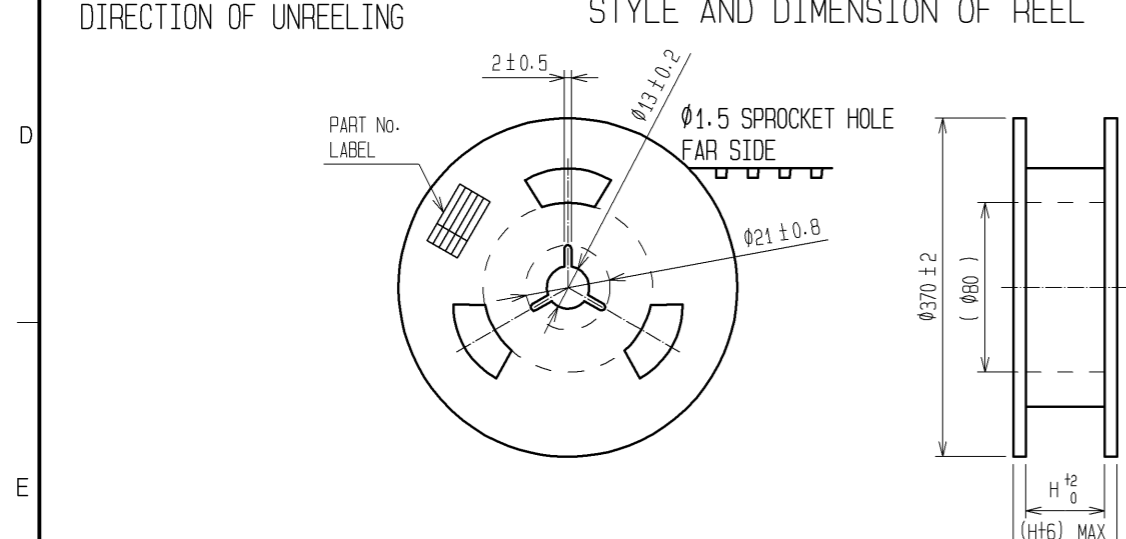
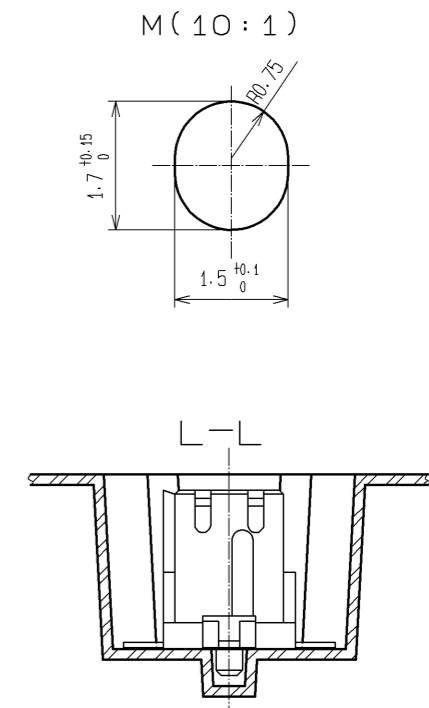
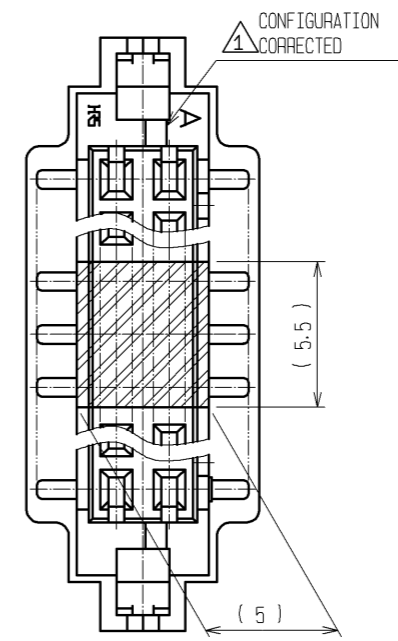
NOTES 1: IF THERE IS PATTERN ON [Hatched Area] PART, THERE IS A POSSIBILITY THAT IT WILL MAKE CONTACT WITH THE LEADS.  
2: LEAD CO-PLANARITY INCLUDE REINFORCED METAL FITTINGS SHALL BE 0.1mm MAX.

3	BRASS	TIN PLATED 1µm min.	6	POLYAMIDE	BROWN(HEAT-RESISTANCE TAPE)		
2	POLYAMIDE	UL94V-0, NATURAL (BEIGE)	5	POLYESTER	CLEAR(COVER TAPE)		
1	PHOSPHOR BRONZE	TIN PLATED 2µm min.	4	5J	CLEAR(EMBOSSD CARRIER TAPE)		
NO.	MATERIAL	FINISH, REMARKS	NO.	MATERIAL	FINISH, REMARKS		
UNITS mm		SCALE 5 : 1	COUNT 1	DESCRIPTION OF REVISIONS DIS-H-003293	DESIGNED YT. MIYAMURA	CHECKED TS. KUMAZAWA	DATE 08. 11. 06
<b>HRS</b> HIROSE ELECTRIC CO., LTD.		APPROVED : TY. OMA 06. 06. 26	DRAWING NO. EDC3-306129-05				
		CHECED : HK. UMEHARA 06. 06. 07	PART NO. DF11Z- *DS-2V(22)				
		DESIGNED : NS. HIROSE 06. 06. 06	CODE NO. CL543				
		DRAWN : AK. MIURA 06. 06. 02					

DRAWING FOR REFERENCE: This is subject to change without notice  
08/11/2012



POSITION IN WHICH HEATPROOF TAPE IS PUT



SUPPLIER  
QUANTITY  
PART No.  
CODE No.  
DATE OF MANUFACTURED

5> DETAIL OF PART No. LABEL

生産月日	年 月 日
箱番	CL543-****-*22
品名	DF11Z-*DS-2V(22)
納入数量	500KO
納入者	ヒロセ電機株式会社

CODE No.	PART No.	NUMBER OF CONTACT	E	F	G	H	J
CL543-2001-3-22	DF11Z- 4DS-2V(22)	4	11.5	-	24	24.4	PS
CL543-2002-6-22	DF11Z- 6DS-2V(22)	6	11.5	-	24	24.4	PS
CL543-2003-9-22	DF11Z- 8DS-2V(22)	8	11.5	-	24	24.4	PS
CL543-2004-1-22	DF11Z-10DS-2V(22)	10	14.2	28.4	32	32.4	PS
CL543-2005-4-22	DF11Z-12DS-2V(22)	12	14.2	28.4	32	32.4	PS
CL543-2006-7-22	DF11Z-14DS-2V(22)	14	20.2	40.4	44	44.4	PS
CL543-2007-0-22	DF11Z-16DS-2V(22)	16	20.2	40.4	44	44.4	PS
CL543-2008-2-22	DF11Z-18DS-2V(22)	18	20.2	40.4	44	44.4	PS
CL543-2009-5-22	DF11Z-20DS-2V(22)	20	26.2	52.4	56	56.4	PS
CL543-2010-4-22	DF11Z-22DS-2V(22)	22	20.2	40.4	44	44.4	PS
CL543-2011-7-22	DF11Z-24DS-2V(22)	24	26.2	52.4	56	56.4	A-PET
CL543-2012-0-22	DF11Z-26DS-2V(22)	26	26.2	52.4	56	56.4	PS
CL543-2013-2-22	DF11Z-28DS-2V(22)	28	26.2	52.4	56	56.4	PS
CL543-2014-5-22	DF11Z-30DS-2V(22)	30	26.2	52.4	56	56.4	PS
CL543-2015-8-22	DF11Z-32DS-2V(22)	32	26.2	52.4	56	56.4	PS
CL543-2016-0-22	DF11Z-40DS-2V(22)	40	34.2	68.4	72	72.4	PS

- NOTES
- 3 : 1 REEL : 500 CONNECTORS.
  - 4 : AT THE BEGINNING OF THE REEL, 15 COMPONENTS SHALL BE EMPTY.  
AT THE END OF THE REEL, 10 COMPONENTS SHALL BE EMPTY.
  - 5> : DETAIL OF PART No. LABEL IS WRITTEN IN JAPANESE.
  - 26 : THE REEL IS POLYETHYLENE PACKAGED WITH AN DRY AGENT INSIDE FOR MOISTURE-PROOF PACKAGING.
  - 27 : FOR THE STORAGE OF 168 HOURS OR MORE AFTER OPENING THE PACKAGE, KEEP THE PRODUCTS UNDER MOISTURE PROOF CONDITIONS.
  - 28 : EXCEPT ON THE MATING SURFACE, COMPONENT INFLATION DOES NOT AFFECT THE PRODUCTS PERFORMANCE.

<b>HRS</b>	DRAWING NO.	EDC3-306129-05
	PART NO.	DF11Z-*DS-2V(22)
	CODE NO.	CL543

3/2/1

## X-ON Electronics

Largest Supplier of Electrical and Electronic Components

*Click to view similar products for [Headers & Wire Housings](#) category:*

*Click to view products by [Hirose](#) manufacturer:*

Other Similar products are found below :

[892-18-020-10-001101](#) [58102-G61-06LF](#) [582553-1](#) [0009485154](#) [009176003701906](#) [0050291907](#) [LY20-4P-DT1-P1E-BR](#) [02.125.8002.8](#)  
[609-3404](#) [61062-3](#) [622-0430](#) [622-3653LF](#) [63453-116](#) [636-1030](#) [636-1427](#) [636-3427](#) [636-4007](#) [641938-9](#) [641991-4](#) [644827-2](#) [65817-010LF](#)  
[65817-015LF](#) [65863-015LF](#) [66207-023LF](#) [67095-007LF](#) [67601157](#) [68648-049](#) [70.362.1628.0](#) [70-4210](#) [70-4226B](#) [70-4853B](#) [707-5020](#) [707-5028](#) [71.350.2428.0](#) [71918-208LF](#) [71961-016LF](#) [733-134](#) [733-162](#) [754199-000](#) [760-3052](#) [787-8014-00](#) [79531-3000](#) [FCN-360C032-B](#) [FCN-367T-T012/H](#) [FCN-723D010/2](#) [80.063.4001.1](#) [800-90-001-10-001000](#) [800-90-010-10-002000](#) [801-43-002-10-013000](#) [801-43-006-10-002000](#)