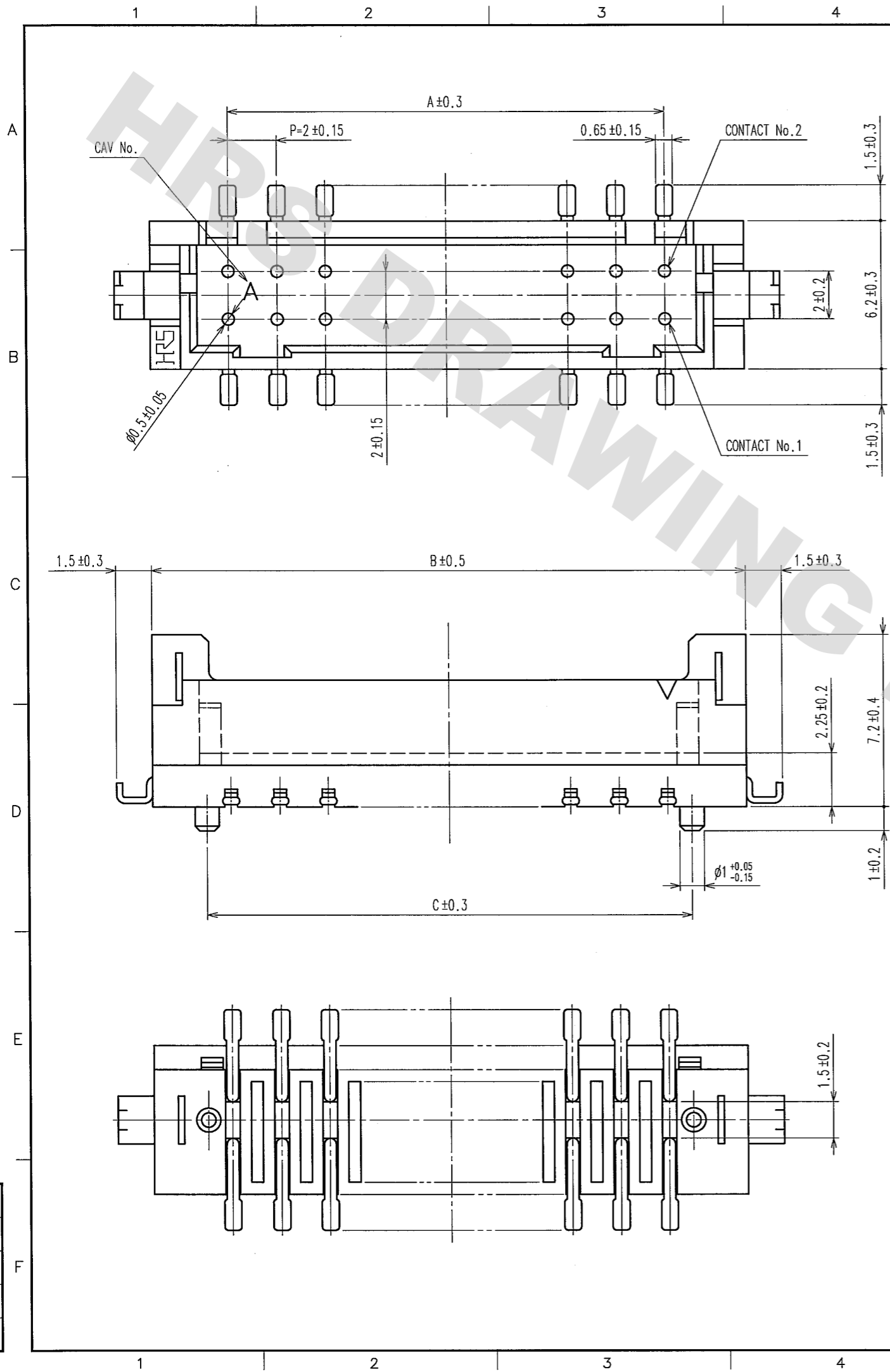
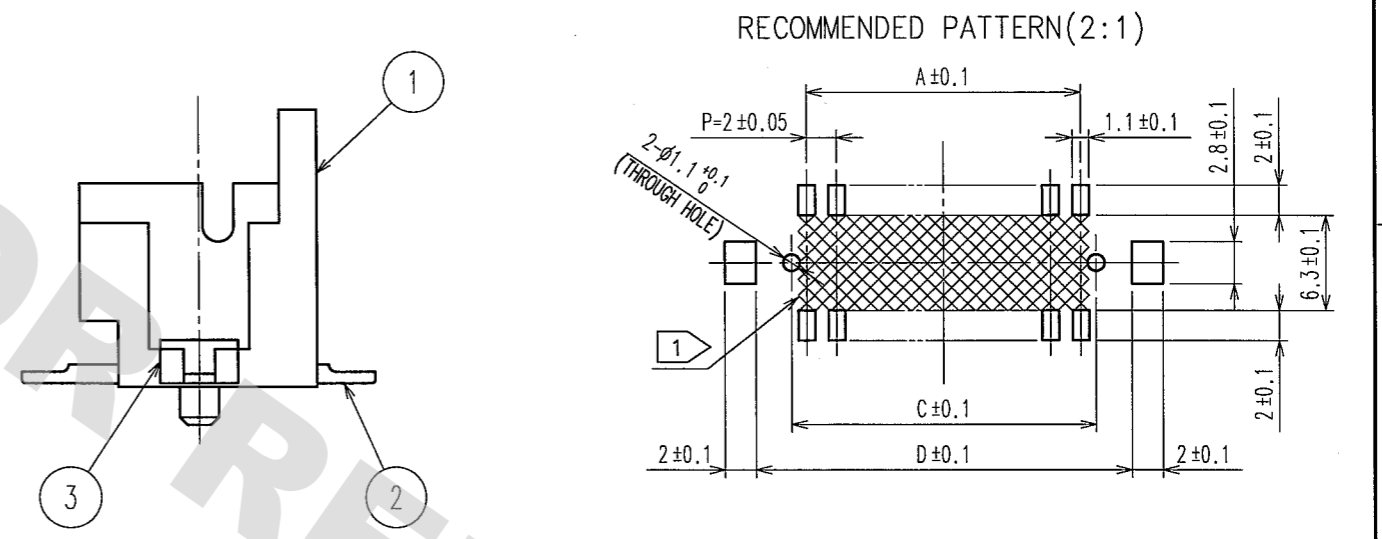


DRAWING FOR REFERENCE: This is subject to change without notice
08/11/2012



COUNT	DESCRIPTION OF REVISIONS	BY	CHKD	DATE	COUNT	DESCRIPTION OF REVISIONS	BY	CHKD	DATE
1	DIS-H-000128	I.D	H.U	'05.07.27					
3	DIS-H-002465	T.O	H.U	07.09.25					

CODE No.	PART No.	NUMBER OF CONTACT	A	B	C	D
CL543-2017-3-21	DF11Z- 4DP-2V(21)	4	2	8.5	4	8.7
CL543-2018-6-21	DF11Z- 6DP-2V(21)	6	4	10.5	6	10.7
CL543-2019-9-21	DF11Z- 8DP-2V(21)	8	6	12.5	8	12.7
CL543-2020-8-21	DF11Z-10DP-2V(21)	10	8	14.5	10	14.7
CL543-2021-0-21	DF11Z-12DP-2V(21)	12	10	16.5	12	16.7
CL543-2022-3-21	DF11Z-14DP-2V(21)	14	12	18.5	14	18.7
CL543-2023-6-21	DF11Z-16DP-2V(21)	16	14	20.5	16	20.7
CL543-2024-9-21	DF11Z-18DP-2V(21)	18	16	22.5	18	22.7
CL543-2025-1-21	DF11Z-20DP-2V(21)	20	18	24.5	20	24.7
CL543-2026-4-21	DF11Z-22DP-2V(21)	22	20	26.5	22	26.7
CL543-2027-7-21	DF11Z-24DP-2V(21)	24	22	28.5	24	28.7
CL543-2028-0-21	DF11Z-26DP-2V(21)	26	24	30.5	26	30.7
CL543-2029-2-21	DF11Z-28DP-2V(21)	28	26	32.5	28	32.7
CL543-2030-1-21	DF11Z-30DP-2V(21)	30	28	34.5	30	34.7
CL543-2031-4-21	DF11Z-32DP-2V(21)	32	30	36.5	32	36.7

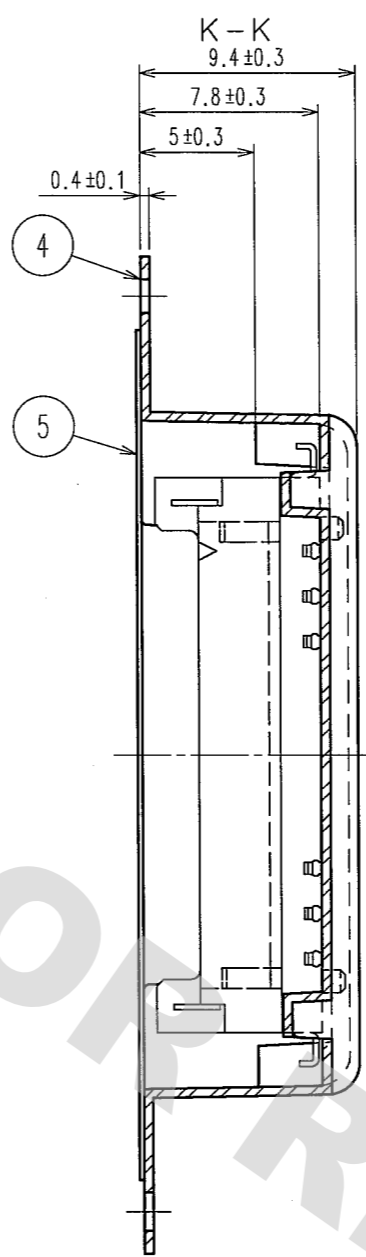
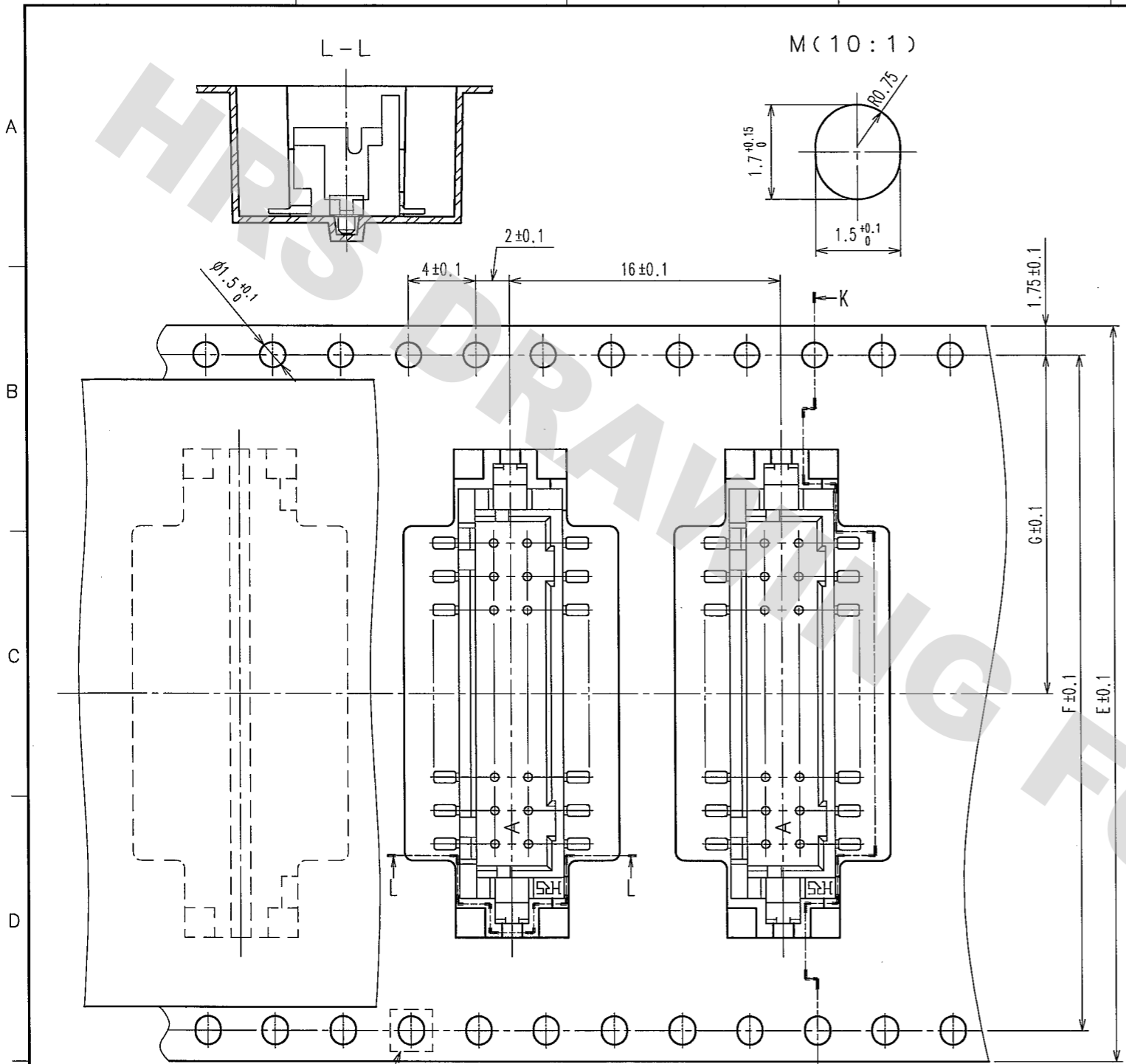


NOTES 1 IF THERE IS PATTERN ON PART, THERE IS A POSSIBILITY THAT IT WILL MAKE CONTACT WITH THE LEADS.
2 : LEAD CO-PLANARITY INCLUDE REINFORCED METAL FITTINGS SHALL BE 0.1mm MAX.

2	BRASS	SURFACE:TIN PLATED 1μ m min UNDER PLATING:NICKEL PLATED 0.5μ m min	5	POLYESTER	CLEAR(COVER TAPE)	
1	POLYAMIDE	UL94V-0,NATURAL (BEIGE)	4		CLEAR(EMBOSSED CARRIER TAPE)	
NO.	MATERIAL	FINISH, REMARKS	NO.	MATERIAL	FINISH, REMARKS	
3	BRASS	TIN PLATED 1μ m min				
CODE NO. (OLD)		DRAWN	DESIGNED	CHECKED	APPROVED	RELEASED
		F.Matsuki	I.Denpouya	T.Miyazaki	T.Miyazaki	
		'05.01.18	'05.01.18	'05.01.20	'05.01.20	
DRAWING NO.		PART NO.				
EDC3-306017-02		DF11Z-*DP-2V(21)				
SCALE		CODE NO.				
5 : 1		CL543-				
UNITS						
mm						

TO

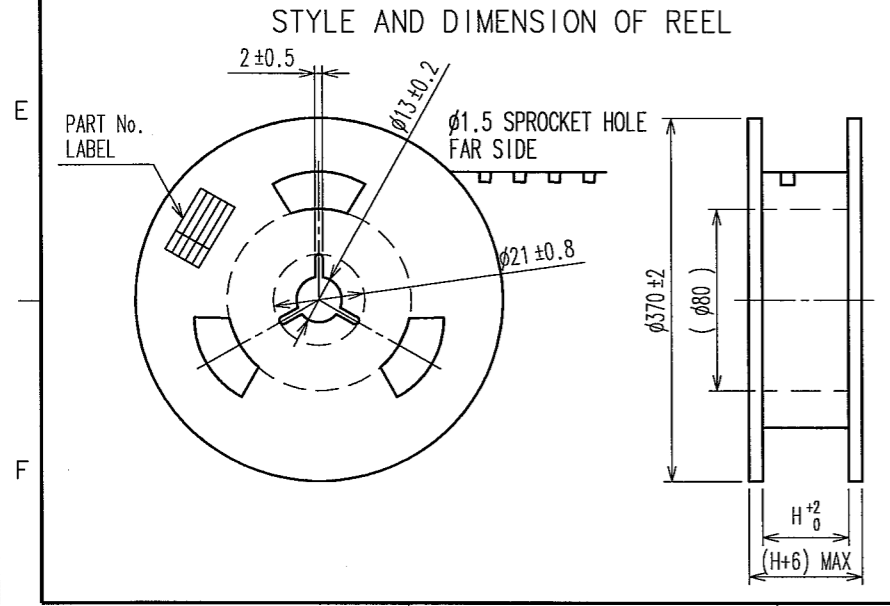
COUNT	DESCRIPTION OF REVISIONS	BY	CHKD	DATE	COUNT	DESCRIPTION OF REVISIONS	BY	CHKD	DATE



CODE No.	PART No.	NUMBER OF CONTACT	E	F	G	H	J
CL543-2017-3-21	DF11Z- 4DP-2V(21)	4	24.0	—	11.5	24.4	PS
CL543-2018-6-21	DF11Z- 6DP-2V(21)	6	24.0	—	11.5	24.4	A-PET
CL543-2019-9-21	DF11Z- 8DP-2V(21)	8	24.0	—	11.5	24.4	PS
CL543-2020-8-21	DF11Z-10DP-2V(21)	10	32.0	28.4	14.2	32.4	PS
CL543-2021-0-21	DF11Z-12DP-2V(21)	12	32.0	28.4	14.2	32.4	PS
CL543-2022-3-21	DF11Z-14DP-2V(21)	14	44.0	40.4	20.2	44.4	PS
CL543-2023-6-21	DF11Z-16DP-2V(21)	16	44.0	40.4	20.2	44.4	A-PET
CL543-2024-9-21	DF11Z-18DP-2V(21)	18	44.0	40.4	20.2	44.4	A-PET
CL543-2025-1-21	DF11Z-20DP-2V(21)	20	44.0	40.4	20.2	44.4	PS
CL543-2026-4-21	DF11Z-22DP-2V(21)	22	44.0	40.4	20.2	44.4	PS
CL543-2027-7-21	DF11Z-24DP-2V(21)	24	56.0	52.4	26.2	56.4	PS
CL543-2028-0-21	DF11Z-26DP-2V(21)	26	56.0	52.4	26.2	56.4	A-PET
CL543-2029-2-21	DF11Z-28DP-2V(21)	28	56.0	52.4	26.2	56.4	A-PET
CL543-2030-1-21	DF11Z-30DP-2V(21)	30	56.0	52.4	26.2	56.4	PS
CL543-2031-4-21	DF11Z-32DP-2V(21)	32	56.0	52.4	26.2	56.4	PS

- NOTES
- 3 1 REEL:500 CONNECTORS.
 - 4 AT THE BEGINNING OF THE REEL, 15 COMPONENTS SHALL BE EMPTY.
 - AT THE END OF THE REEL, 10 COMPONENTS SHALL BE EMPTY.
 - 5 WHEN THE TAPE WIDTH IS 32, 44 AND 56mm, SPROCKET HOLES SHALL BE SET ON BOTH SIDES OF REEL AS SHOWN ON THIS DRAWING.
 - 6 THE MATERIAL OF THE EMBOSSED CARRIER TAPE REFERS TO THE TABLE.
 - 7 DETAIL OF PART No. LABEL IS WRITTEN IN JAPANESE.
 - 8 THE REEL IS POLYETHYLENE PACKAGED WITH AN DRY AGENT INSIDE FOR MOISTURE-PROOF PACKAGING.
 - 9 FOR THE STORAGE OF 168 HOURS OR MORE AFTER OPENING THE PACKAGE, KEEP THE PRODUCTS UNDER MOISTURE PROOF CONDITIONS.
 - 10 EXCEPT ON THE MATING SURFACE, COMPONENT INFLATION DOES NOT AFFECT THE PRODUCTS PERFORMANCE.

DRAWING FOR REFERENCE: This is subject to change without notice
08/11/2012



SUPPLIER
QUANTITY
PART No.
CODE No.
DATE OF MANUFACTURED

7> DETAIL OF PART No. LABEL

生産月日	年月日
図番	CL543-****-21
品名	DF11Z-*DP-2V(21)
納入数量	500 KO
納入者	ヒロセ電機 株式会社

CODE NO. (OLD)	DRAWN	DESIGNED	CHECKED	APPROVED	RELEASED
	F.Matsuki	I.Denpouya	T.Miyazaki	T.Miyazaki	
	'05.01.18	'05.01.18	'05.01.20	'05.01.20	
DRAWING NO.	PART NO.				
EDC3-306017-02	DF11Z-*DP-2V(21)				
SCALE FREE UNITS mm	CODE NO.				
HRS HIROSE ELECTRIC CO., LTD	CL543-		2		

X-ON Electronics

Largest Supplier of Electrical and Electronic Components

Click to view similar products for [Headers & Wire Housings](#) category:

Click to view products by [Hirose](#) manufacturer:

Other Similar products are found below :

[892-18-020-10-001101](#) [58102-G61-06LF](#) [582553-1](#) [0009485154](#) [009176003701906](#) [0050291907](#) [LY20-4P-DT1-P1E-BR](#) [02.125.8002.8](#)
[609-3404](#) [61062-3](#) [622-0430](#) [622-3653LF](#) [63453-116](#) [636-1030](#) [636-1427](#) [636-3427](#) [636-4007](#) [641938-9](#) [641991-4](#) [644827-2](#) [65817-010LF](#)
[65817-015LF](#) [65863-015LF](#) [66207-023LF](#) [67095-007LF](#) [67601157](#) [68648-049](#) [70.362.1628.0](#) [70-4210](#) [70-4226B](#) [70-4853B](#) [707-5020](#) [707-](#)
[5028](#) [71.350.2428.0](#) [71918-208LF](#) [71961-016LF](#) [733-134](#) [733-162](#) [754199-000](#) [760-3052](#) [787-8014-00](#) [79531-3000](#) [FCN-360C032-B](#) [FCN-](#)
[367T-T012/H](#) [FCN-723D010/2](#) [80.063.4001.1](#) [800-90-001-10-001000](#) [800-90-010-10-002000](#) [801-43-002-10-013000](#) [801-43-006-10-002000](#)