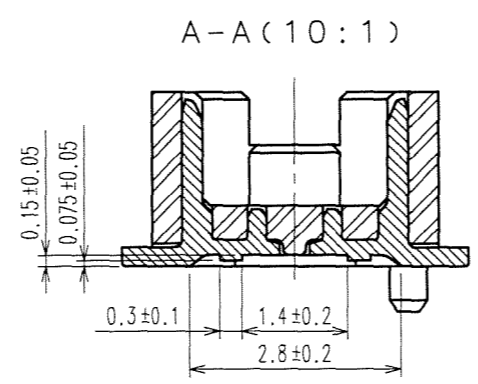
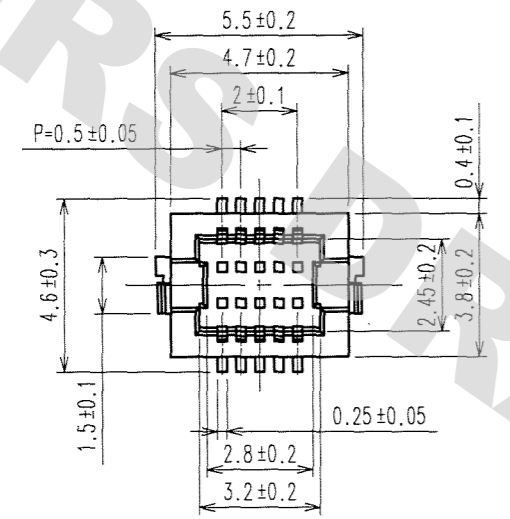
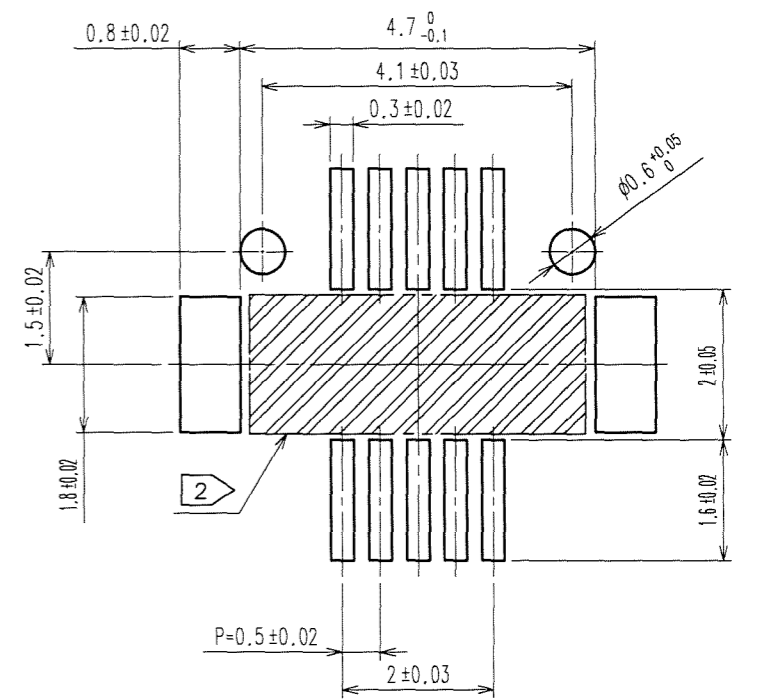
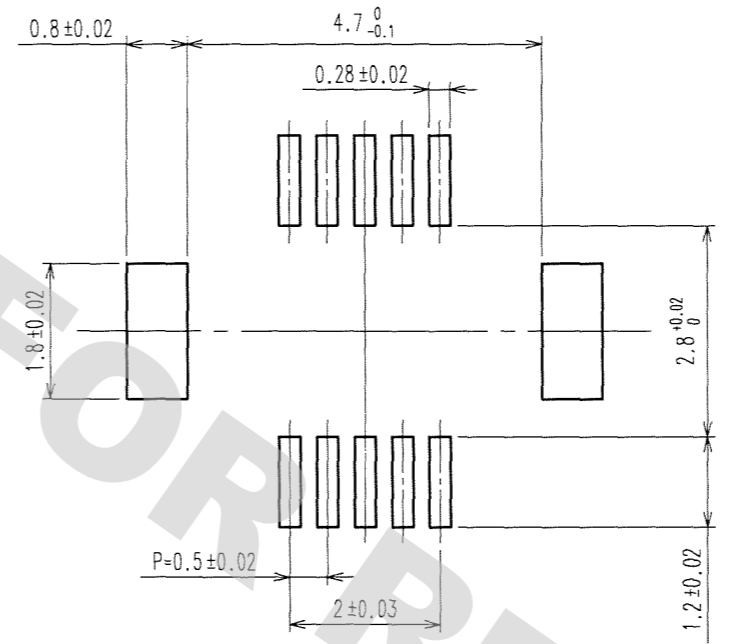


| COUNT | DESCRIPTION OF REVISIONS | BY | CHKD | DATE | COUNT | DESCRIPTION OF REVISIONS | BY | CHKD | DATE |
|-------|--------------------------|-----|------|----------|-------|--------------------------|----|------|------|
| 1 | DIS-H-002435 | Y.M | T.M | 07.09.10 | | | | | |

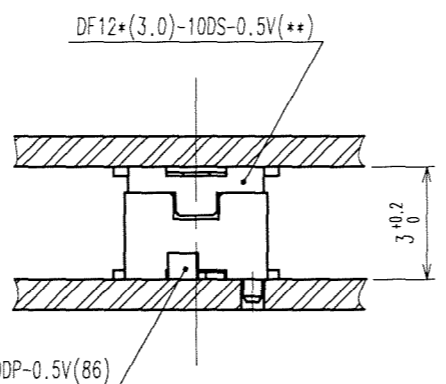
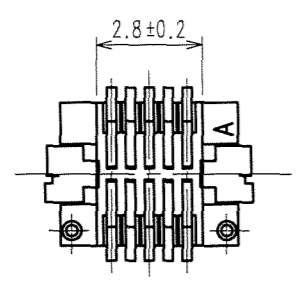
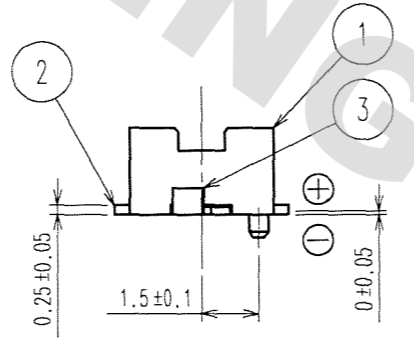
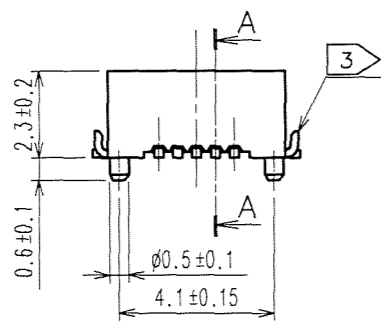


RECOMMEND METAL MASK PATTERN (10:1)

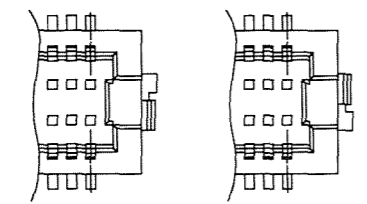
RECOMMENDED LAND PATTERN (10:1)



RECOMMENDED THICKNESS OF SOLDER PASTE : 120 μm



- NOTES 1 : LEAD CO-PLANARITY SHALL BE 0.08 mm MAX.
 2 : IF THERE IS PATTERN ON PART, THERE IS A POSSIBILITY THAT IT WILL MAKE CONTACT WITH THE LEADS.
 3 : REINFORCED METAL FITTINGS AS FOLLOWS.



| 2 | PHOSPHOR BRONZE | CONTACT AREA:GOLD PLATED 0.2μm min LEAD AREA:GOLD PLATED 0.015μm min OTHERS(UNDER PLATING):NICKEL PLATED 2μm min | 6 | PS | BLACK (PLASTIC REEL) |
|----------------|-----------------|--|-------------------------|-----------|--|
| 1 | POLYAMIDE | UL94V-0, NATURAL (BEIGE) | 5 | POLYESTER | CLEAR (COVER TAPE) |
| | | | 4 | A-PET | CLEAR (EMBOSSED CARRIER TAPE) |
| | | | 3 | BRASS | TIN PLATED 2μm min (UNDER PLATING):NICKEL 1μm min |
| NO. | MATERIAL | FINISH, REMARKS | NO. | MATERIAL | FINISH, REMARKS |
| CODE NO. (OLD) | | | DRAWN | DESIGNED | CHECKED |
| | | | N.Sato | Y.MICHIDA | T.MIYAZAKI |
| | | | 07.2.27 | 07.2.27 | 07.2.27 |
| | | | APPROVED | RELEASED | |
| | | | M.NAKAMURA | | |
| | | | 07.2.27 | | |
| DRAWING NO. | | | PART NO. | | |
| EDC3-162968-10 | | | DF12(3.0)-10DP-0.5V(86) | | |
| SCALE | | | CODE NO. | | |
| 5 : 1 | | | CL537-0721-0-86 | | |
| UNITS | | | 1/2 | | |
| mm | | | | | |

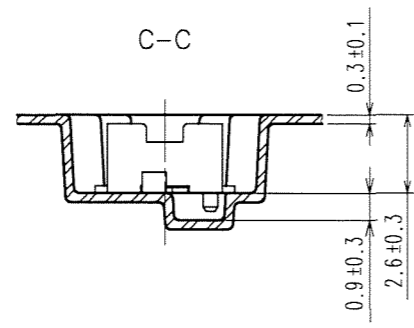
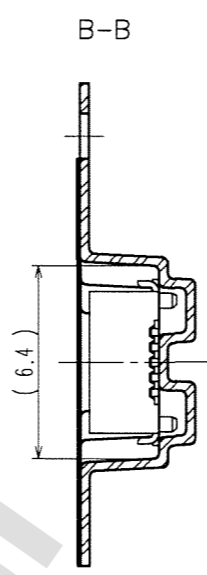
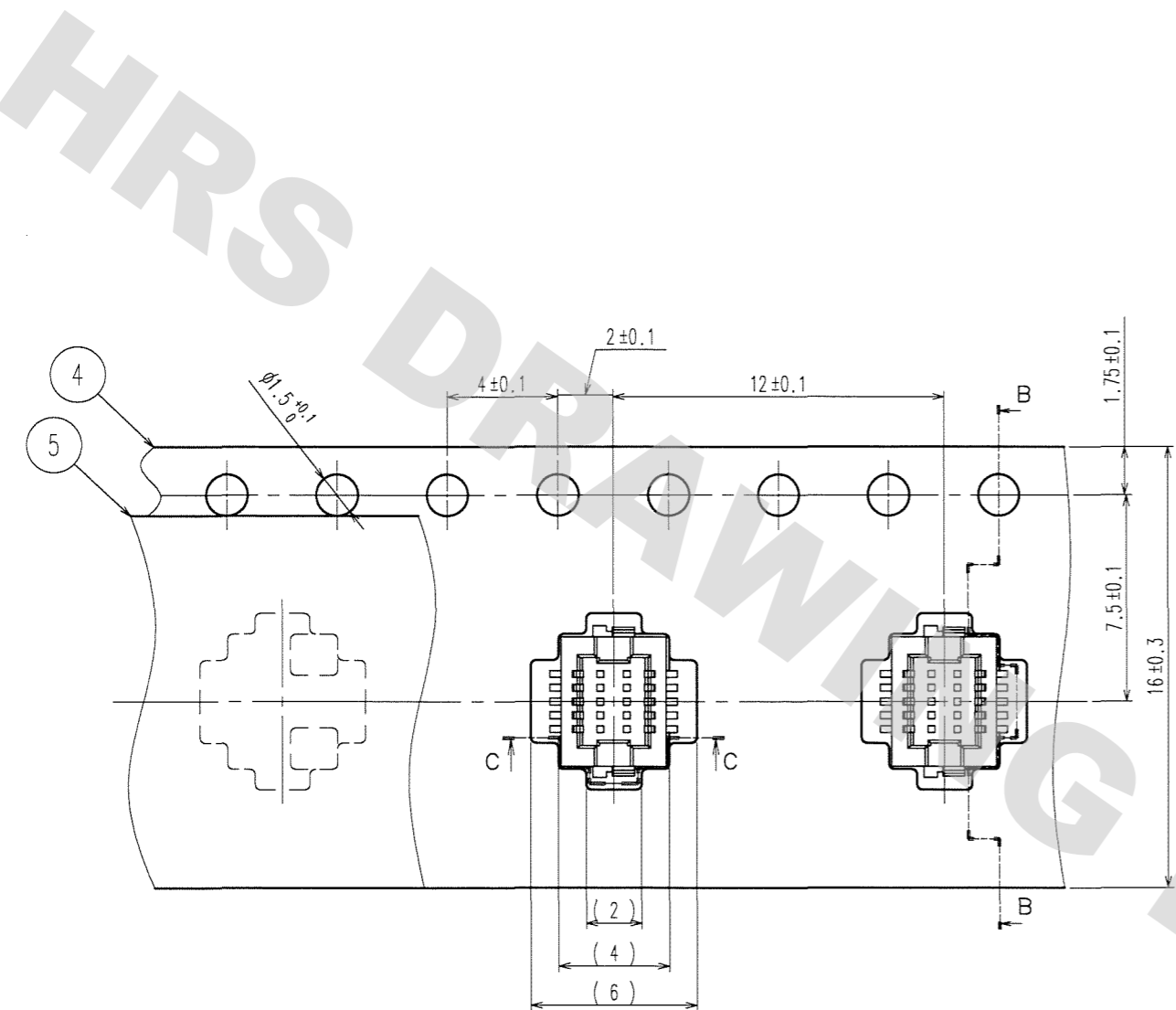
DRAWING FOR REFERENCE: This is subject to change without notice
08/11/2012

| |
|----|
| TO |
| |
| |
| |

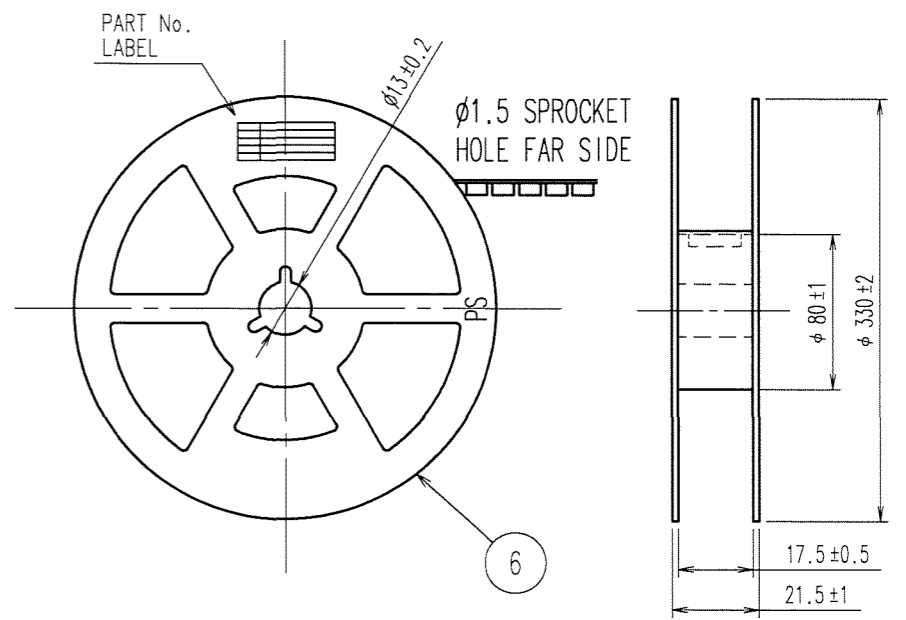
DRAWING FOR REFERENCE: This is subject to change without notice
08/11/2012

| |
|----|
| TO |
| |
| |
| |

| COUNT | DESCRIPTION OF REVISIONS | BY | CHKD | DATE | COUNT | DESCRIPTION OF REVISIONS | BY | CHKD | DATE |
|-------|--------------------------|----|------|------|-------|--------------------------|----|------|------|
| | | | | | | | | | |
| | | | | | | | | | |
| | | | | | | | | | |



STYLE AND DIMENSION OF REEL



SUPPLIER
QUANTITY
PART No.
CODE No.
DATE OF MANUFACTURED

DETAIL OF PART No. LABEL

| | |
|------|-------------------------|
| 生産月日 | 年 月 日 |
| 図番 | CL537-0721-0-86 |
| 品名 | DF12(3.0)-10DP-0.5V(86) |
| 納入数量 | 1000K ϕ |
| 納入者 | ヒロセ電機(株) |

- NOTES
- 4 : 1 REEL 1000 CONNECTORS.
 - 5 : AT THE BEGINNING OF THE REEL, 30 COMPONENTS SHALL BE EMPTY.
AT THE END OF THE REEL, 20 COMPONENTS SHALL BE EMPTY.
 - 6 : PEEL FORCE REFERS TO JIS C 0806.
 - 7 : THE REEL IS PACKED WITH A POLYETHYLENE MATERIAL, TOGETHER WITH A DRYING AGENT.

| | | | | | |
|-------------------------------|-------------------------------------|-----------|-----------------------------|------------|----------|
| CODE NO. (OLD) | DRAWN | DESIGNED | CHECKED | APPROVED | RELEASED |
| | N.Sato | Y.MICHIDA | T.MIYAZAKI | M.NAKAMURA | |
| | 07.2.27 | 07.2.27 | 07.2.27 | 07.2.27 | |
| DRAWING NO. EDC3-162968-10 | PART NO. DF12(3.0)-10DP-0.5V(86) | | | | |
| SCALE FR:EE | HRS HIROSE ELECTRIC CO., LTD | | CODE NO. CL537-0721-0-86 | | |
| UNITS mm | | | 2/2 | | |

X-ON Electronics

Largest Supplier of Electrical and Electronic Components

Click to view similar products for [Board to Board & Mezzanine Connectors](#) category:

Click to view products by [Hirose](#) manufacturer:

Other Similar products are found below :

[589158040000018](#) [MDF7C-18P-2.54DSA\(55\)](#) [FCN-230C068-11](#) [FCN-268F012-G/BD](#) [FCN-268F036-G/BD](#) [FCN-268M012-G/0D](#) [FCN-268M024-G/1D](#) [FCN-723J004/1](#) [MIS-048-01-F-D-DP-K](#) [832-10-034-10-001000](#) [FX4C-80S-1.27DSA](#) [FCN-214Q030-G/0](#) [FCN-234P048-G/0](#) [FCN-235D050-G/C](#) [210-93-314-41-105000](#) [2-22603-0](#) [MDF7-40DP-2.54DSA\(55\)](#) [AXG720047](#) [MIT-114-03-F-D-K](#) [55323-1519](#) [DF33-2P-3.3DSA\(24\)](#) [YFT-20-05-H-03-SB-K](#) [503308-3040](#) [026-6203-PDB](#) [027-6203-PDB](#) [069159702701000](#) [10123981-102LF](#) [101A10019X](#) [55650-0588-C](#) [68682-310LF](#) [68684-306](#) [75140-7012](#) [87471-650](#) [YTW-30-07-H-Q-410-140](#) [FCN-268F024-G0D](#) [10124054-515LF](#) [68685-603](#) [8-1616154-3](#) [MIS-019-01-F-D](#) [FCN-268M024-G/3D](#) [FCN-268M036-G/BD](#) [20021832-06016C1LF](#) [KX15-20KLDL-E1000E](#) [AXE810124](#) [FCN-214J100-G/0](#) [FCN-230C068-E/S](#) [AXE812124](#) [AXE816124](#) [AXE720127](#) [354184](#)