

COUNT	DESCRIPTION OF REVISIONS	BY	CHKD	DATE	COUNT	DESCRIPTION OF REVISIONS	BY	CHKD	DATE
△					△				
△					△				
△					△				

A

B

C

D

E

F

A

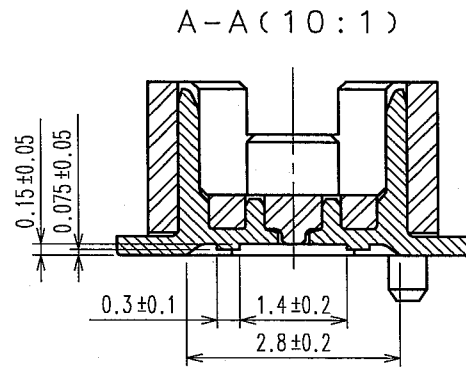
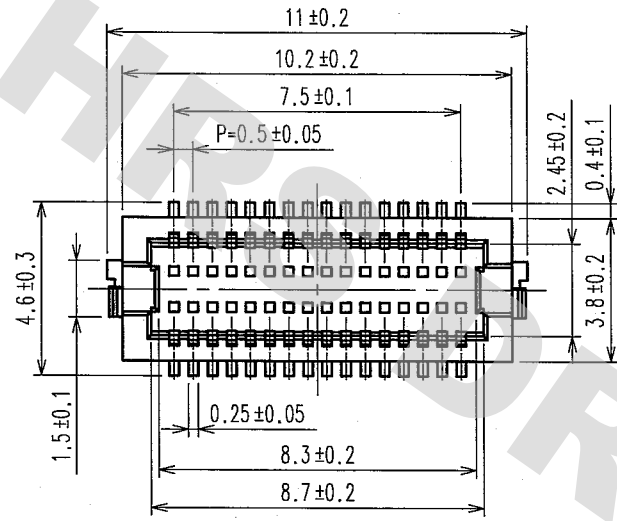
B

C

D

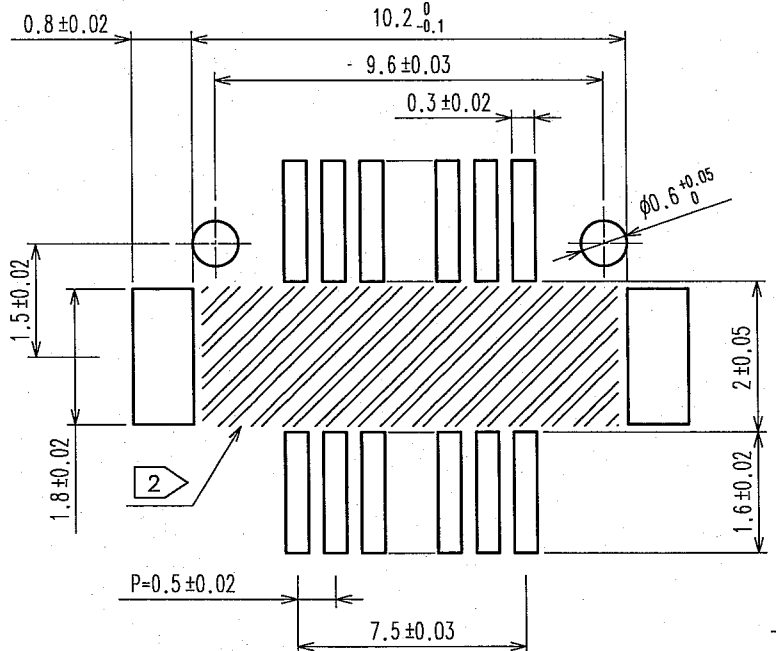
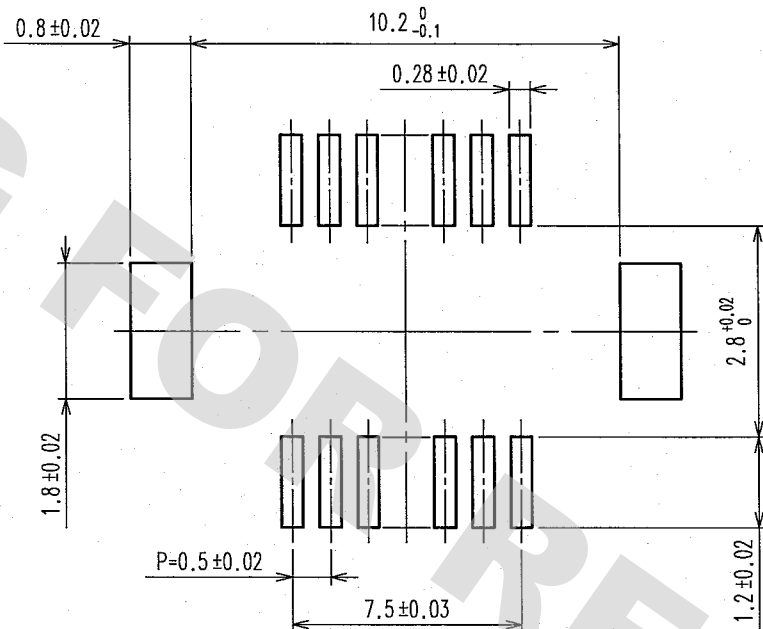
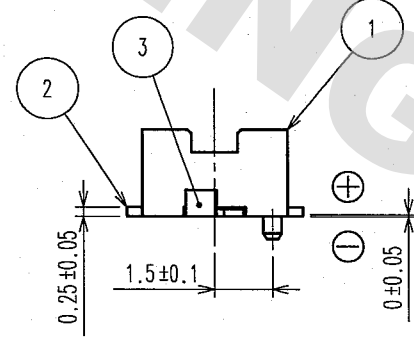
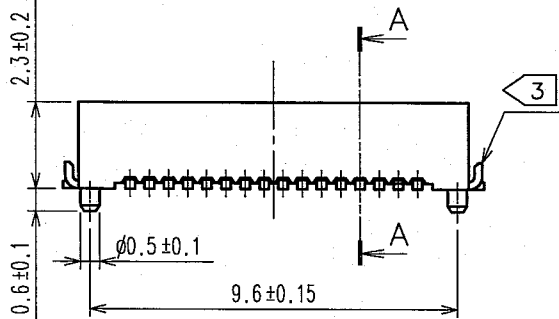
E

F

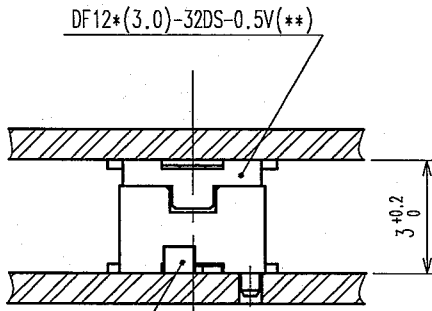
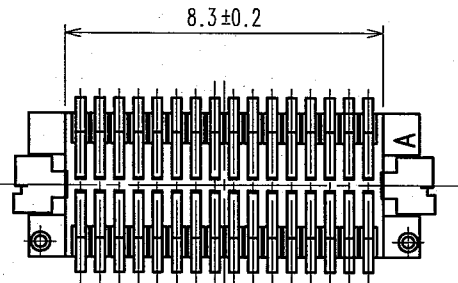


RECOMMEND METAL MASK PATTERN (10:1)

RECOMMENDED LAND PATTERN (10:1)



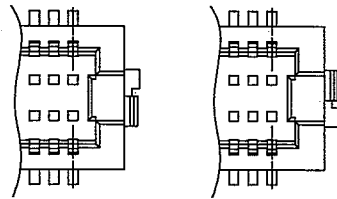
RECOMMENDED THICKNESS OF SOLDER PASTE : 120 μm



DF12(3.0)-32DP-0.5V(86)

DF12*(3.0)-32DS-0.5V(**)

- NOTES 1 : LEAD CO-PLANARITY SHALL BE 0.08 mm MAX.
 2 : IF THERE IS PATTERN ON PART, THERE IS A POSSIBILITY THAT IT WILL MAKE CONTACT WITH THE LEADS.
 3 : REINFORCED METAL FITTINGS AS FOLLOWS.



2	PHOSPHOR BRONZE	CONTACT AREA:GOLD PLATED 0.2μ m min LEAD AREA:GOLD PLATED 0.015μ m min OTHERS(UNDER PLATING):NICKEL PLATED 2μ m min	6	PS	BLACK (PLASTIC REEL)
1	POLYAMIDE	UL94V-0, NATURAL (BEIGE)	5	POLYESTER	CLEAR (COVER TAPE)
			4	A-PET	CLEAR (EMBOSSED CARRIER TAPE)
			3	BRASS	TIN PLATED 2μ m min (UNDER PLATING):NICKEL 1μ m min
NO.	MATERIAL	FINISH, REMARKS	NO.	MATERIAL	FINISH, REMARKS

CODE NO. (OLD)	DRAWN	DESIGNED	CHECKED	APPROVED	RELEASED
	A.AOYAGI 07.11.05	G. Michino 07.11.07	T. Miyazaki 07.11.07	K. Ikeda 07.11.07	

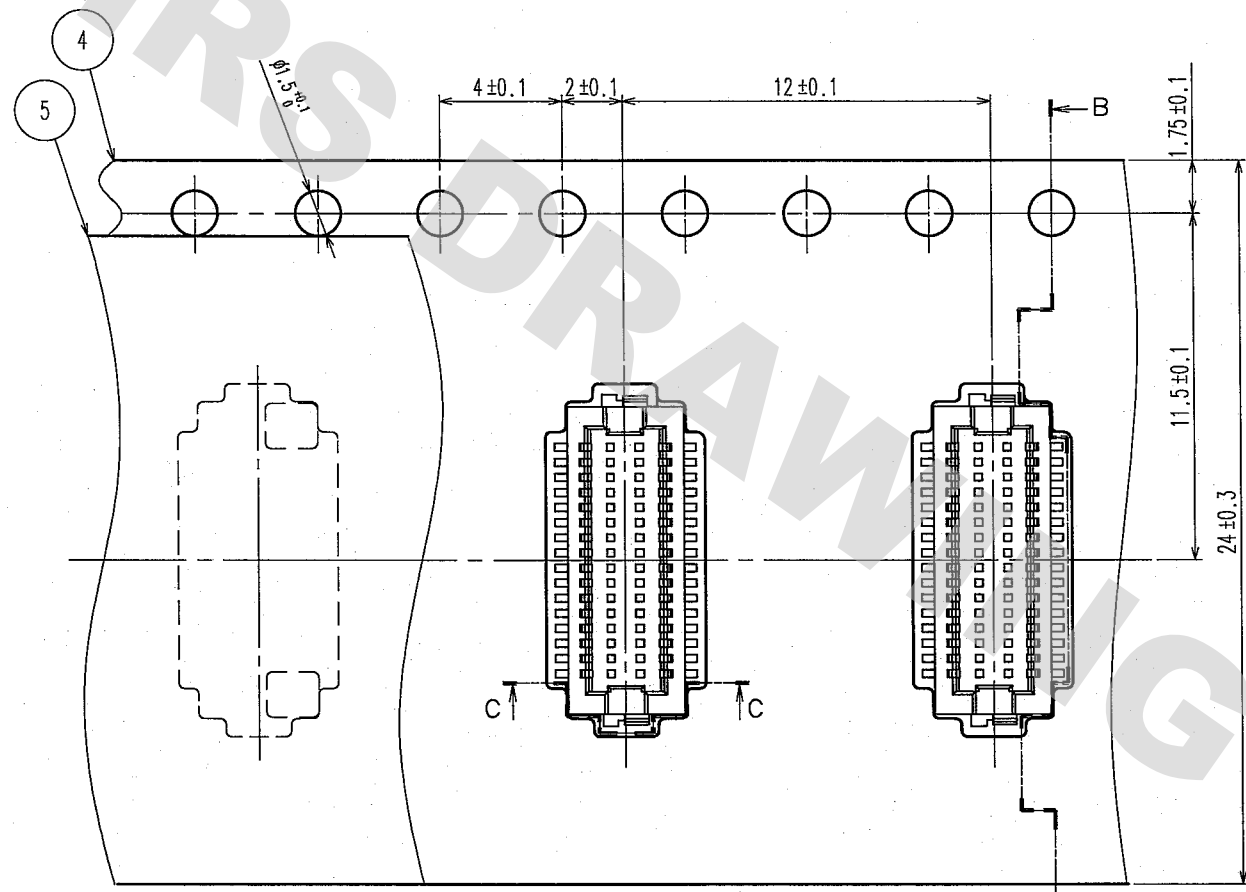
SCALE 5 : 1 UNITS mm	DRAWING NO. EDC3-160497-01 HRS HIROSE ELECTRIC CO., LTD	PART NO. DF12(3.0)-32DP-0.5V(86) CODE NO. CL537-0732-6-86	1/2
-------------------------------	---	--	-----

DRAWING FOR REFERENCE: This is subject to change without notice
08/11/2012

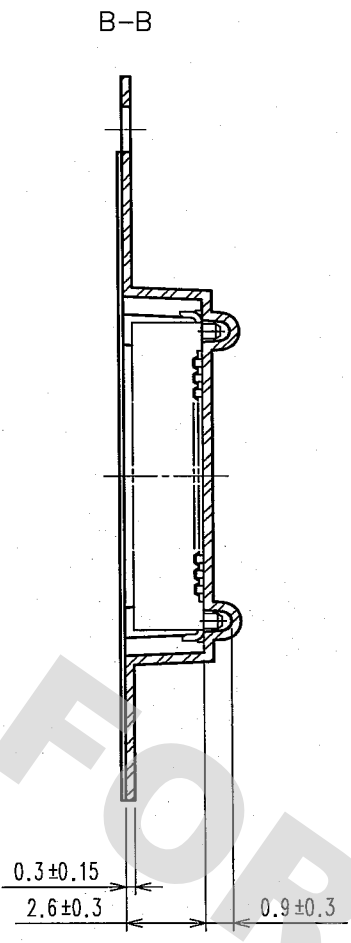
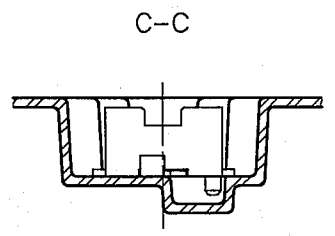
TO

DRAWING FOR REFERENCE: This is subject to change without notice
08/11/2012

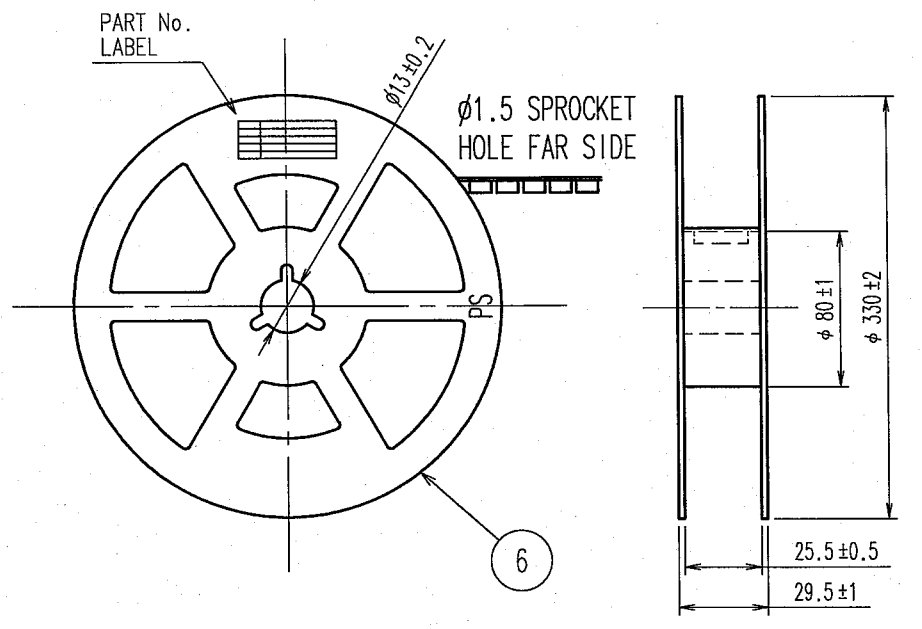
5					6					7					8				
COUNT	DESCRIPTION OF REVISIONS				BY	CHKD	DATE	COUNT	DESCRIPTION OF REVISIONS				BY	CHKD	DATE				
△							..	△							..				
△							..	△							..				
△							..	△							..				



DIRECTION OF UNREELING →



STYLE AND DIMENSION OF REEL



SUPPLIER
QUANTITY
PART No.
CODE No.
DATE OF MANUFACTURED

DETAIL OF PART No. LABEL

生産月日	年 月 日
図番	CL537-0732-6-86
品名	DF12(3.0)-32DP-0.5V(86)
納入数量	1000K ϕ
納入者	ヒロセ電機(株)

- NOTES
- 4 : 1 REEL 1000 CONNECTORS.
 - 5 : AT THE BEGINNING OF THE REEL, 30 COMPONENTS SHALL BE EMPTY.
AT THE END OF THE REEL, 20 COMPONENTS SHALL BE EMPTY.
 - 6 : PEEL FORCE REFERS TO JIS C 0806.
 - 7 : THE REEL IS PACKED WITH A POLYETHYLENE MATERIAL, TOGETHER WITH A DRYING AGENT.

CODE NO. (OLD)	DRAWN A.AOYAGI 07.11.05	DESIGNED J. Michida 07.11.06	CHECKED T. Miyajiki 07.11.07	APPROVED K. Ikeda 07.11.07	RELEASED
DRAWING NO. EDC3-160497-01		PART NO. DF12(3.0)-32DP-0.5V(86)			
SCALE FR:EE		CODE NO. CL537-0732-6-86			2/2
UNITS mm		HRS HIROSE ELECTRIC CO., LTD.			

(NCB)

X-ON Electronics

Largest Supplier of Electrical and Electronic Components

Click to view similar products for [Board to Board & Mezzanine Connectors](#) category:

Click to view products by [Hirose](#) manufacturer:

Other Similar products are found below :

[589158040000018](#) [MDF7C-18P-2.54DSA\(55\)](#) [FCN-230C068-11](#) [FCN-268F012-G/BD](#) [FCN-268F036-G/BD](#) [FCN-268M012-G/0D](#) [FCN-268M024-G/1D](#) [FCN-723J004/1](#) [MIS-048-01-F-D-DP-K](#) [832-10-034-10-001000](#) [FX4C-80S-1.27DSA](#) [FCN-214Q030-G/0](#) [FCN-234P048-G/0](#) [FCN-235D050-G/C](#) [210-93-314-41-105000](#) [2-22603-0](#) [MDF7-40DP-2.54DSA\(55\)](#) [AXG720047](#) [MIT-114-03-F-D-K](#) [55323-1519](#) [DF33-2P-3.3DSA\(24\)](#) [YFT-20-05-H-03-SB-K](#) [503308-3040](#) [026-6203-PDB](#) [027-6203-PDB](#) [069159702701000](#) [10123981-102LF](#) [101A10019X](#) [55650-0588-C](#) [68682-310LF](#) [68684-306](#) [75140-7012](#) [87471-650](#) [YTW-30-07-H-Q-410-140](#) [FCN-268F024-G0D](#) [10124054-515LF](#) [68685-603](#) [8-1616154-3](#) [MIS-019-01-F-D](#) [FCN-268M024-G/3D](#) [FCN-268M036-G/BD](#) [20021832-06016C1LF](#) [KX15-20KLDL-E1000E](#) [AXE810124](#) [FCN-214J100-G/0](#) [FCN-230C068-E/S](#) [AXE812124](#) [AXE816124](#) [AXE720127](#) [354184](#)