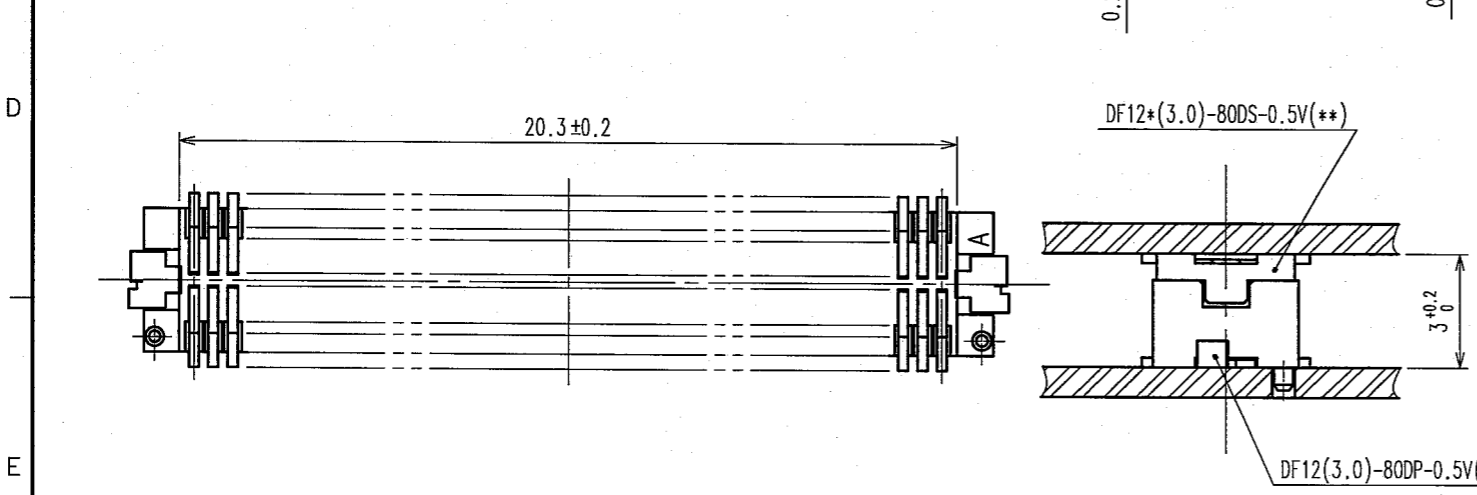
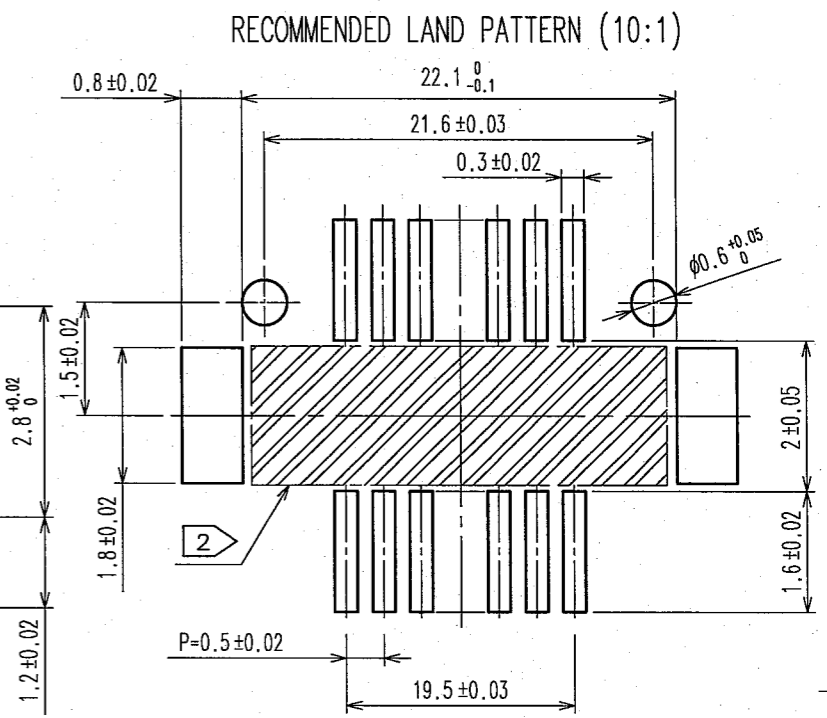
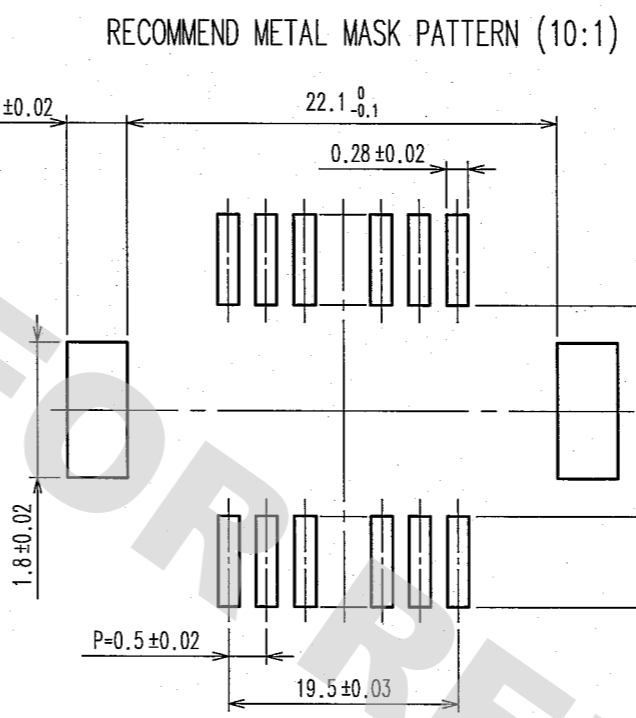
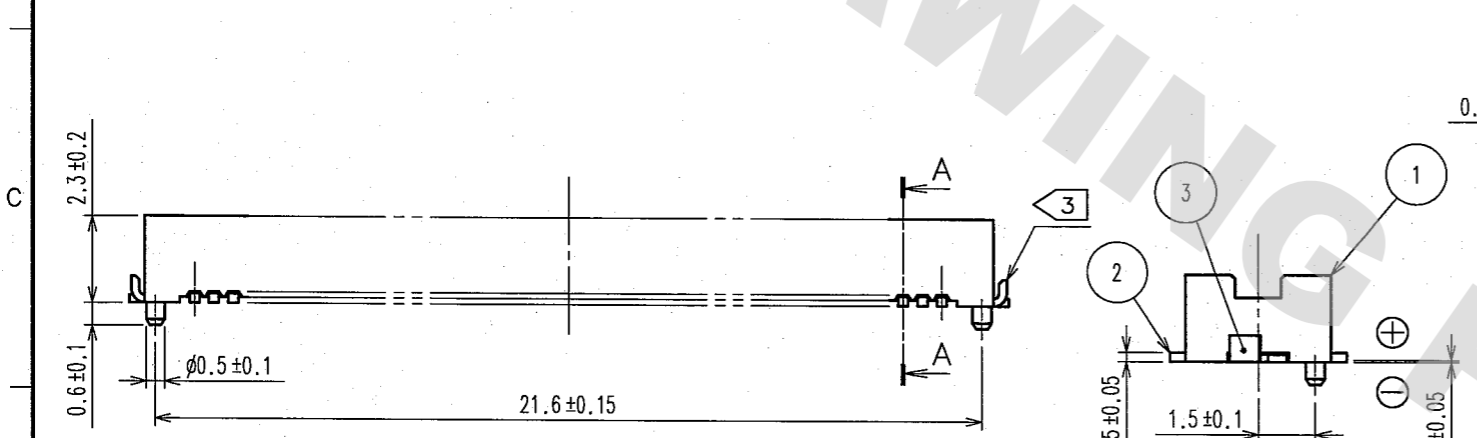
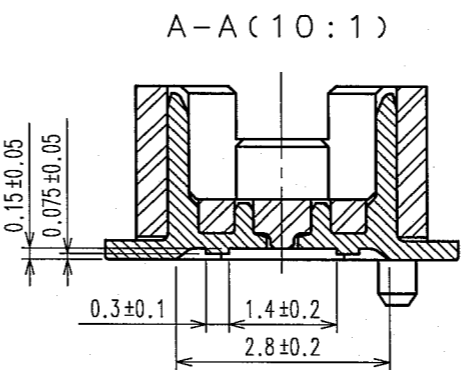
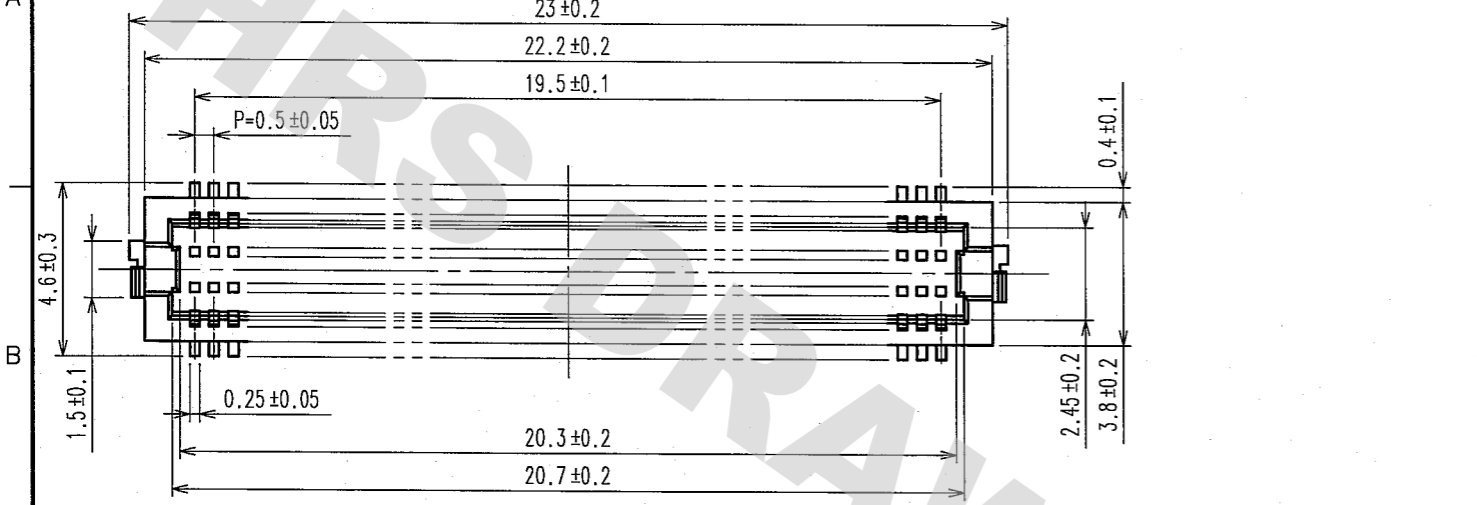
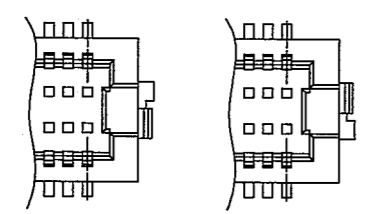


COUNT	DESCRIPTION OF REVISIONS	BY	CHKD	DATE	COUNT	DESCRIPTION OF REVISIONS	BY	CHKD	DATE



RECOMMENDED THICKNESS OF SOLDER PASTE : 120 μm

NOTES 1 : LEAD CO-PLANARITY SHALL BE 0.08 mm MAX.
 2 IF THERE IS PATTERN ON PART, THERE IS A POSSIBILITY THAT IT WILL MAKE CONTACT WITH THE LEADS.
 3 REINFORCED METAL FITTINGS AS FOLLOWS.



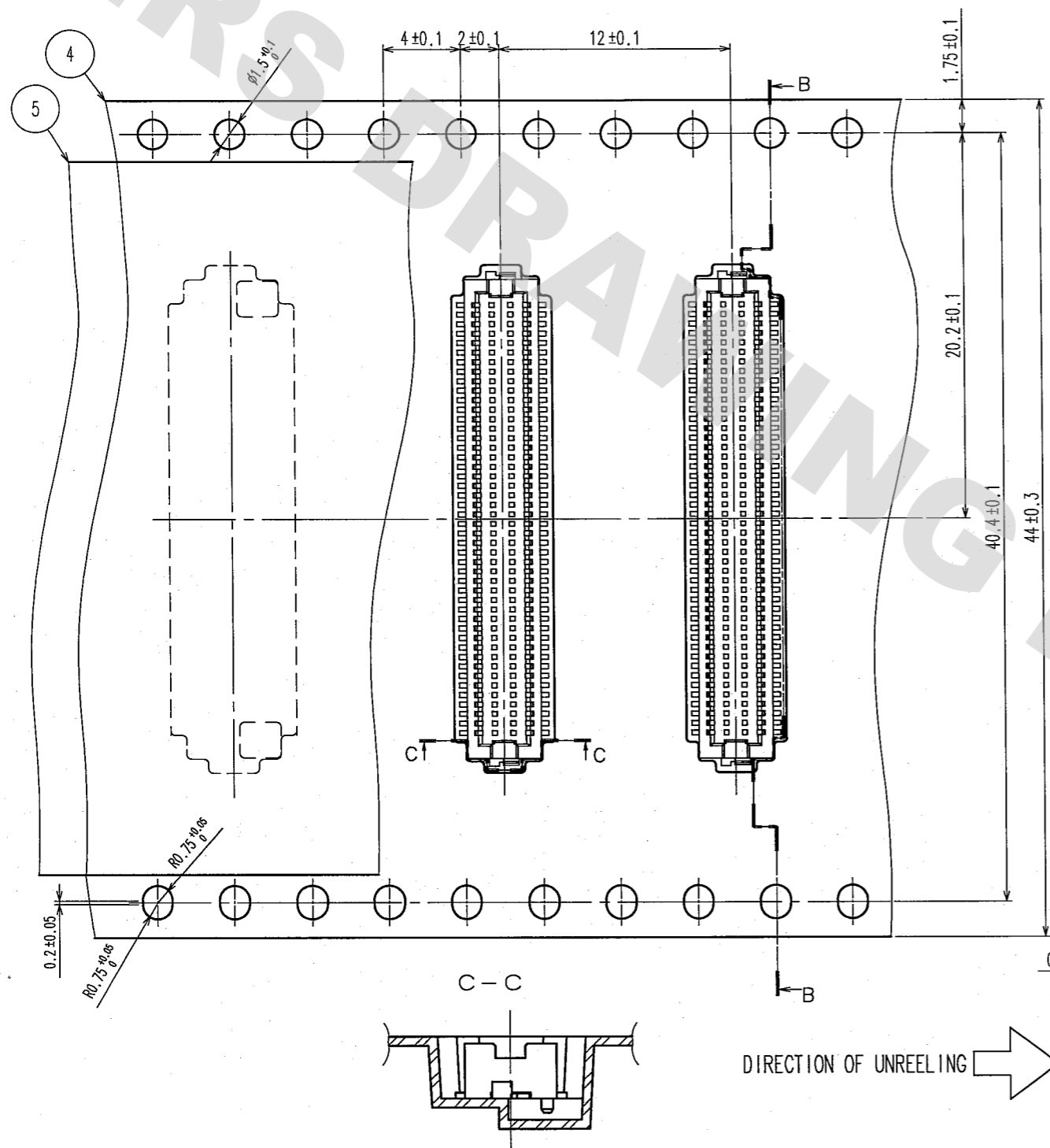
2	PHOSPHOR BRONZE	CONTACT AREA: GOLD PLATED 0.2 μm min LEAD AREA: GOLD PLATED 0.015 μm min OTHERS (UNDER PLATING): NICKEL PLATED 2 μm min	6	PS	BLACK (PLASTIC REEL)
1	POLYAMIDE	UL94V-0, NATURAL (BEIGE)	5	POLYESTER	CLEAR (COVER TAPE)
			4	A-PET	CLEAR (EMBOSSED CARRIER TAPE)
			3	BRASS	TIN PLATED 2 μm min (UNDER PLATING): NICKEL 1 μm min

NO.	MATERIAL	FINISH, REMARKS	NO.	MATERIAL	FINISH, REMARKS
CODE NO. (OLD)			DRAWN	DESIGNED	CHECKED
			A.AOYAGI	J. Michida	T. Mizuyaki
			07.11.05	07.11.07	07.11.07
DRAWING NO.			PART NO.		
EDC3-161618-04			DF12(3.0)-80DP-0.5V(86)		
SCALE			CODE NO.		
5 : 1			CL537-0733-9-86		
UNITS			1/2		
mm			HRS HIROSE ELECTRIC CO., LTD		

DRAWING FOR REFERENCE: This is subject to change without notice
08/11/2012

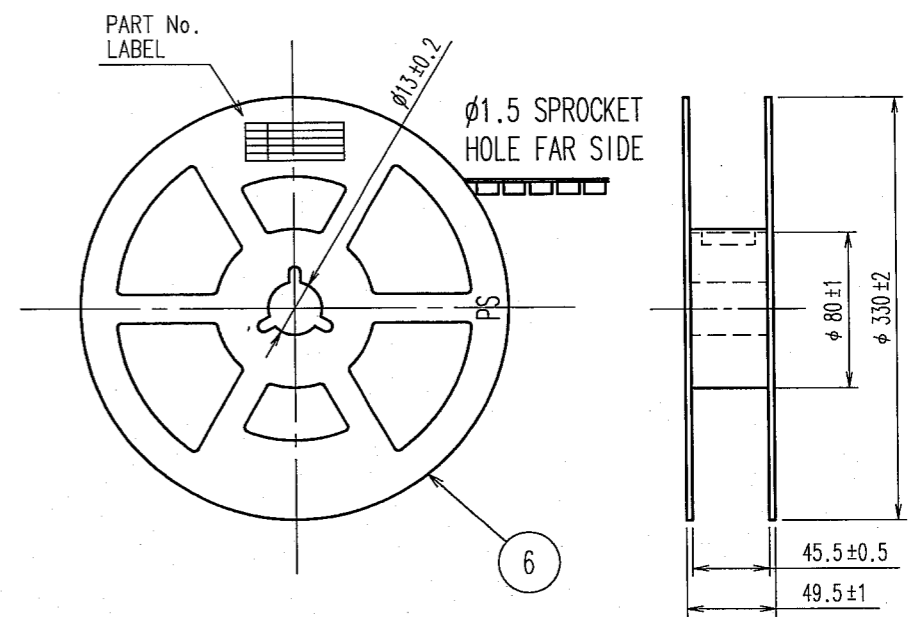
TO

COUNT	DESCRIPTION OF REVISIONS	BY	CHKD	DATE	COUNT	DESCRIPTION OF REVISIONS	BY	CHKD	DATE
△					△				
△					△				
△					△				



B-B

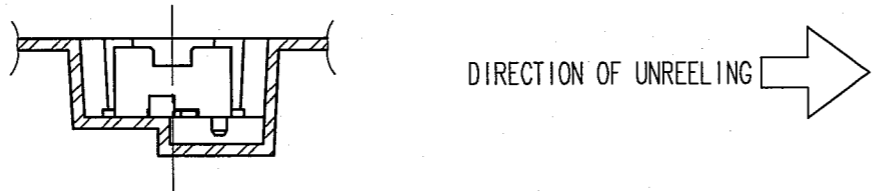
STYLE AND DIMENSION OF REEL



SUPPLIER
 QUANTITY
 PART No.
 CODE No.
 DATE OF MANUFACTURED

DETAIL OF PART No. LABEL

生産月日	年 月 日
図番	CL537-0733-9-86
品名	DF12(3.0)-80DP-0.5V(86)
納入数量	1000K ϕ
納入者	ヒロセ電機(株)



- NOTES 4 : 1 REEL 1000 CONNECTORS.
 5 : AT THE BEGINNING OF THE REEL, 30 COMPONENTS SHALL BE EMPTY.
 AT THE END OF THE REEL, 20 COMPONENTS SHALL BE EMPTY.
 6 : PEEL FORCE REFERS TO JIS C 0806.
 7 : THE REEL IS PACKED WITH A POLYETHYLENE MATERIAL, TOGETHER WITH A DRYING AGENT.

CODE NO. (OLD)	DRAWN A. AOYAGI 07.11.05	DESIGNED <i>G. Michida</i> 07.11.07	CHECKED <i>T. Higayaki</i> 07.11.07	APPROVED <i>K. Okada</i> 07.11.07	RELEASED
DRAWING NO. EDC3-161618-04	PART NO. DF12(3.0)-80DP-0.5V(86)		CODE NO. CL537-0733-9-86		
SCALE FR:EE	UNITS mm		HRS HIROSE ELECTRIC CO., LTD		

DRAWING FOR REFERENCE: This is subject to change without notice
08/11/2012

TO

(NCB)

X-ON Electronics

Largest Supplier of Electrical and Electronic Components

Click to view similar products for [Board to Board & Mezzanine Connectors](#) category:

Click to view products by [Hirose](#) manufacturer:

Other Similar products are found below :

[589158040000018](#) [MDF7C-18P-2.54DSA\(55\)](#) [FCN-230C068-11](#) [FCN-268F012-G/BD](#) [FCN-268F036-G/BD](#) [FCN-268M012-G/0D](#) [FCN-268M024-G/1D](#) [FCN-723J004/1](#) [MIS-048-01-F-D-DP-K](#) [832-10-034-10-001000](#) [FX4C-80S-1.27DSA](#) [FCN-214Q030-G/0](#) [FCN-234P048-G/0](#) [FCN-235D050-G/C](#) [210-93-314-41-105000](#) [2-22603-0](#) [MDF7-40DP-2.54DSA\(55\)](#) [AXG720047](#) [MIT-114-03-F-D-K](#) [55323-1519](#) [DF33-2P-3.3DSA\(24\)](#) [YFT-20-05-H-03-SB-K](#) [503308-3040](#) [026-6203-PDB](#) [027-6203-PDB](#) [069159702701000](#) [10123981-102LF](#) [101A10019X](#) [55650-0588-C](#) [68682-310LF](#) [68684-306](#) [75140-7012](#) [87471-650](#) [YTW-30-07-H-Q-410-140](#) [FCN-268F024-G0D](#) [10124054-515LF](#) [68685-603](#) [8-1616154-3](#) [MIS-019-01-F-D](#) [FCN-268M024-G/3D](#) [FCN-268M036-G/BD](#) [20021832-06016C1LF](#) [KX15-20KLDL-E1000E](#) [AXE810124](#) [FCN-214J100-G/0](#) [FCN-230C068-E/S](#) [AXE812124](#) [AXE816124](#) [AXE720127](#) [354184](#)