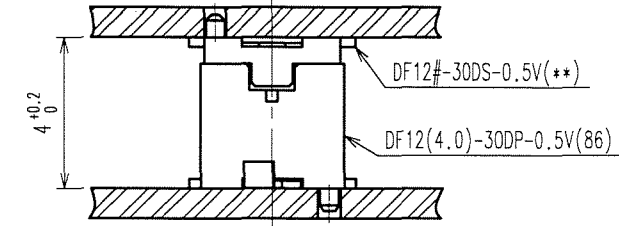
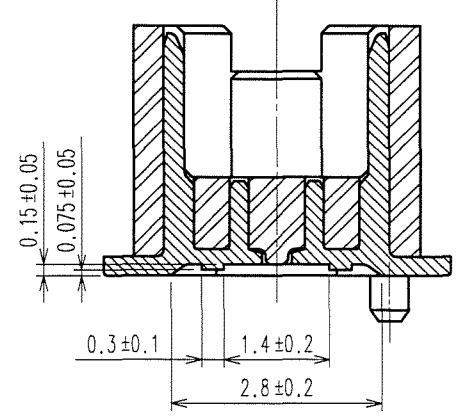
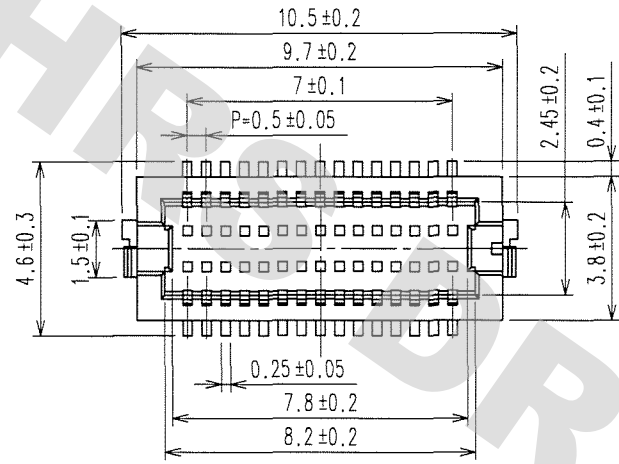


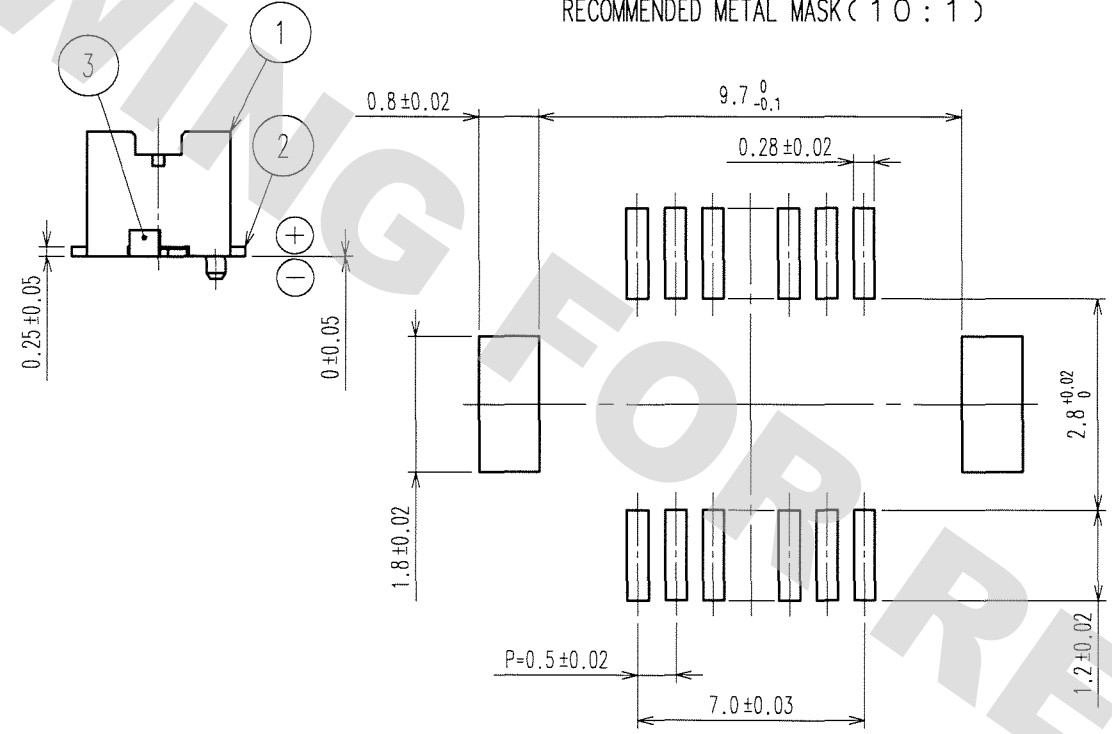
DRAWING FOR REFERENCE: This is subject to change without notice
08/11/2012

COUNT	DESCRIPTION OF REVISIONS	BY	CHKD	DATE	COUNT	DESCRIPTION OF REVISIONS	BY	CHKD	DATE
1	DIS-H-002453	Y.M	T.H	07.09.12					

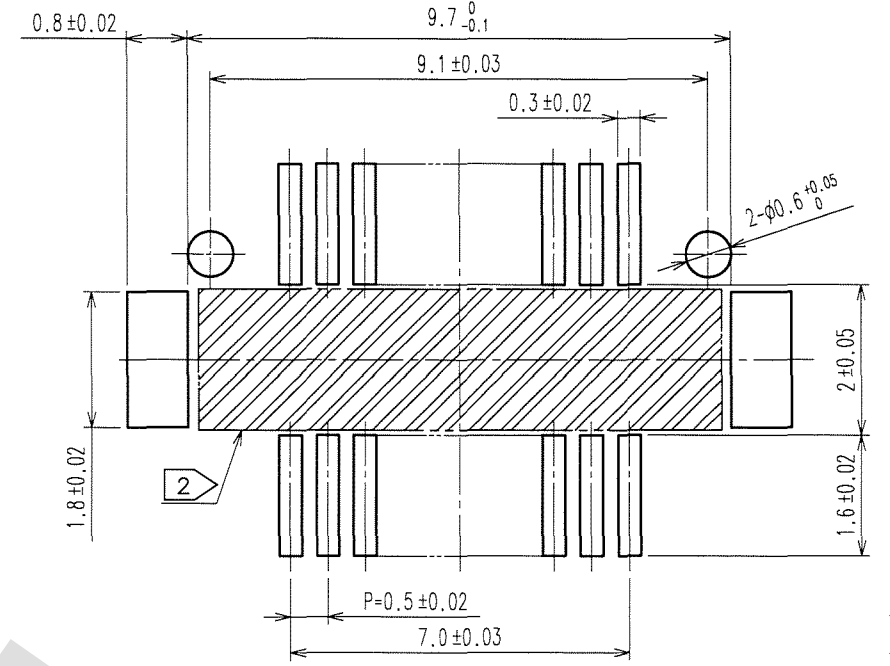
A-A(10:1)



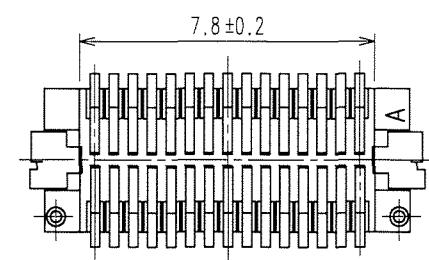
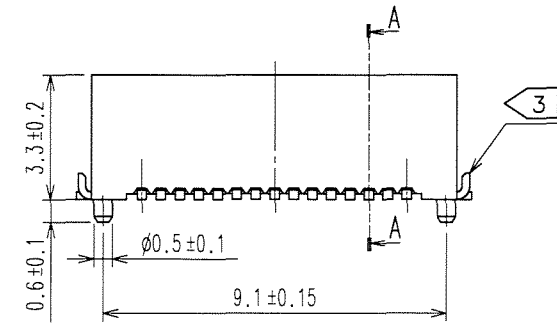
RECOMMENDED METAL MASK (10:1)



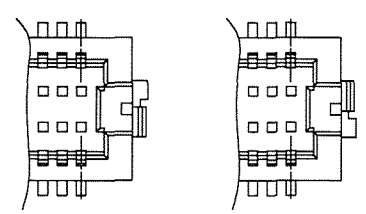
RECOMMENDED PATTERN (10:1)



RECOMMENDED THICKNESS OF SOLDER PASTE: 120 μm



- NOTES 1 : LEAD CO-PLANARITY INCLUDING REINFORCED METAL FITTINGS SHALL BE 0.08 mm MAX.
 2: IF THERE IS PATTERN ON PART, THERE IS A POSSIBILITY THAT IT WILL MAKE CONTACT WITH THE LEADS.
 3: REINFORCED METAL FITTINGS AS FOLLOWS.



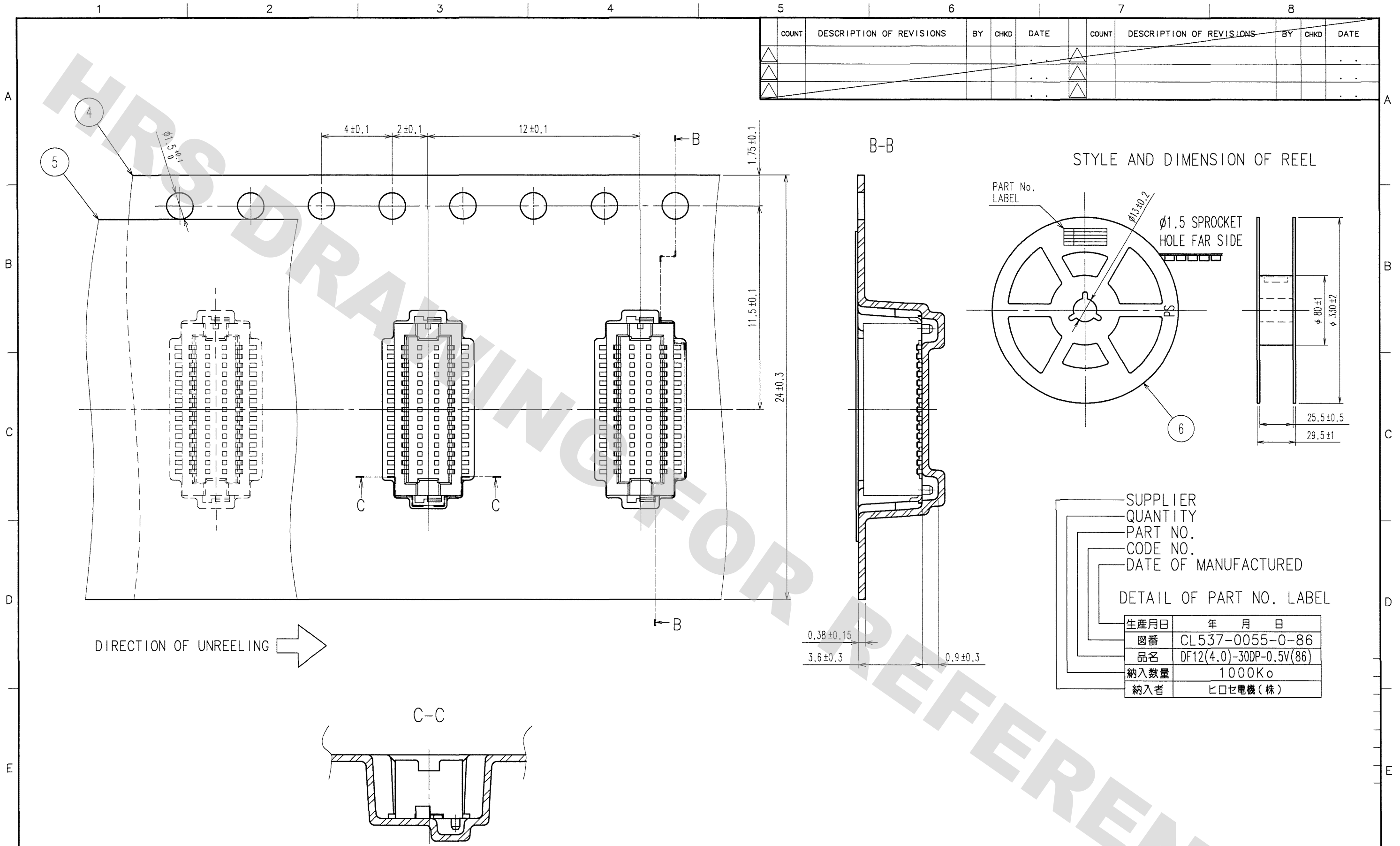
2	PHOSPHOR BRONZE	CONTACT AREA:GOLD PLATED 0.2μm min LEAD AREA:GOLD PLATED 0.015μm UNDER PLATING:NICKEL PLATED 2μm min	6	PS	PLASTIC REEL , BLACK
1	POLYAMIDE	BEIGE,UL94V-0	5	POLYESTER	CLEAR(COVER TAPE)
			4	A-PET	CLEAR(EMBOSSED CARRIER TAPE)
			3	BRASS	TIN PLATED 2μm min UNDER PLATING:NICKEL 1μm min

NO.	MATERIAL	FINISH, REMARKS	NO.	MATERIAL	FINISH, REMARKS

CODE NO. (OLD)	DRAWN	DESIGNED	CHECKED	APPROVED	RELEASED
	N.SATO 07.3.1	Y.MICHIDA 07.3.1	T.MIYAZAKI 07.3.1	K.IKEDA 07.3.1	
DRAWING NO.	PART NO.				
EDC3-160548-05	DF12(4.0)-30DP-0.5V(86)				
SCALE	CODE NO.				
5 : 1	CL537-0055-0-86				
UNITS	HRS HIROSE ELECTRIC CO., LTD				
mm					

TO

COUNT	DESCRIPTION OF REVISIONS	BY	CHKD	DATE	COUNT	DESCRIPTION OF REVISIONS	BY	CHKD	DATE
△					△				
△					△				
△					△				



DRAWING FOR REFERENCE: This is subject to change without notice
08/11/2012

TO

NOTES 4. 1 REEL:1000 CONNECTORS.
 5. AT THE BEGINNING OF THE REEL, 30 COMPONENTS SHALL BE EMPTY.
 AT THE END OF THE REEL, 20 COMPONENTS SHALL BE EMPTY.
 6. PEEL FORCE REFERS TO JIS C 0806.
 △7. THE REEL IS PACKED WITH A POLYETHYLENE MATERIAL, TOGETHER WITH A DRYING AGENT.

CODE NO. (OLD)	DRAWN	DESIGNED	CHECKED	APPROVED	RELEASED
	N.SATO	Y.MICHIDA	T.MIYAZAKI	K.IKEDA	
	07.3.1	07.3.1	07.3.1	07.3.1	
DRAWING NO.	PART NO.				
EDC3-160548-05	DF12(4.0)-30DP-0.5V(86)				
SCALE	CODE NO.				
5 : 1	CL537-0055-0-86				
UNITS	HIROSE ELECTRIC CO., LTD				
mm					

2/2

X-ON Electronics

Largest Supplier of Electrical and Electronic Components

Click to view similar products for [Board to Board & Mezzanine Connectors](#) category:

Click to view products by [Hirose](#) manufacturer:

Other Similar products are found below :

[589158040000018](#) [MDF7C-18P-2.54DSA\(55\)](#) [FCN-230C068-11](#) [FCN-268F012-G/BD](#) [FCN-268F036-G/BD](#) [FCN-268M012-G/0D](#) [FCN-268M024-G/1D](#) [FCN-723J004/1](#) [MIS-048-01-F-D-DP-K](#) [832-10-034-10-001000](#) [FX4C-80S-1.27DSA](#) [FCN-214Q030-G/0](#) [FCN-234P048-G/0](#) [FCN-235D050-G/C](#) [210-93-314-41-105000](#) [2-22603-0](#) [MDF7-40DP-2.54DSA\(55\)](#) [AXG720047](#) [MIT-114-03-F-D-K](#) [55323-1519](#) [DF33-2P-3.3DSA\(24\)](#) [YFT-20-05-H-03-SB-K](#) [503308-3040](#) [026-6203-PDB](#) [027-6203-PDB](#) [069159702701000](#) [10123981-102LF](#) [101A10019X](#) [55650-0588-C](#) [68682-310LF](#) [68684-306](#) [75140-7012](#) [87471-650](#) [YTW-30-07-H-Q-410-140](#) [FCN-268F024-G0D](#) [10124054-515LF](#) [68685-603](#) [8-1616154-3](#) [MIS-019-01-F-D](#) [FCN-268M024-G/3D](#) [FCN-268M036-G/BD](#) [20021832-06016C1LF](#) [KX15-20KLDL-E1000E](#) [AXE810124](#) [FCN-214J100-G/0](#) [FCN-230C068-E/S](#) [AXE812124](#) [AXE816124](#) [AXE720127](#) [354184](#)