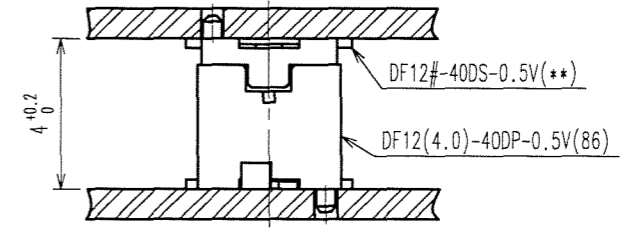
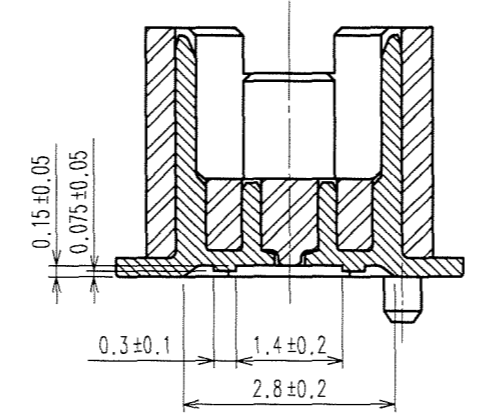
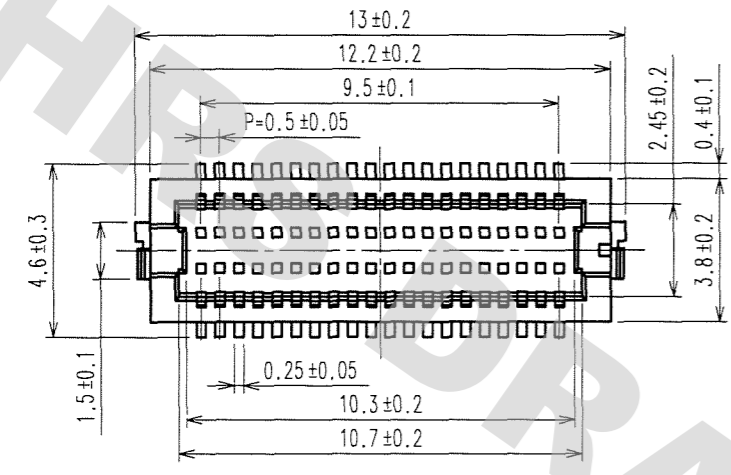


1 2 3 4 5 6 7 8

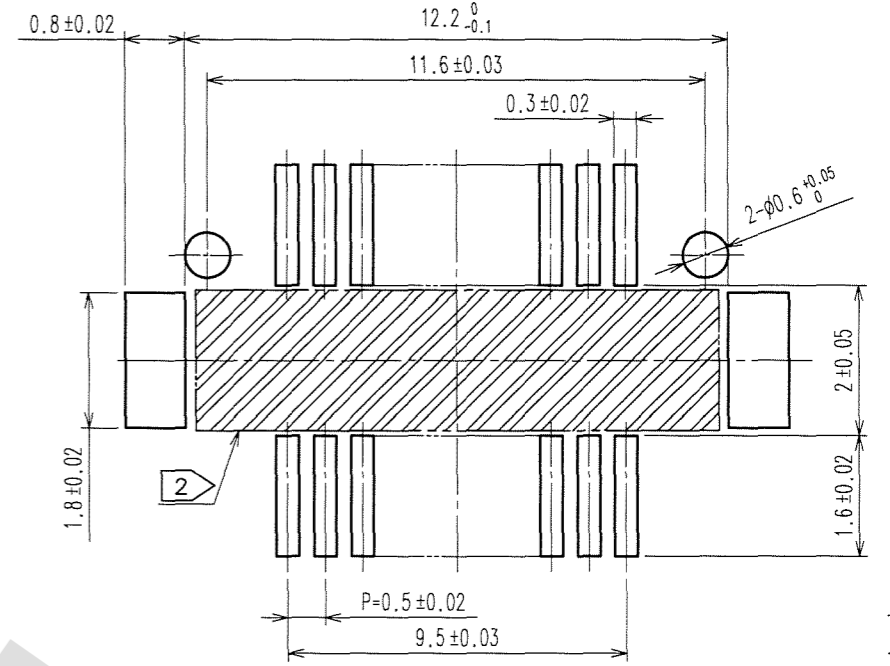
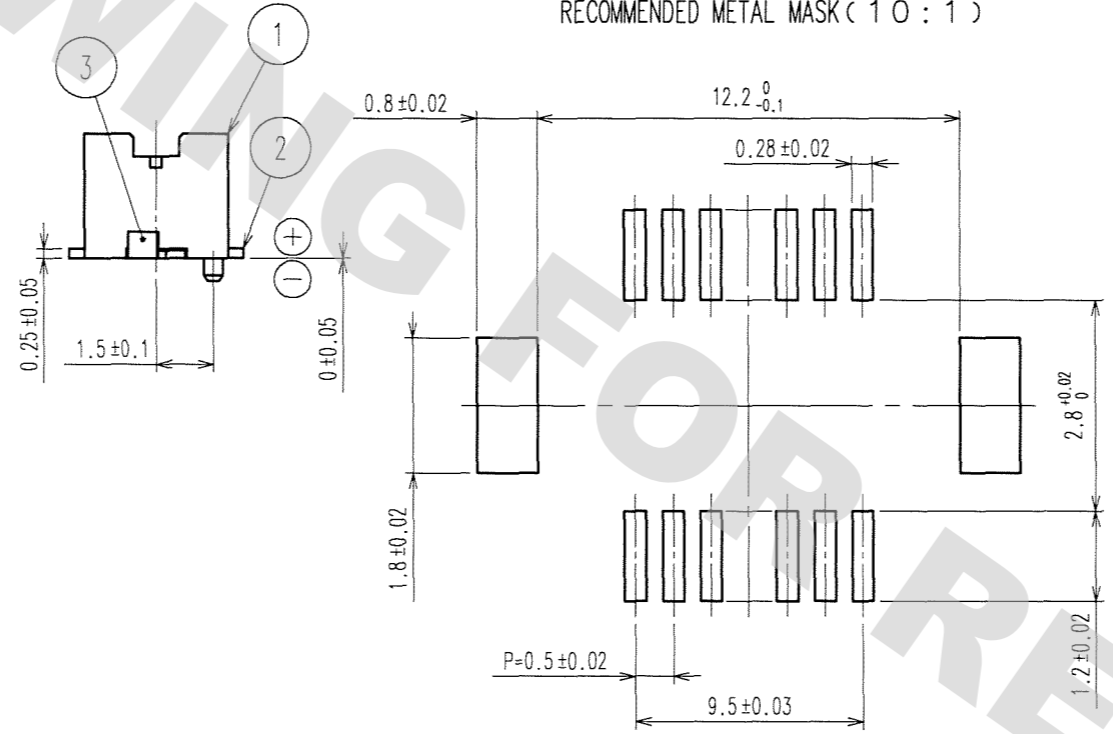
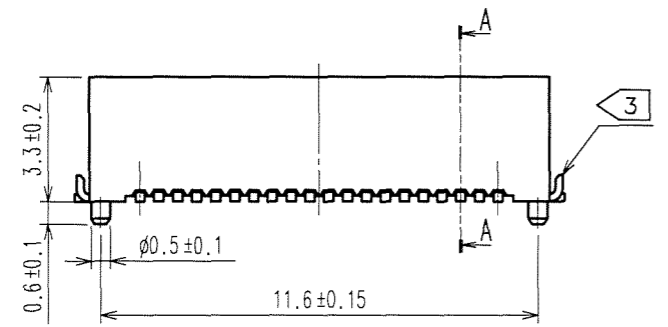
COUNT	DESCRIPTION OF REVISIONS	BY	CHKD	DATE	COUNT	DESCRIPTION OF REVISIONS	BY	CHKD	DATE
1	DIS-H-002453	Y.M	T.M	07.09.12					

A-A(10:1)

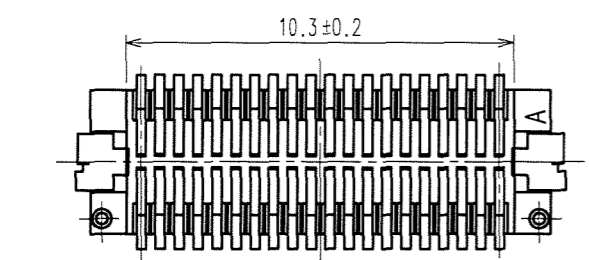


RECOMMENDED METAL MASK (10:1)

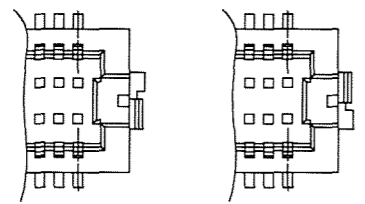
RECOMMENDED PATTERN (10:1)



RECOMMENDED THICKNESS OF SOLDER PASTE: 120 μm



- NOTES 1 : LEAD CO-PLANARITY INCLUDING REINFORCED METAL FITTINGS SHALL BE 0.08 mm MAX.
 2 : IF THERE IS PATTERN ON PART, THERE IS A POSSIBILITY THAT IT WILL MAKE CONTACT WITH THE LEADS.
 3 : REINFORCED METAL FITTINGS AS FOLLOWS.



2	PHOSPHOR BRONZE	CONTACT AREA: GOLD PLATED 0.2 μm min LEAD AREA: GOLD PLATED 0.015 μm UNDER PLATING: NICKEL PLATED 2 μm min	6	PS	PLASTIC REEL, BLACK
1	POLYAMIDE	BEIGE, UL94V-0	5	POLYESTER	CLEAR (COVER TAPE)
			4	A-PET	CLEAR (EMBOSSED CARRIER TAPE)
			3	BRASS	TIN PLATED 2 μm min UNDER PLATING: NICKEL 1 μm min

NO.	MATERIAL	FINISH, REMARKS	NO.	MATERIAL	FINISH, REMARKS

CODE NO. (OLD)	DRAWN	DESIGNED	CHECKED	APPROVED	RELEASED
	N. SATO	Y. MICHIDA	T. MIYAZAKI	M. NAKAMURA	
	07.3.22	07.3.22	07.3.22	07.3.22	

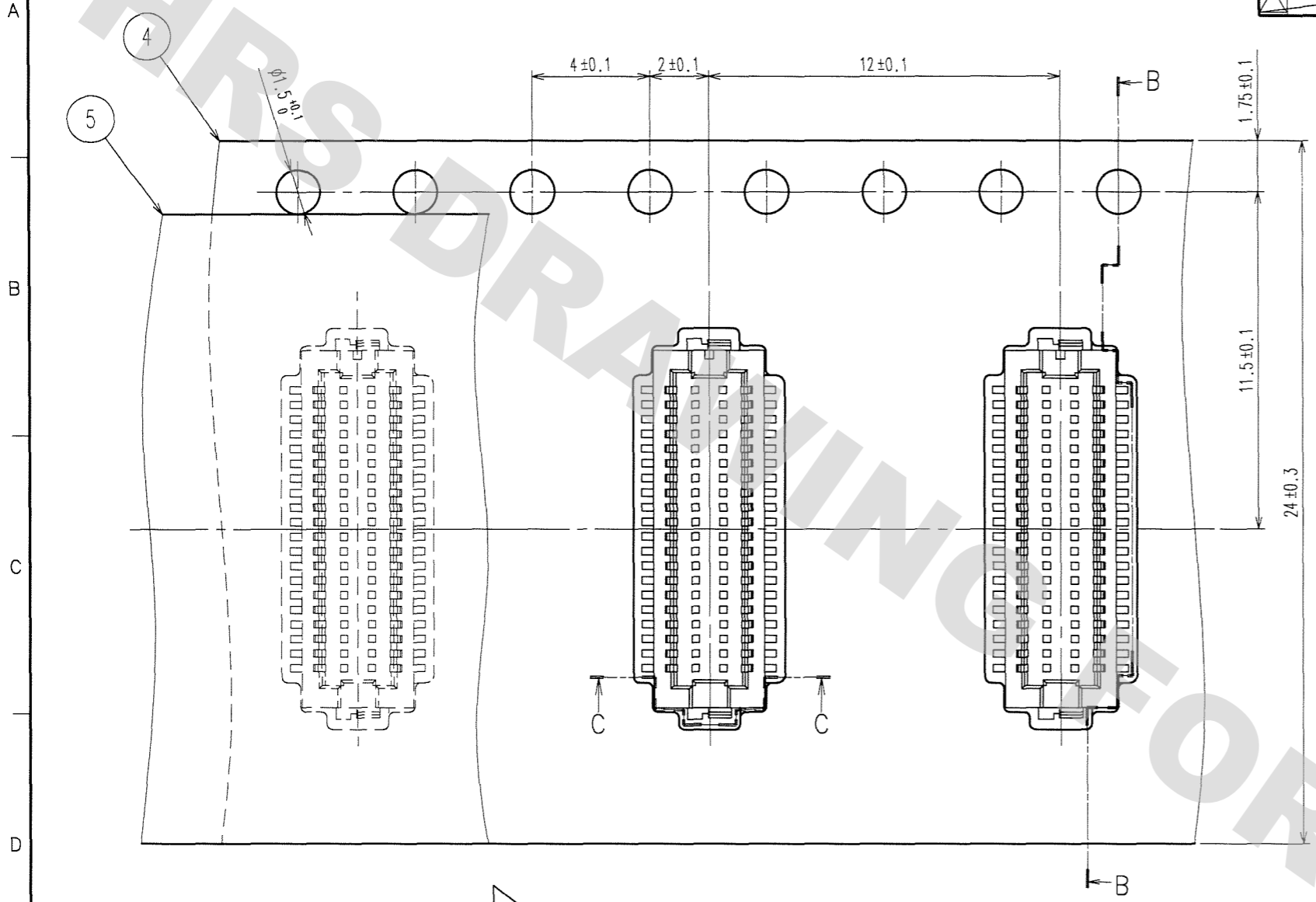
SCALE	DRAWING NO.	PART NO.
5 : 1	EDC3-160464-10	DF12(4.0)-40DP-0.5V(86)
UNITS	HIROSE ELECTRIC CO., LTD	CODE NO.
mm		CL537-0057-5-86

DRAWING FOR REFERENCE: This is subject to change without notice
08/11/2012

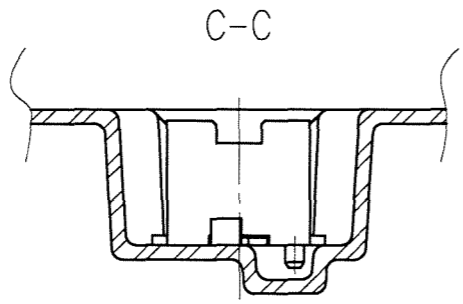
TO

DRAWING FOR REFERENCE: This is subject to change without notice
08/11/2012

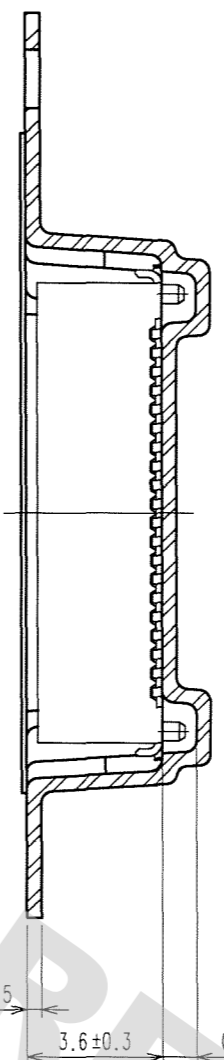
COUNT	DESCRIPTION OF REVISIONS	BY	CHKD	DATE	COUNT	DESCRIPTION OF REVISIONS	BY	CHKD	DATE



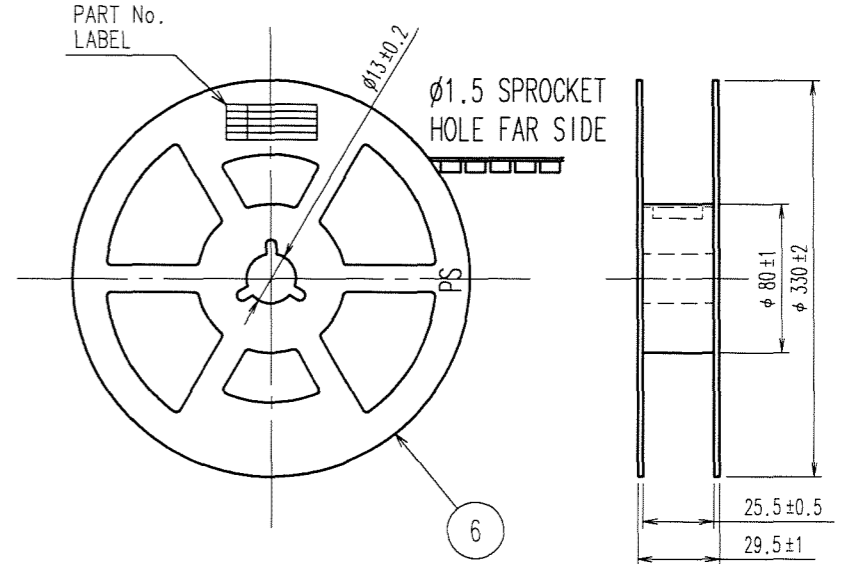
DIRECTION OF UNREELING →



B-B



STYLE AND DIMENSION OF REEL



SUPPLIER
QUANTITY
PART NO.
CODE NO.
DATE OF MANUFACTURED

DETAIL OF PART NO. LABEL

生産月日	年 月 日
図番	CL537-0057-5-86
品名	DF12(4.0)-40DP-0.5V(86)
納入数量	1000K _o
納入者	ヒロセ電機(株)

- NOTES
- 1 REEL:1000 CONNECTORS.
 - AT THE BEGINNING OF THE REEL, 30 COMPONENTS SHALL BE EMPTY.
AT THE END OF THE REEL, 20 COMPONENTS SHALL BE EMPTY.
 - PEEL FORCE REFERS TO JIS C 0806.
 - THE REEL IS PACKED WITH A POLYETHYLENE MATERIAL, TOGETHER WITH A DRYING AGENT.

TO

CODE NO. (OLD)	DRAWN N.Sato 07.03.22	DESIGNED Y.MICHIDA 07.03.22	CHECKED T.MIYAZAKI 07.03.22	APPROVED M.NAKAMURA 07.03.22	RELEASED
SCALE 5 : 1 UNITS mm	DRAWING NO. EDC3-160464-10		PART NO. DF12(4.0)-40DP-0.5V(86)		2/2
	HRS HIROSE ELECTRIC CO., LTD		CODE NO. CL537-0057-5-86		

X-ON Electronics

Largest Supplier of Electrical and Electronic Components

Click to view similar products for [Board to Board & Mezzanine Connectors](#) category:

Click to view products by [Hirose](#) manufacturer:

Other Similar products are found below :

[589158040000018](#) [MDF7C-18P-2.54DSA\(55\)](#) [FCN-230C068-11](#) [FCN-268F012-G/BD](#) [FCN-268F036-G/BD](#) [FCN-268M012-G/0D](#) [FCN-268M024-G/1D](#) [FCN-723J004/1](#) [MIS-048-01-F-D-DP-K](#) [832-10-034-10-001000](#) [FX4C-80S-1.27DSA](#) [FCN-214Q030-G/0](#) [FCN-234P048-G/0](#) [FCN-235D050-G/C](#) [210-93-314-41-105000](#) [2-22603-0](#) [MDF7-40DP-2.54DSA\(55\)](#) [AXG720047](#) [MIT-114-03-F-D-K](#) [55323-1519](#) [DF33-2P-3.3DSA\(24\)](#) [YFT-20-05-H-03-SB-K](#) [503308-3040](#) [026-6203-PDB](#) [027-6203-PDB](#) [069159702701000](#) [10123981-102LF](#) [101A10019X](#) [55650-0588-C](#) [68682-310LF](#) [68684-306](#) [75140-7012](#) [87471-650](#) [YTW-30-07-H-Q-410-140](#) [FCN-268F024-G0D](#) [10124054-515LF](#) [68685-603](#) [8-1616154-3](#) [MIS-019-01-F-D](#) [FCN-268M024-G/3D](#) [FCN-268M036-G/BD](#) [20021832-06016C1LF](#) [KX15-20KLDL-E1000E](#) [AXE810124](#) [FCN-214J100-G/0](#) [FCN-230C068-E/S](#) [AXE812124](#) [AXE816124](#) [AXE720127](#) [354184](#)