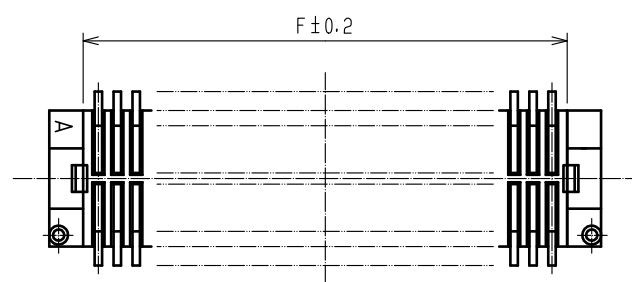
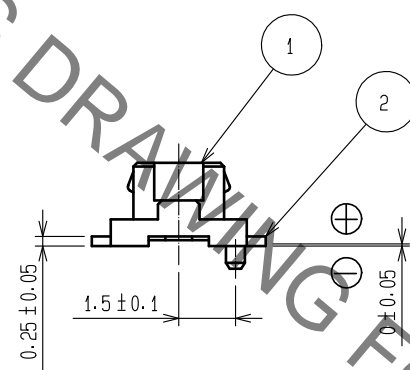
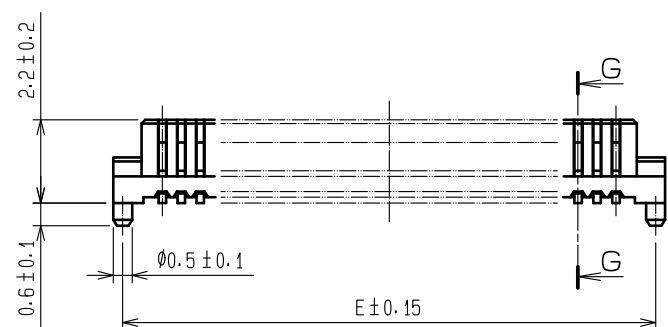
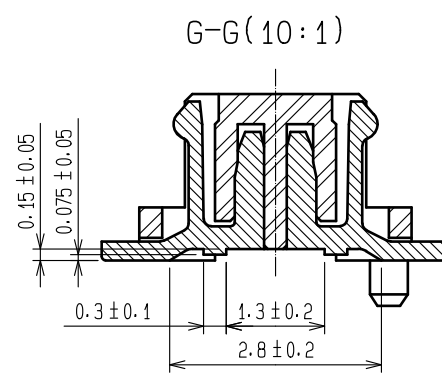
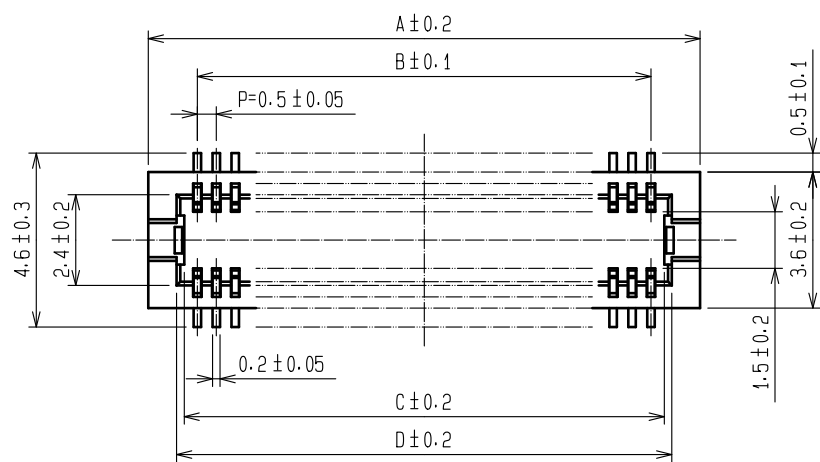
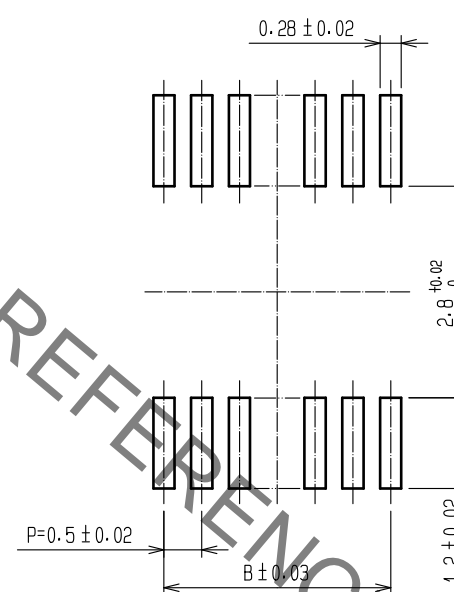


Aug.1.2020 Copyright 2020 HIROSE ELECTRIC CO., LTD. All Rights Reserved.
In case of consideration for using Automotive equipment / device which demand high reliability, kindly contact our sales window correspondents.

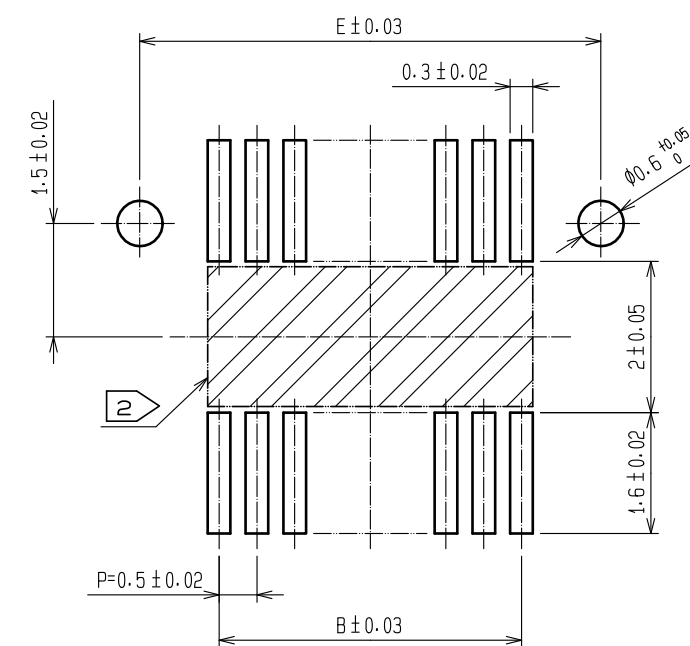


| CODE No. | CONTACT | A | B | C | D | E | F |
|-----------------|---------|------|------|------|------|------|------|
| CL537-0626-9-81 | 10 | 4.6 | 2.0 | 2.7 | 3.1 | 4.1 | 2.8 |
| CL537-0915-6-81 | 14 | 5.6 | 3.0 | 3.7 | 4.1 | 5.1 | 3.8 |
| CL537-0628-4-81 | 20 | 7.1 | 4.5 | 5.2 | 5.6 | 6.6 | 5.3 |
| CL537-0630-6-81 | 30 | 9.6 | 7.0 | 7.7 | 8.1 | 9.1 | 7.8 |
| CL537-0637-5-81 | 32 | 10.1 | 7.5 | 8.2 | 8.6 | 9.6 | 8.3 |
| CL537-0631-9-81 | 36 | 11.1 | 8.5 | 9.2 | 9.6 | 10.6 | 9.3 |
| CL537-0632-1-81 | 40 | 12.1 | 9.5 | 10.2 | 10.6 | 11.6 | 10.3 |
| CL537-0634-7-81 | 50 | 14.6 | 12.0 | 12.7 | 13.1 | 14.1 | 12.8 |
| CL537-0636-2-81 | 60 | 17.1 | 14.5 | 15.2 | 15.6 | 16.6 | 15.3 |
| CL537-0638-8-81 | 80 | 22.1 | 19.5 | 20.2 | 20.6 | 21.6 | 20.3 |

RECOMMENDED METAL MASK (10:1)



RECOMMENDED PATTERN (10:1)

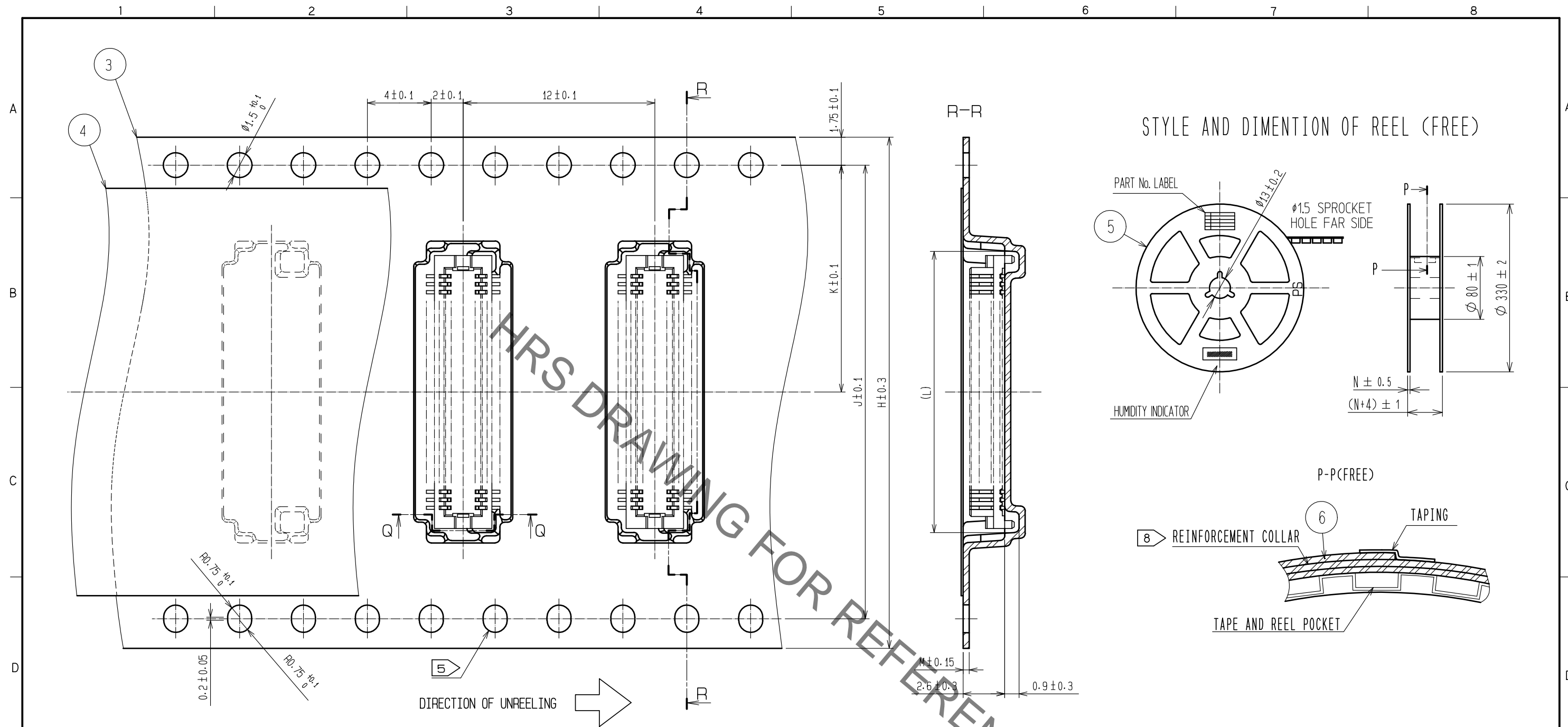


RECOMMENDED THICKNESS OF SOLDER PASTE : 120 #m

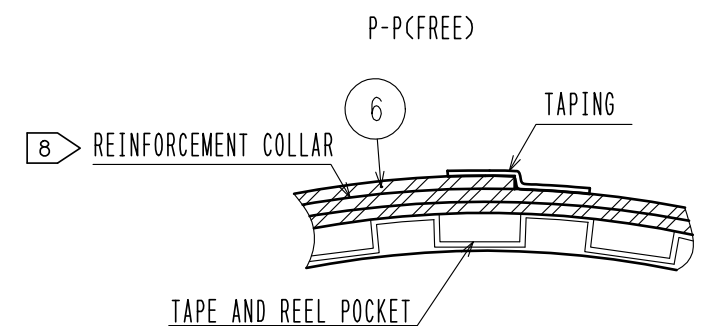
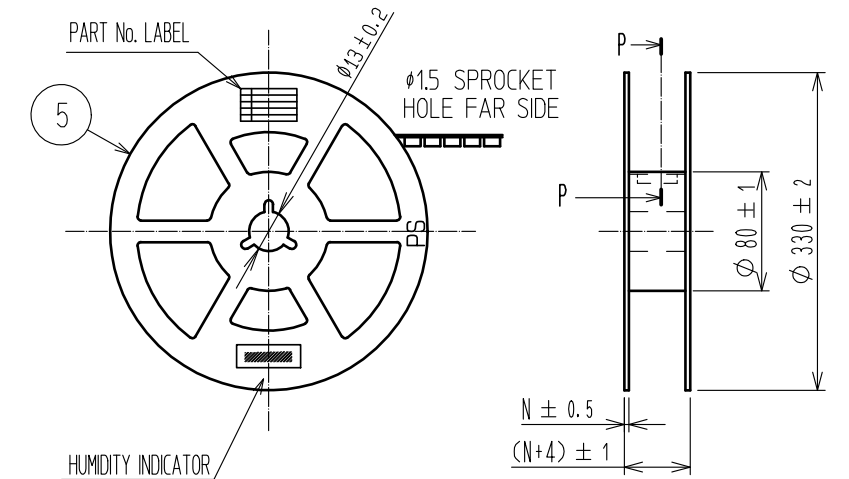
NOTES 1 : LEAD CO-PLANARITY SHALL BE 0.08 mm MAX.
2 IF THERE IS PATTERN ON PART, THERE IS A POSSIBILITY THAT IT WILL MAKE CONTACT WITH THE LEADS.

| 2 | PHOSPHOR BRONZE | CONTACT AREA:GOLD PLATED 0.2#m min | 6 | PS | CLEAR (REINFORCEMENT COLLAR) | | | |
|--------------------------------------|-----------------|---|----------|----------------------------------|-------------------------------|----------|---------|------|
| | | LEAD AREA:GOLD PLATED 0.015#m min | 5 | PS | BLACK (PLASTIC REEL) | | | |
| | | OTHERS(UNDER PLATING):NICKEL PLATED 2#m min | 4 | POLYESTER | CLEAR (COVER TAPE) | | | |
| 1 | POLYAMIDE | UL94V-0-NATURAL (BEIGE) | 3 | PS | CLEAR (EMBOSSED CARRIER TAPE) | | | |
| NO. | MATERIAL | FINISH . REMARKS | NO. | MATERIAL | FINISH . REMARKS | | | |
| UNITS mm | | SCALE 5 : 1 | | COUNT | DESCRIPTION OF REVISIONS | DESIGNED | CHECKED | DATE |
| HRS HIROSE ELECTRIC CO., LTD. | | APPROVED : WR. FUKUCHI | 20190409 | DRAWING NO. EDC-163505-81-78 | | | | |
| | | CHECKED : WR. FUKUCHI | 20190409 | PART NO. DF12A(3.0)-*DS-0.5V(81) | | | | |
| | | DESIGNED : KT. KUSAKA | 20190409 | CODE NO. CL537 | | | | |
| | | DRAWN : RN. IIDA | 20190409 | | | | | |

Aug.1.2020 Copyright 2020 HIROSE ELECTRIC CO., LTD. All Rights Reserved.
 In case of consideration for using Automotive equipment / device which demand high reliability, kindly contact our sales window correspondents.

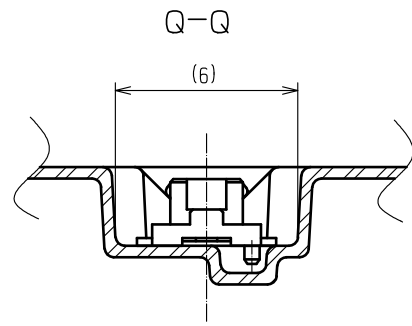


STYLE AND DIMENTION OF REEL (FREE)



- NOTES
- 3 1 REEL 1000 CONNECTORS.
 - 4 AT THE BEGINNING OF THE REEL, 30 COMPONENTS SHALL BE EMPTY.
 AT THE END OF THE REEL, 20 COMPONENTS SHALL BE EMPTY.
 - 5 WHEN THE TAPE WIDTH IS 32 mm OR 44 mm, SPROCKET HOLES SHALL BE SET ON BOTH SIDE OF REEL AS SHOWN ON THIS DRAWING.
 - 6 PEEL FORCE REFERS TO JIS C 0806. (IEC 60286-3)
 - 7 SPECIAL PACKING IS APPLIED FOR THIS PRODUCT, USING POLYAMIDE RESIN, TO IMPROVE MOISTURE RESISTANCE.
 AFTER OPENING AND WHEN RESTORING IS NEEDED, PLEASE PUT THE PRODUCT WITH DESICCANT IN A SEALED ALUMINIUM BAG.
 IN CASE THE COLOR OF THE INDICATOR(30%) TURNED TO PINK, DO BAKING THE PRODUCTS(50°C, 48HOURS).
 - 8 AFTER PACKING, ROLL 2 METERS OF THE REINFORCEMENT COLLAR TO OUTER CIRCUMFERENCE OF TAPE AND REEL POCKET, AND TAPE DOWN AT THE END THE COLLAR.

| CODE No. | CONTACT | H | J | K | L | M | N |
|-----------------|---------|----|------|------|------|------|------|
| CL537-0626-9-81 | 10 | 16 | - | 7.5 | 6.4 | 0.30 | 17.5 |
| CL537-0915-6-81 | 14 | 16 | - | 7.5 | 7.4 | 0.30 | 17.5 |
| CL537-0628-4-81 | 20 | 16 | - | 7.5 | 9 | 0.38 | 17.5 |
| CL537-0630-6-81 | 30 | 24 | - | 11.5 | 11.5 | 0.38 | 25.5 |
| CL537-0637-5-81 | 32 | 24 | - | 11.5 | 12 | 0.30 | 25.5 |
| CL537-0631-9-81 | 36 | 24 | - | 11.5 | 12.6 | 0.38 | 25.5 |
| CL537-0632-1-81 | 40 | 24 | - | 11.5 | 14 | 0.38 | 25.5 |
| CL537-0634-7-81 | 50 | 24 | - | 11.5 | 16.1 | 0.38 | 25.5 |
| CL537-0636-2-81 | 60 | 32 | 28.4 | 14.2 | 18.6 | 0.38 | 33.5 |
| CL537-0638-8-81 | 80 | 44 | 40.4 | 20.2 | 23.8 | 0.38 | 45.5 |



| | | |
|------------|-------------|-------------------------|
| HRS | DRAWING NO. | EDC-163505-81-78 |
| | PART NO. | DF12A(3.0)-*DS-0.5V(81) |
| | CODE NO. | CL537 |
| | | 2/2 |

X-ON Electronics

Largest Supplier of Electrical and Electronic Components

Click to view similar products for [Board to Board & Mezzanine Connectors](#) category:

Click to view products by [Hirose](#) manufacturer:

Other Similar products are found below :

[589158040000018](#) [MDF7C-18P-2.54DSA\(55\)](#) [FCN-230C068-11](#) [FCN-268F012-G/BD](#) [FCN-268F036-G/BD](#) [FCN-268M012-G/0D](#) [FCN-268M024-G/1D](#) [FCN-723J004/1](#) [MIS-048-01-F-D-DP-K](#) [832-10-034-10-001000](#) [FX4C-80S-1.27DSA](#) [FCN-214Q030-G/0](#) [FCN-234P048-G/0](#) [FCN-235D050-G/C](#) [210-93-314-41-105000](#) [2-22603-0](#) [MDF7-40DP-2.54DSA\(55\)](#) [AXG720047](#) [MIT-114-03-F-D-K](#) [55323-1519](#) [DF33-2P-3.3DSA\(24\)](#) [YFT-20-05-H-03-SB-K](#) [503308-3040](#) [026-6203-PDB](#) [027-6203-PDB](#) [069159702701000](#) [10123981-102LF](#) [101A10019X](#) [55650-0588-C](#) [68682-310LF](#) [68684-306](#) [75140-7012](#) [87471-650](#) [YTW-30-07-H-Q-410-140](#) [FCN-268F024-G0D](#) [10124054-515LF](#) [68685-603](#) [8-1616154-3](#) [MIS-019-01-F-D](#) [FCN-268M024-G/3D](#) [FCN-268M036-G/BD](#) [20021832-06016C1LF](#) [KX15-20KLDL-E1000E](#) [AXE810124](#) [FCN-214J100-G/0](#) [FCN-230C068-E/S](#) [AXE812124](#) [AXE816124](#) [AXE720127](#) [354184](#)