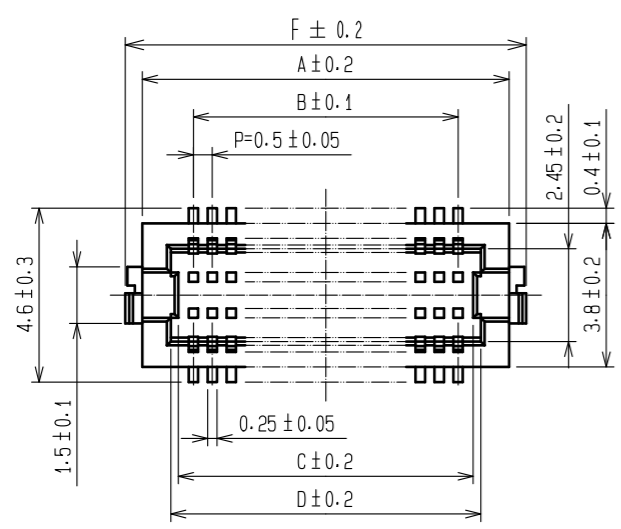
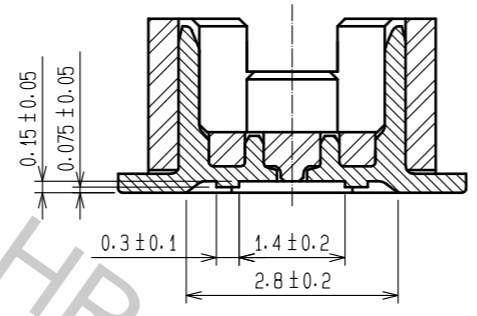


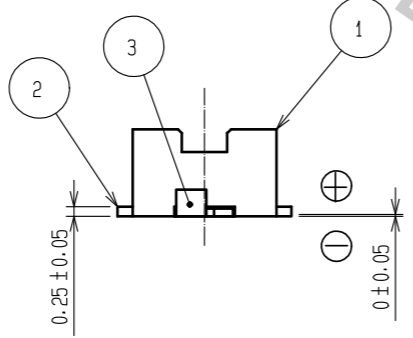
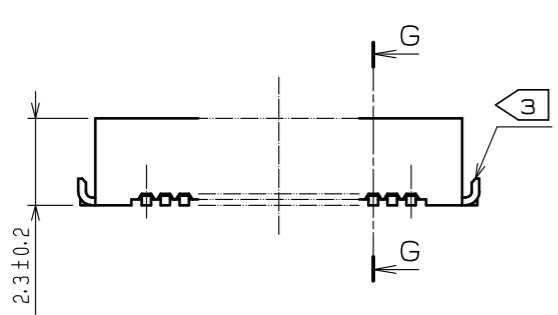
Feb.1.2018 Copyright 2018 HIROSE ELECTRIC CO., LTD. All Rights Reserved.



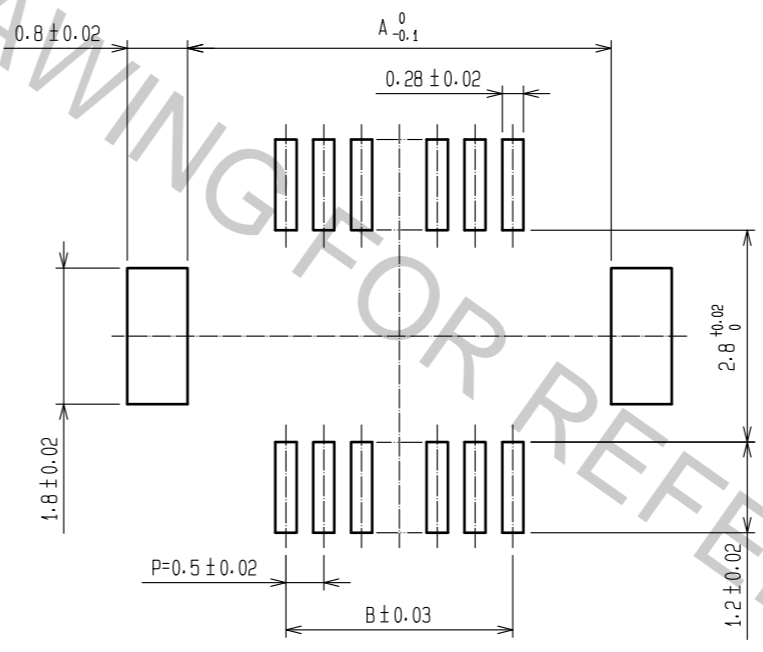
G-G (10:1)



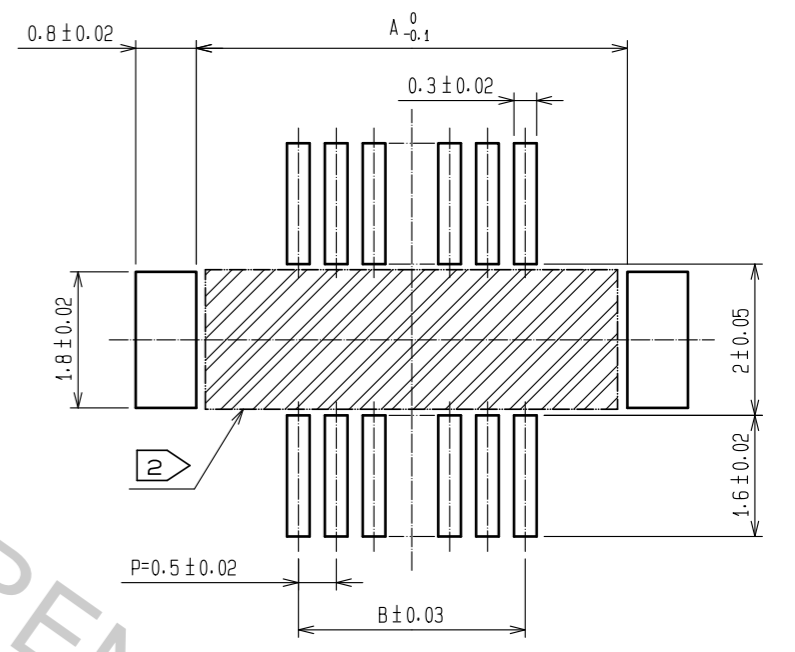
CODE NO.	CONTACT	A	B	C	D	E	F
CL537-0756-4-86	10	4.7	2.0	2.8	3.2	2.8	5.6
CL537-0919-7-86	14	5.7	3.0	3.8	4.2	3.8	6.6
CL537-0758-0-86	20	7.2	4.5	5.3	5.7	5.3	8.1
CL537-0760-1-86	30	9.7	7.0	7.8	8.2	7.8	10.6
CL537-0767-0-86	32	10.2	7.5	8.3	8.7	8.3	11.1
CL537-0761-4-86	36	11.2	8.5	9.3	9.7	9.3	12.1
CL537-0762-7-86	40	12.2	9.5	10.3	10.7	10.3	13.1
CL537-0764-2-86	50	14.7	12.0	12.8	13.2	12.8	15.6
CL537-0766-8-86	60	17.2	14.5	15.3	15.7	15.3	18.1
CL537-0768-3-86	80	22.2	19.5	20.3	20.7	20.3	23.1



RECOMMENDED METAL MASK PATTERN (10:1)

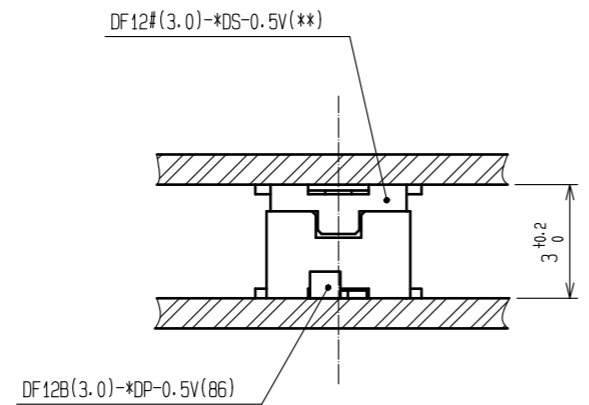
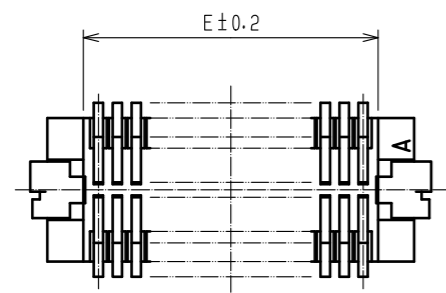


RECOMMENDED PATTERN (10:1)

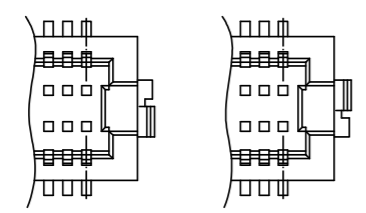


RECOMMENDED THICKNESS OF METAL MASK: 120µm

RECOMMENDED THICKNESS OF SOLDER PASTE: 120µm



- NOTES 1 LEAD CO-PLANARITY INCLUDING REINFORCED METAL FITTINGS SHALL BE 0.08 mm MAX.
 2 IF THERE IS PATTERN ON PART, THERE IS A POSSIBILITY THAT IT WILL MAKE CONTACT WITH THE LEADS.
 3 REINFORCED METAL FITTINGS AS FOLLOWS.



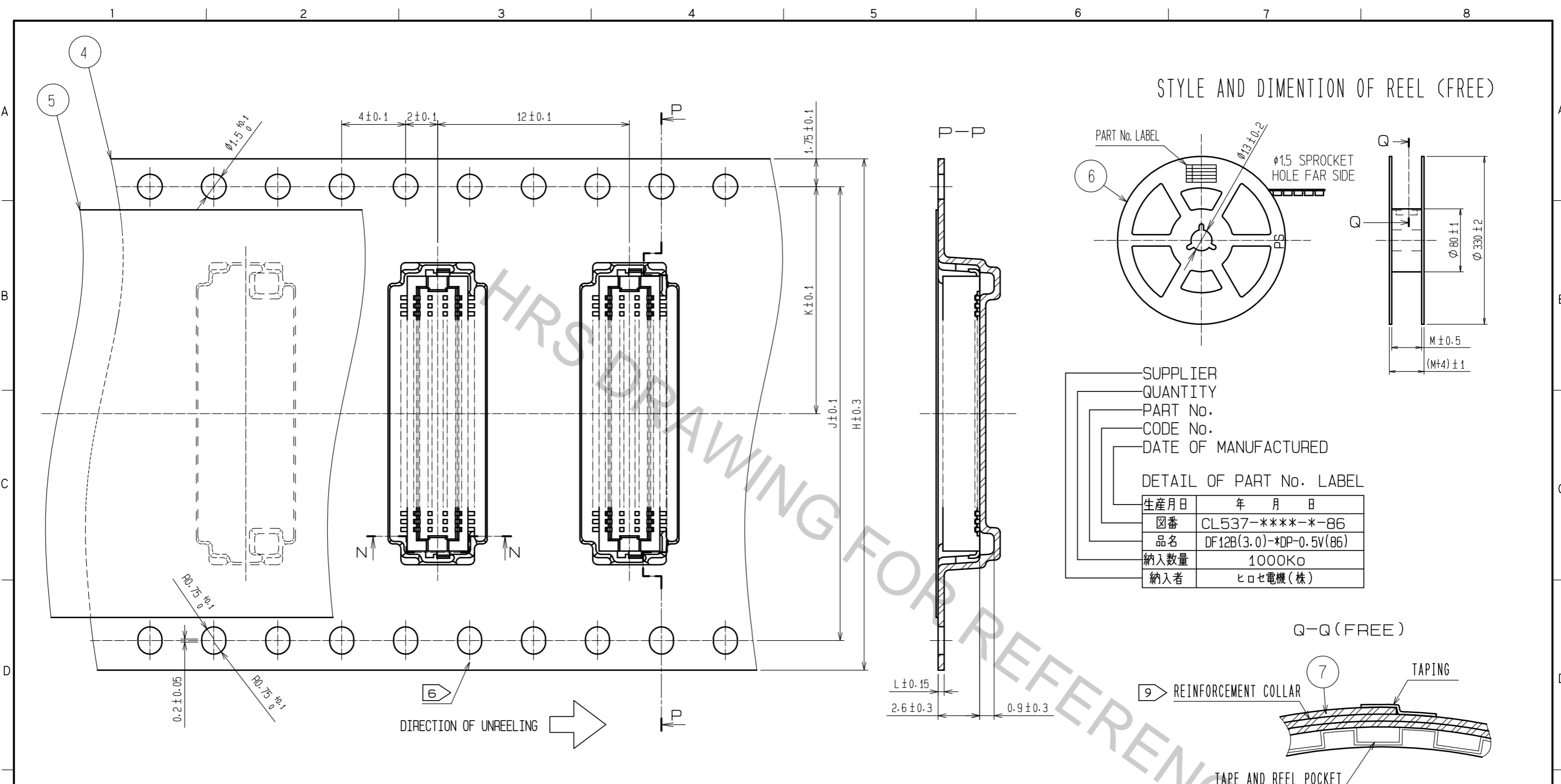
NO.	MATERIAL	FINISH	REMARKS	NO.	MATERIAL	FINISH	REMARKS
2	PHOSPHOR BRONZE		CONTACT AREA:GOLD PLATED 0.2µm min LEAD AREA:GOLD PLATED 0.015µm min OTHERS(UNDER PLATING):NICKEL 2µm min	7	PS		CLEAR(REINFORCEMENT COLLAR)
1	POLYAMIDE	BEIGE	UL94V-0	6	PS		BLACK(PLASTIC REEL)
				5	POLYESTER		CLEAR(COVER TAPE)
				4	PS		CLEAR(EMBOSSED CARRIER TAPE)
				3	BRASS		TIN PLATED 2µm min UNDER PLATING:NICKEL 1µm min

UNITS	SCALE	COUNT	DESCRIPTION OF REVISIONS	DESIGNED	CHECKED	DATE
mm	5 : 1	1	DIS-H-00001707	SH. HOSODA	TS. MIYAZAKI	16.06.10

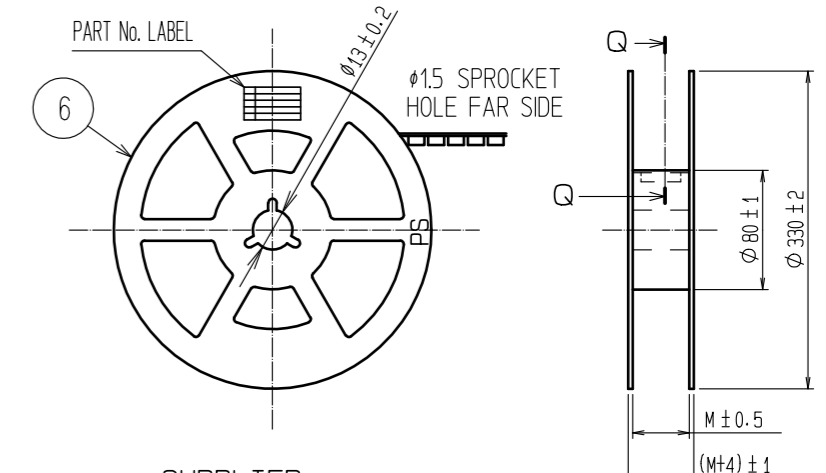
APPROVED	DATE	DRAWING NO.
KH. IKEDA	13.08.19	EDC3-160780-77
YH. MICHIDA	13.08.08	
YN. SAKAMOTO	13.08.08	
KR. AJITO	13.08.08	

PART NO.	CODE NO.
DF12B(3.0)-*DP-0.5V(86)	CL537

Feb.1.2018 Copyright 2018 HIROSE ELECTRIC CO., LTD. All Rights Reserved.



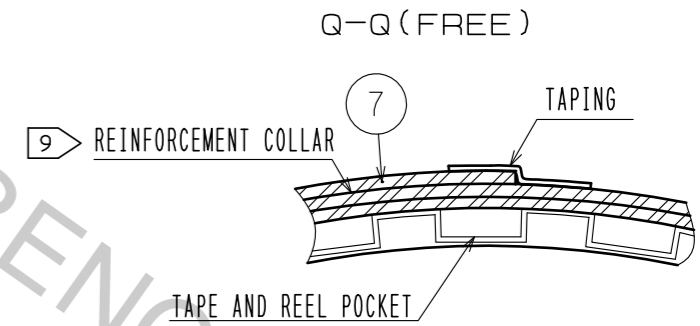
STYLE AND DIMENTION OF REEL (FREE)



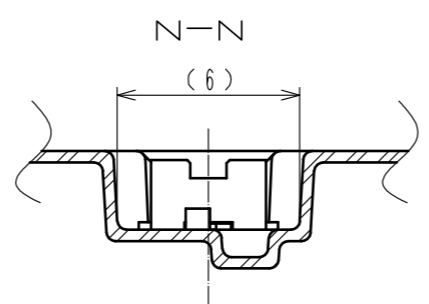
SUPPLIER
QUANTITY
PART No.
CODE No.
DATE OF MANUFACTURED

DETAIL OF PART No. LABEL

生産月日	年 月 日
図番	CL537-****-*86
品名	DF12B(3.0)-*DP-0.5V(86)
納入数量	1000コ
納入者	ヒロセ電機(株)



CODE No.	CONTACT	H	J	K	L	M
CL537-0756-4-86	10	16	-	7.5	0.30	17.5
CL537-0919-7-86	14	16	-	7.5	0.30	17.5
CL537-0758-0-86	20	16	-	7.5	0.38	17.5
CL537-0760-1-86	30	24	-	11.5	0.38	25.5
CL537-0767-0-86	32	24	-	11.5	0.30	25.5
CL537-0761-4-86	36	24	-	11.5	0.38	25.5
CL537-0762-7-86	40	24	-	11.5	0.38	25.5
CL537-0764-2-86	50	24	-	11.5	0.38	25.5
CL537-0766-8-86	60	32	28.4	14.2	0.38	33.5
CL537-0768-3-86	80	44	40.4	20.2	0.38	45.5



- NOTES
- 4 1 REEL 1000 CONNECTORS.
 - 5 AT THE BEGINNING OF THE REEL, 30 COMPONENTS SHALL BE EMPTY. AT THE END OF THE REEL, 20 COMPONENTS SHALL BE EMPTY.
 - 6 WHEN THE TAPE WIDTH IS 32 mm OR 44mm, SPROCKET HOLES SHALL BE SET ON BOTH SIDE OF REEL AS SHOWN ON THIS DRAWING.
 - 7 PEEL FORCE REFERS TO JIS C 0806. (IEC 60286-3)
 - 8 THE REEL IS PACKED WITH A POLYETHYLENE MATERIAL, TOGETHER WITH A DRYING AGENT.
 - 9 AFTER PACKING, ROLL 2 METERS OF THE REINFORCEMENT COLLAR TO OUTER CIRCUMFERENCE OF TAPE AND REEL POCKET, AND TAPE DOWN AT THE END THE COLLAR.

HRS	DRAWING NO.	EDC3-160780-77
	PART NO.	DF12B(3.0)-*DP-0.5V(86)
	CODE NO.	CL537
		2/2

X-ON Electronics

Largest Supplier of Electrical and Electronic Components

Click to view similar products for [Board to Board & Mezzanine Connectors](#) category:

Click to view products by [Hirose](#) manufacturer:

Other Similar products are found below :

[589158040000018](#) [MDF7C-18P-2.54DSA\(55\)](#) [FCN-230C068-11](#) [FCN-268F012-G/BD](#) [FCN-268F036-G/BD](#) [FCN-268M012-G/0D](#) [FCN-268M024-G/1D](#) [FCN-723J004/1](#) [MIS-048-01-F-D-DP-K](#) [832-10-034-10-001000](#) [FX4C-80S-1.27DSA](#) [FCN-214Q030-G/0](#) [FCN-234P048-G/0](#) [FCN-235D050-G/C](#) [210-93-314-41-105000](#) [2-22603-0](#) [MDF7-40DP-2.54DSA\(55\)](#) [AXG720047](#) [MIT-114-03-F-D-K](#) [55323-1519](#) [DF33-2P-3.3DSA\(24\)](#) [YFT-20-05-H-03-SB-K](#) [503308-3040](#) [026-6203-PDB](#) [027-6203-PDB](#) [069159702701000](#) [10123981-102LF](#) [101A10019X](#) [55650-0588-C](#) [68682-310LF](#) [68684-306](#) [75140-7012](#) [87471-650](#) [YTW-30-07-H-Q-410-140](#) [FCN-268F024-G0D](#) [10124054-515LF](#) [68685-603](#) [8-1616154-3](#) [MIS-019-01-F-D](#) [FCN-268M024-G/3D](#) [FCN-268M036-G/BD](#) [20021832-06016C1LF](#) [KX15-20KLDL-E1000E](#) [AXE810124](#) [FCN-214J100-G/0](#) [FCN-230C068-E/S](#) [AXE812124](#) [AXE816124](#) [AXE720127](#) [354184](#)