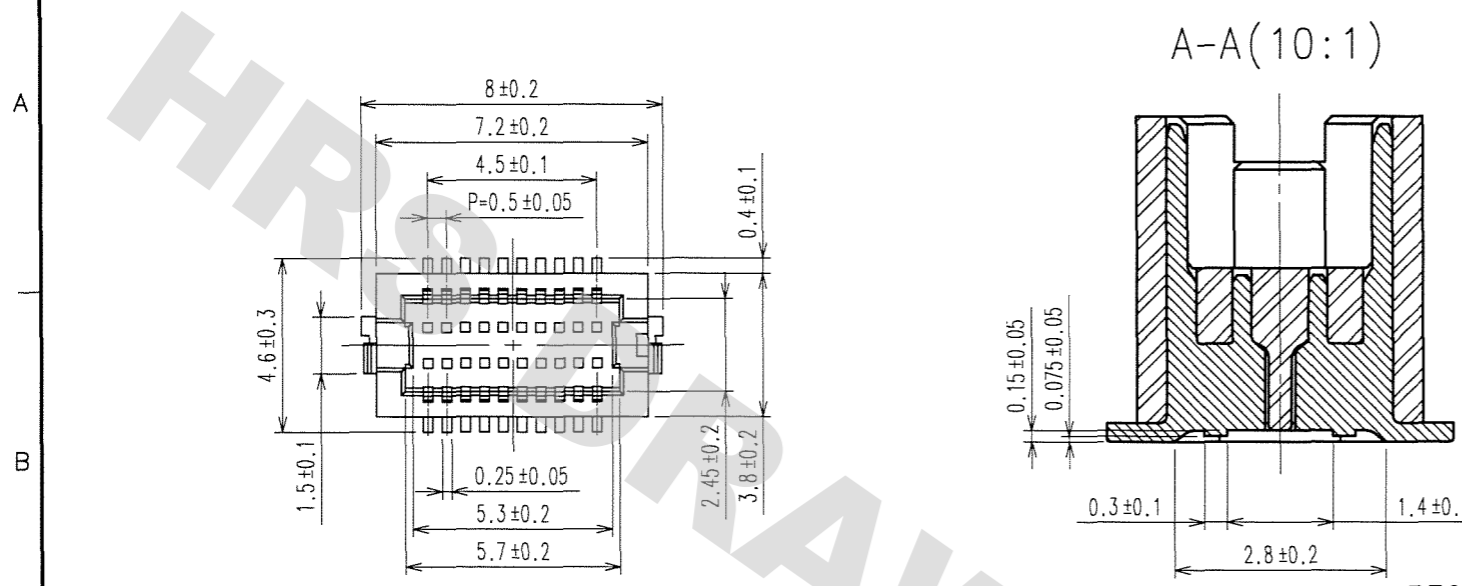
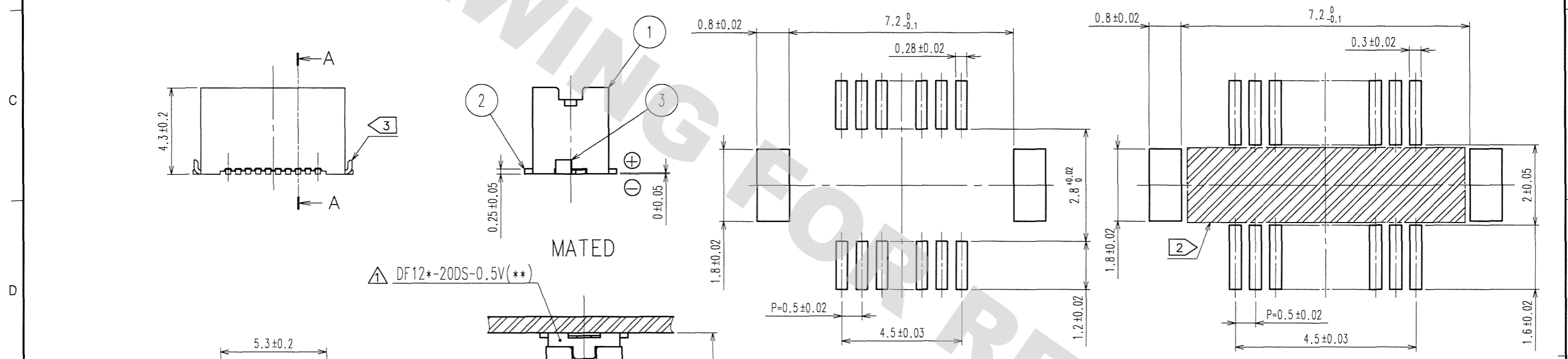


COUNT	DESCRIPTION OF REVISIONS	BY	CHKD	DATE	COUNT	DESCRIPTION OF REVISIONS	BY	CHKD	DATE
2	DIS-H-002492	Y.M	T.M	07.09.28					



RECOMMEND METAL MASK PATTERN (10:1)

RECOMMENDED PATTERN(10:1)



RECOMMENDED THICKNESS OF SOLDER PASTE: 120μm

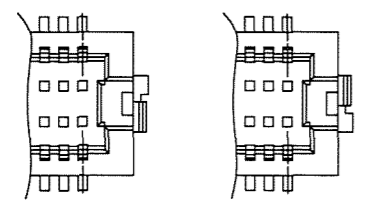
DF12*-20DS-0.5V(**)

DF12B(5.0)-20DP-0.5V(86)

NOTES 1 : LEAD CO-PLANARITY INCLUDING REINFORCED METAL FITTINGS SHALL BE 0.08 mm MAX.

2: IF THERE IS PATTERN ON PART, THERE IS A POSSIBILITY THAT IT WILL MAKE CONTACT WITH THE LEADS.

3: REINFORCED METAL FITTINGS AS FOLLOWS.



2	PHOSPHOR BRONZE	CONTACT AREA:GOLD PLATED 0.2μm min LEAD AREA:GOLD PLATED 0.015μm OTHERS(UNDER PLATING):NICKEL PLATED 2μm min	6	PS	PLASTIC REEL , BLACK
1	POLYAMIDE	UL94V-0,NATURAL (BEIGE)	5	POLYESTER	CLEAR(COVER TAPE)
			4	A-PET	CLEAR(EMBOSSD CARRIER TAPE)
			3	BRASS	TIN PLATED 2μm min (UNDER PLATING):NICKEL 1μm min
NO.	MATERIAL	FINISH, REMARKS	NO.	MATERIAL	FINISH, REMARKS

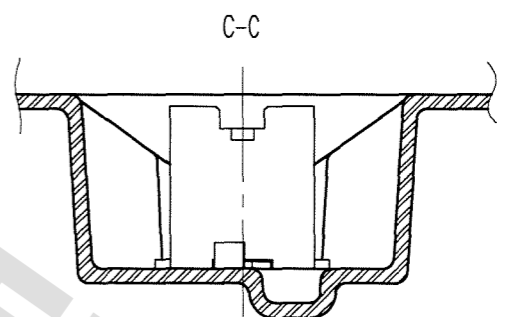
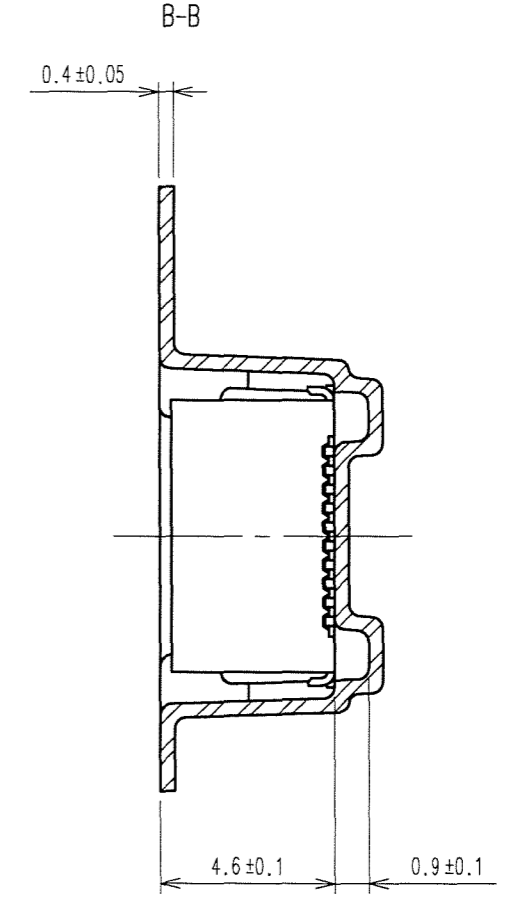
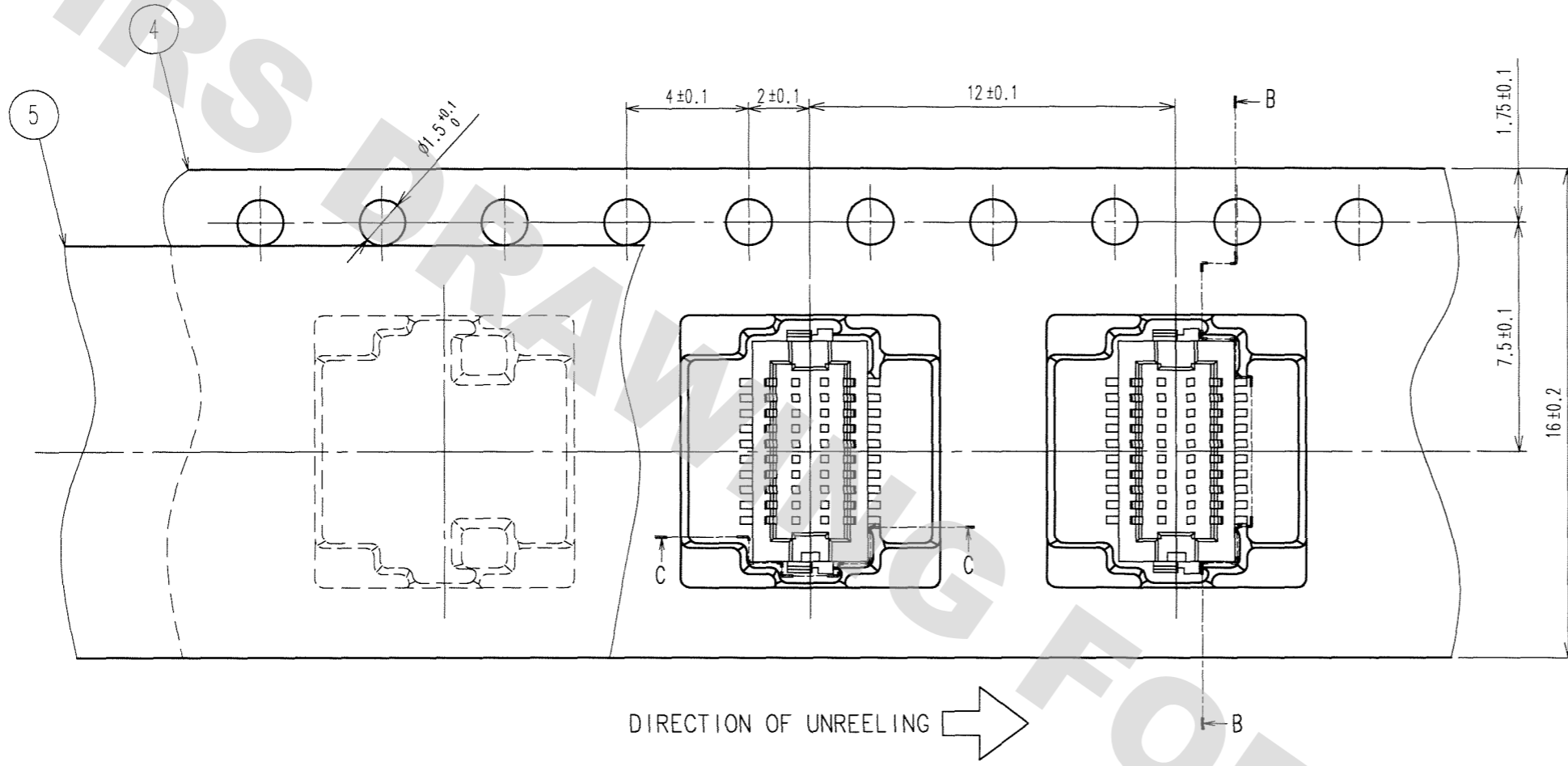
CODE NO. (OLD)	DRAWN	DESIGNED	CHECKED	APPROVED	RELEASED
	Y.MICHIDA 05.7.11	Y.MICHIDA 05.7.11	T.MIYAZAKI 05.7.11	M.NAKAMURA 05.7.12	

SCALE 5 : 1	DRAWING NO. EDC3-160539-05	PART NO. DF12B(5.0)-20DP-0.5V(86)
UNITS mm	HRS HIROSE ELECTRIC CO., LTD	CODE NO. CL537-0378-9-86

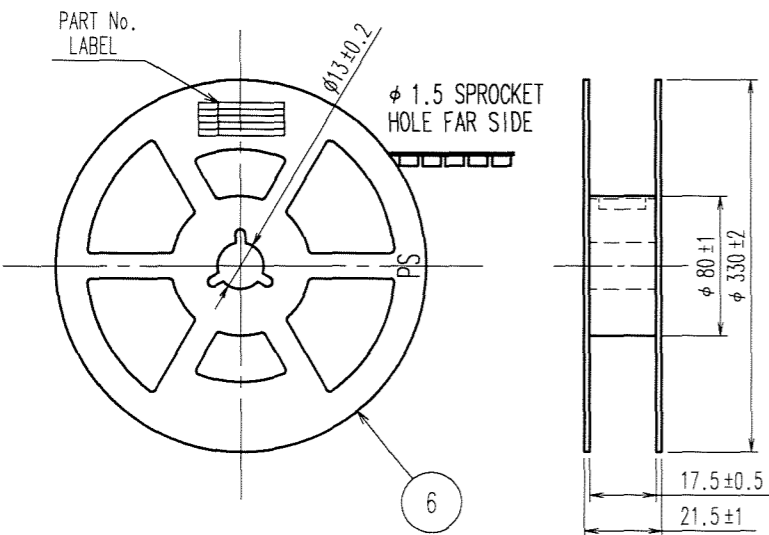
DRAWING FOR REFERENCE: This is subject to change without notice
08/11/2012

TO

COUNT	DESCRIPTION OF REVISIONS	BY	CHKD	DATE	COUNT	DESCRIPTION OF REVISIONS	BY	CHKD	DATE
△					△				
△					△				
△					△				



STYLE AND DIMENSION OF REEL



DETAIL OF PART NO. LABEL

SUPPLIER
 QUANTITY
 PART NO.
 CODE NO.
 DATE OF MANUFACTURED

生産月日	年月日
図番	CL537-0378-9-86
品名	DF12B(5.0)-20DP-0.5V(86)
納入数量	1000K ϕ
納入者	ヒロセ電機(株)

- NOTES 4. 1 REEL:1000 CONNECTORS.
 5. AT THE BEGINNING OF THE REEL, 30 COMPONENTS SHALL BE EMPTY.
 AT THE END OF THE REEL, 20 COMPONENTS SHALL BE EMPTY.
 6. PEEL FORCE REFERS TO JIS C 0806.
 △7. THE REEL IS PACKED WITH A POLYETHYLENE MATERIAL, TOGETHER WITH A DRYING AGENT.

CODE NO. (OLD)	DRAWN	DESIGNED	CHECKED	APPROVED	RELEASED
	Y.MICHIDA	Y.MICHIDA	T.MIYAZAKI	M.NAKAMURA	
	05.7.11	05.7.11	05.7.11	05.7.12	
DRAWING NO.	PART NO.				
EDC3-160539-05	DF12B(5.0)-20DP-0.5V(86)				
SCALE	CODE NO.				
5 : 1	CL537-0378-9-86				
UNITS	2/2				
mm	HRS HIROSE ELECTRIC CO., LTD				

DRAWING FOR REFERENCE: This is subject to change without notice
 08/11/2012

TO

X-ON Electronics

Largest Supplier of Electrical and Electronic Components

Click to view similar products for [Board to Board & Mezzanine Connectors](#) category:

Click to view products by [Hirose](#) manufacturer:

Other Similar products are found below :

[589158040000018](#) [MDF7C-18P-2.54DSA\(55\)](#) [FCN-230C068-11](#) [FCN-268F012-G/BD](#) [FCN-268F036-G/BD](#) [FCN-268M012-G/0D](#) [FCN-268M024-G/1D](#) [FCN-723J004/1](#) [MIS-048-01-F-D-DP-K](#) [832-10-034-10-001000](#) [FX4C-80S-1.27DSA](#) [FCN-214Q030-G/0](#) [FCN-234P048-G/0](#) [FCN-235D050-G/C](#) [210-93-314-41-105000](#) [2-22603-0](#) [MDF7-40DP-2.54DSA\(55\)](#) [AXG720047](#) [MIT-114-03-F-D-K](#) [55323-1519](#) [DF33-2P-3.3DSA\(24\)](#) [YFT-20-05-H-03-SB-K](#) [503308-3040](#) [026-6203-PDB](#) [027-6203-PDB](#) [069159702701000](#) [10123981-102LF](#) [101A10019X](#) [55650-0588-C](#) [68682-310LF](#) [68684-306](#) [75140-7012](#) [87471-650](#) [YTW-30-07-H-Q-410-140](#) [FCN-268F024-G0D](#) [10124054-515LF](#) [68685-603](#) [8-1616154-3](#) [MIS-019-01-F-D](#) [FCN-268M024-G/3D](#) [FCN-268M036-G/BD](#) [20021832-06016C1LF](#) [KX15-20KLDL-E1000E](#) [AXE810124](#) [FCN-214J100-G/0](#) [FCN-230C068-E/S](#) [AXE812124](#) [AXE816124](#) [AXE720127](#) [354184](#)