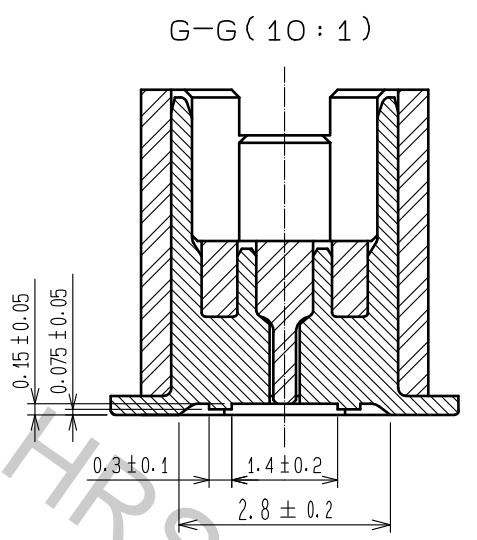
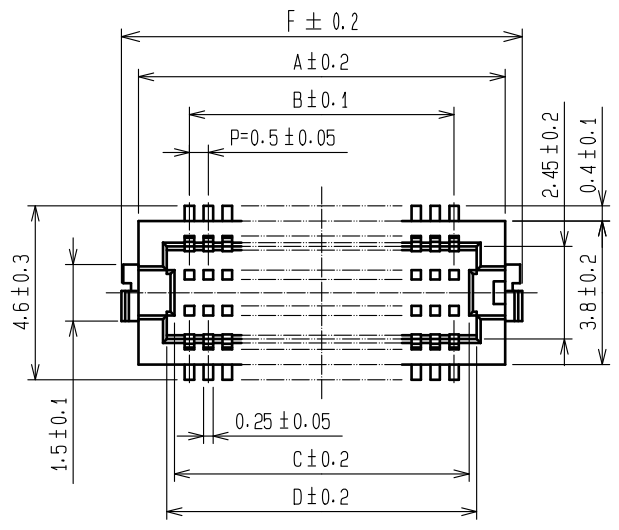
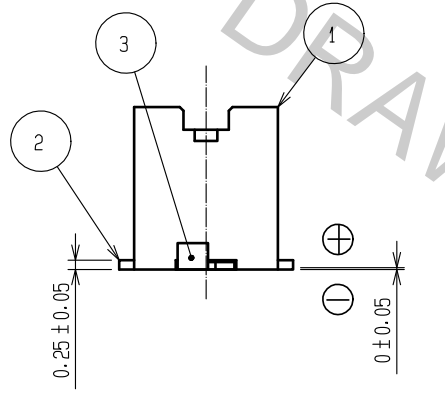
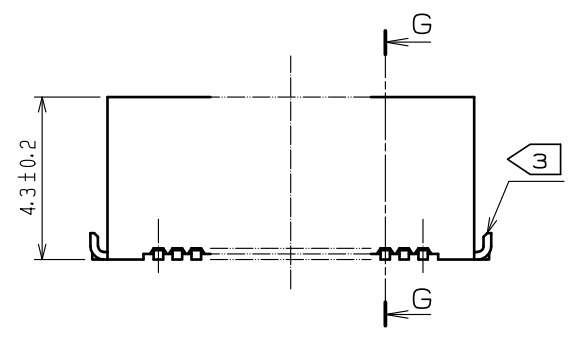


Feb.1.2018 Copyright 2018 HIROSE ELECTRIC CO., LTD. All Rights Reserved.

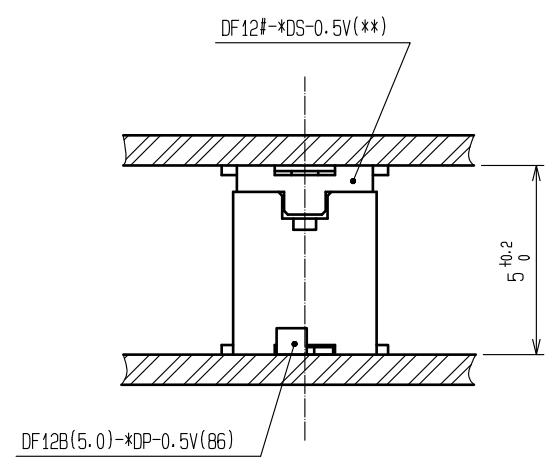
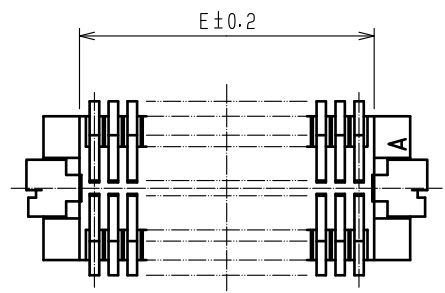
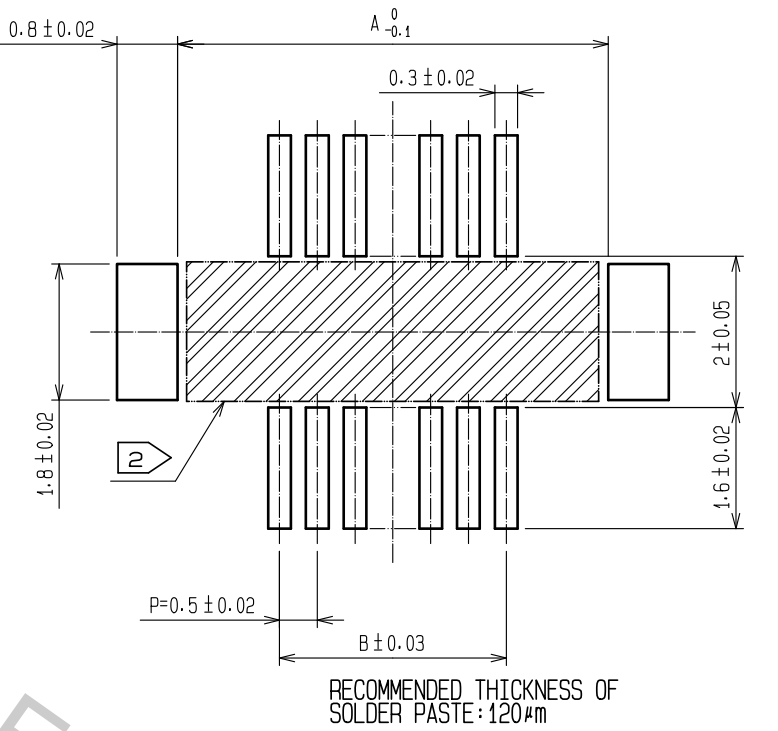
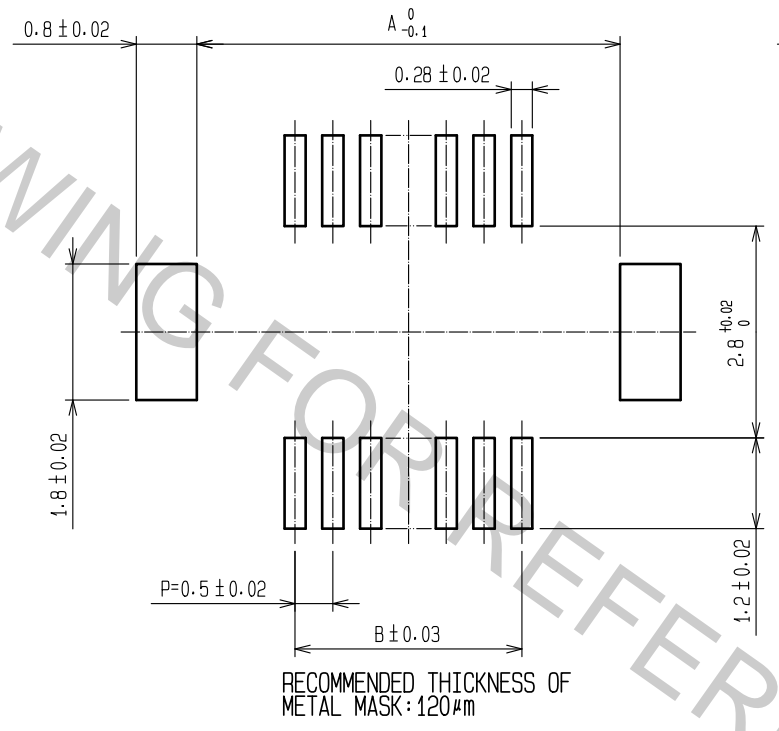


CODE NO.	CONTACT	A	B	C	D	E	F
CL537-0378-9-86	20	7.2	4.5	5.3	5.7	5.3	8.1
CL537-0380-0-86	30	9.7	7.0	7.8	8.2	7.8	10.6
CL537-0381-3-86	36	11.2	8.5	9.3	9.7	9.3	12.1
CL537-0382-6-86	40	12.2	9.5	10.3	10.7	10.3	13.1
CL537-0384-1-86	50	14.7	12.0	12.8	13.2	12.8	15.6
CL537-0386-7-86	60	17.2	14.5	15.3	15.7	15.3	18.1

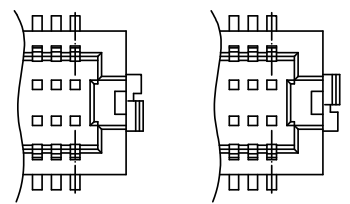


RECOMMENDED METAL MASK PATTERN (10:1)

RECOMMENDED PATTERN (10:1)



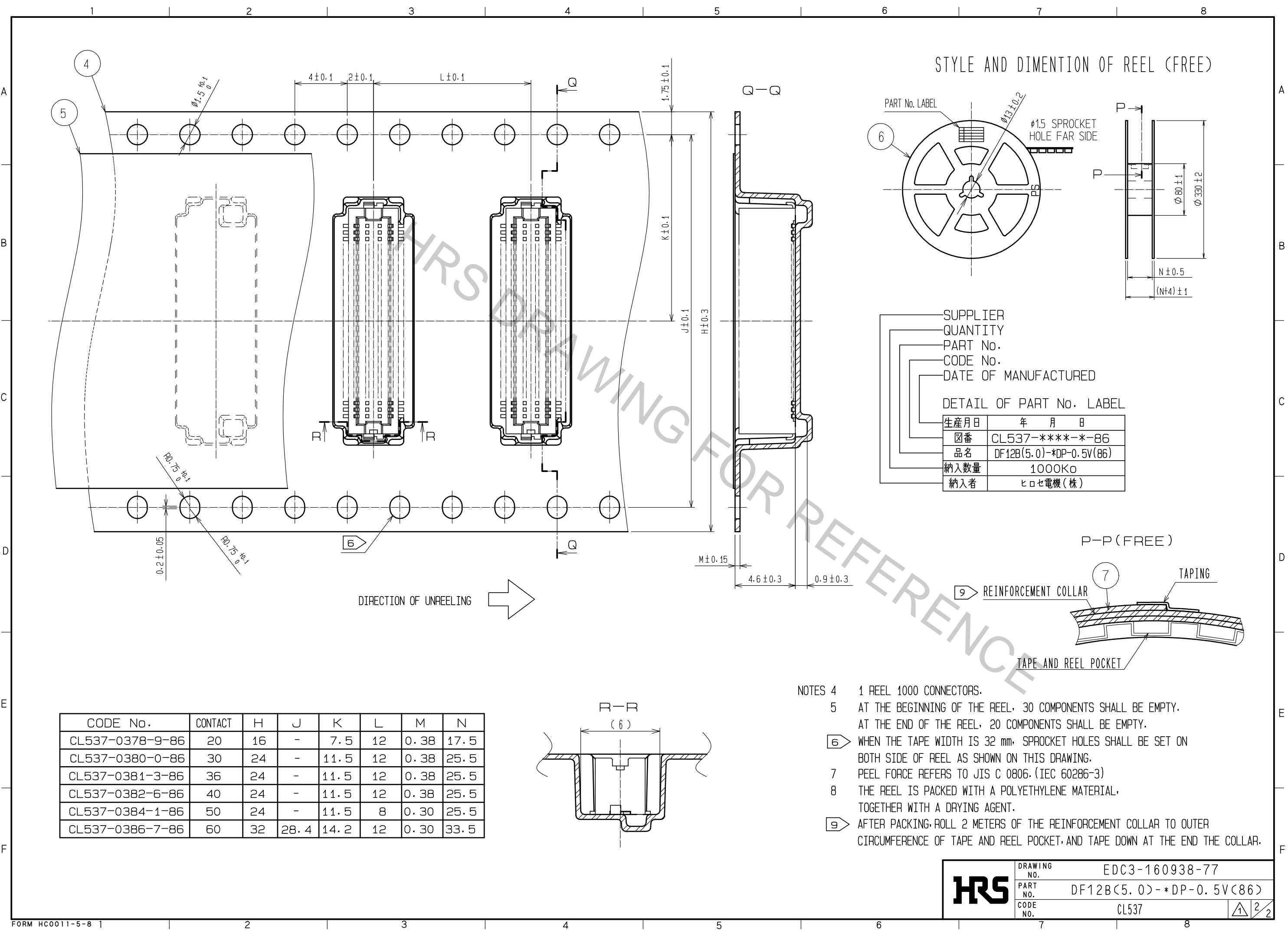
- NOTES 1 LEAD CO-PLANARITY INCLUDING REINFORCED METAL FITTINGS SHALL BE 0.08 mm MAX.
 2 IF THERE IS PATTERN ON PART, THERE IS A POSSIBILITY THAT IT WILL MAKE CONTACT WITH THE LEADS.
 3 REINFORCED METAL FITTINGS AS FOLLOWS.



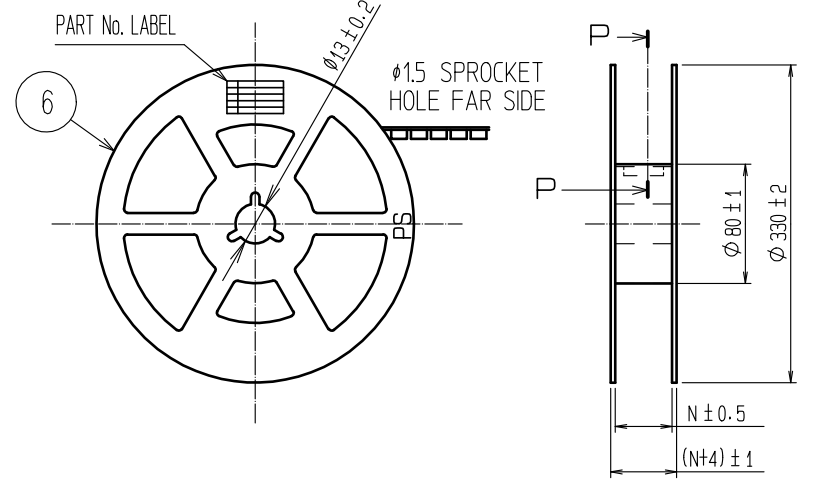
NO.	MATERIAL	FINISH . REMARKS	NO.	MATERIAL	FINISH . REMARKS
2	PHOSPHOR BRONZE	CONTACT AREA:GOLD PLATED 0.2μm min LEAD AREA:GOLD PLATED 0.015μm min OTHERS(UNDER PLATING):NICKEL 2μm min	7	PS	CLEAR(REINFORCEMENT COLLAR)
1	POLYAMIDE	BEIGE, UL94V-0	6	PS	BLACK(PLASTIC REEL)
			5	POLYESTER	CLEAR(COVER TAPE)
			4	PS	CLEAR(EMBOSSED CARRIER TAPE)
			3	BRASS	TIN PLATED 2μm min UNDER PLATING:NICKEL 1μm min

UNITS	SCALE	COUNT	DESCRIPTION OF REVISIONS	DESIGNED	CHECKED	DATE
mm	5 : 1	1	DIS-H-00001707	SH. HOSODA	TS. MIYAZAKI	16.06.10

APPROVED	DATE	DRAWING NO.
KH. IKEDA	13.08.19	EDC3-160938-77
YH. MICHIDA	13.08.09	PART NO.
YN. SAKAMOTO	13.08.08	DF12B(5.0)-*DP-0.5V(86)
KR. AJITO	13.08.08	CODE NO.
		CL537



STYLE AND DIMENTION OF REEL (FREE)

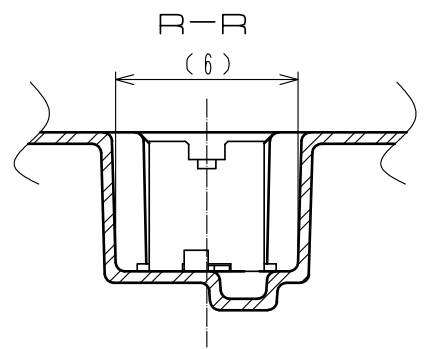


SUPPLIER
 QUANTITY
 PART No.
 CODE No.
 DATE OF MANUFACTURED

DETAIL OF PART No. LABEL

生産月日	年 月 日
図番	CL537-****-*-86
品名	DF12B(5.0)-*DP-0.5V(86)
納入数量	1000K0
納入者	ヒロセ電機(株)

CODE No.	CONTACT	H	J	K	L	M	N
CL537-0378-9-86	20	16	-	7.5	12	0.38	17.5
CL537-0380-0-86	30	24	-	11.5	12	0.38	25.5
CL537-0381-3-86	36	24	-	11.5	12	0.38	25.5
CL537-0382-6-86	40	24	-	11.5	12	0.38	25.5
CL537-0384-1-86	50	24	-	11.5	8	0.30	25.5
CL537-0386-7-86	60	32	28.4	14.2	12	0.30	33.5



- NOTES 4 1 REEL 1000 CONNECTORS.
 5 AT THE BEGINNING OF THE REEL, 30 COMPONENTS SHALL BE EMPTY. AT THE END OF THE REEL, 20 COMPONENTS SHALL BE EMPTY.
 6 WHEN THE TAPE WIDTH IS 32 mm, SPROCKET HOLES SHALL BE SET ON BOTH SIDE OF REEL AS SHOWN ON THIS DRAWING.
 7 PEEL FORCE REFERS TO JIS C 0806. (IEC 60286-3)
 8 THE REEL IS PACKED WITH A POLYETHYLENE MATERIAL, TOGETHER WITH A DRYING AGENT.
 9 AFTER PACKING, ROLL 2 METERS OF THE REINFORCEMENT COLLAR TO OUTER CIRCUMFERENCE OF TAPE AND REEL POCKET, AND TAPE DOWN AT THE END THE COLLAR.

HRS	DRAWING NO.	EDC3-160938-77
	PART NO.	DF12B(5.0)-*DP-0.5V(86)
	CODE NO.	CL537
		2/2

X-ON Electronics

Largest Supplier of Electrical and Electronic Components

Click to view similar products for [Board to Board & Mezzanine Connectors](#) category:

Click to view products by [Hirose](#) manufacturer:

Other Similar products are found below :

[589158040000018](#) [FCN-230C068-11](#) [FCN-268F012-G/BD](#) [FCN-268F036-G/BD](#) [FCN-268M012-G/0D](#) [FCN-268M024-G/1D](#) [FCN-723J004/1](#) [MIS-048-01-F-D-DP-K](#) [832-10-034-10-001000](#) [FX4C-80S-1.27DSA](#) [FCN-214Q030-G/0](#) [FCN-234P048-G/0](#) [FCN-235D050-G/C](#) [2-22603-0](#) [AXG720047](#) [5031084030](#) [MIT-114-03-F-D-K](#) [55323-1519](#) [YFT-20-05-H-03-SB-K](#) [503308-3040](#) [026-6203-PDB](#) [027-6203-PDB](#) [069159702701000](#) [10123981-102LF](#) [101A10019X](#) [55650-0588-C](#) [68682-310LF](#) [68684-306](#) [75140-7012](#) [87471-650](#) [YTW-30-07-H-Q-410-140](#) [194261-1](#) [FCN-268F024-G0D](#) [10124054-515LF](#) [68685-603](#) [8-1616154-3](#) [MIS-019-01-F-D](#) [FCN-268M024-G/3D](#) [FCN-268M036-G/BD](#) [20021832-06016C1LF](#) [KX15-20KLDL-E1000E](#) [AXE810124](#) [FCN-214J100-G/0](#) [FCN-230C068-E/S](#) [AXE812124](#) [AXE816124](#) [AXE720127](#) [354184](#) [MIT-019-04-F-D-K](#) [P50-028-DDS-TG](#)