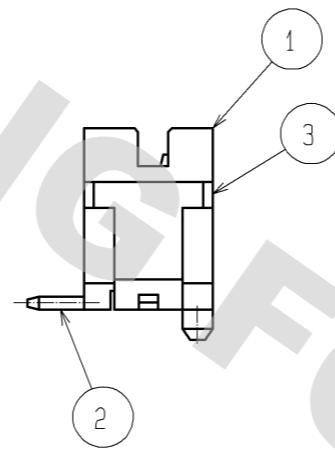
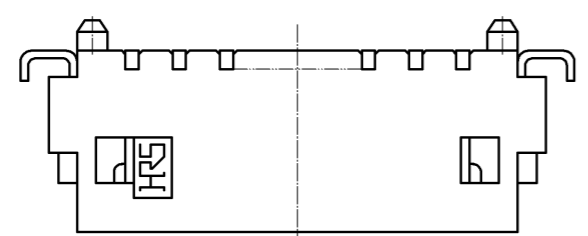
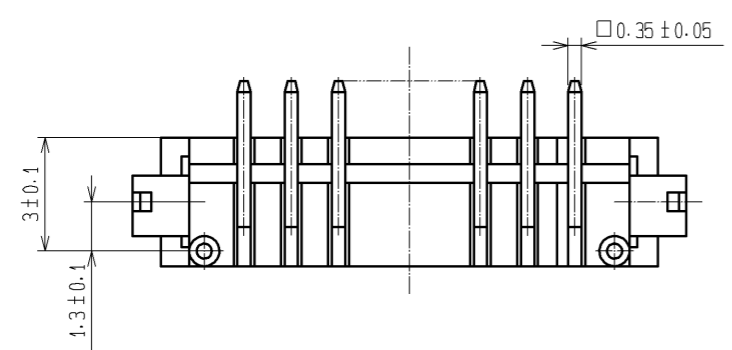
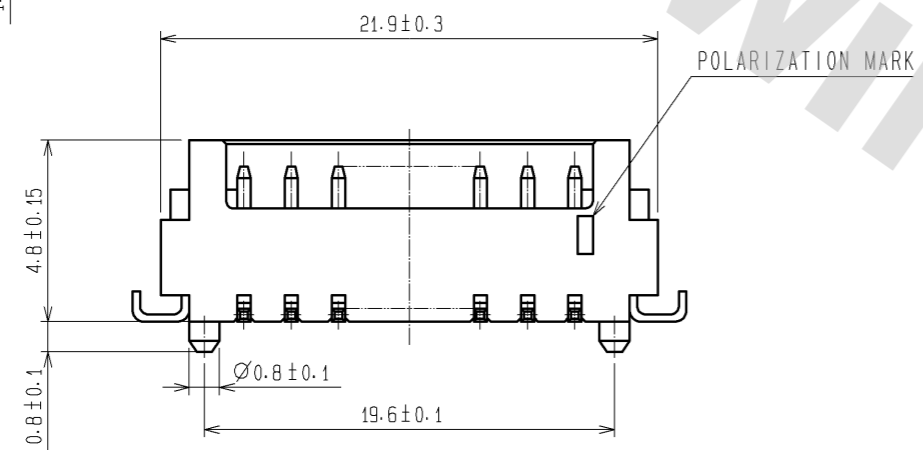
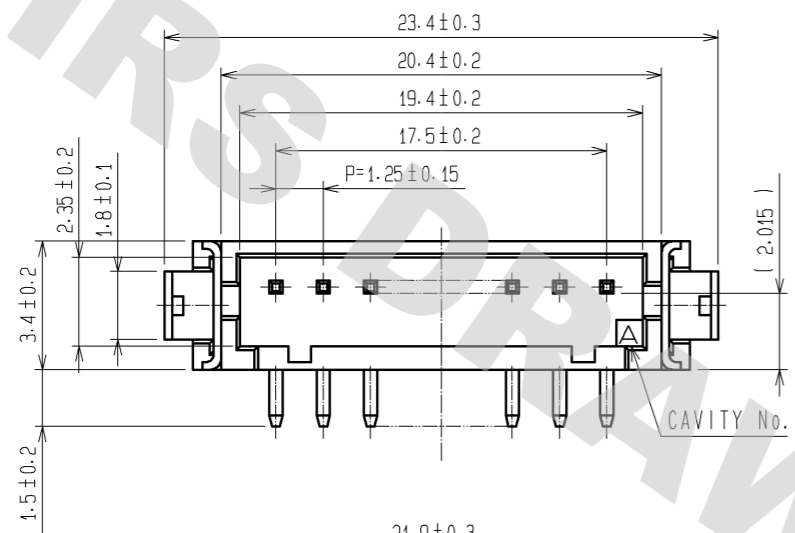
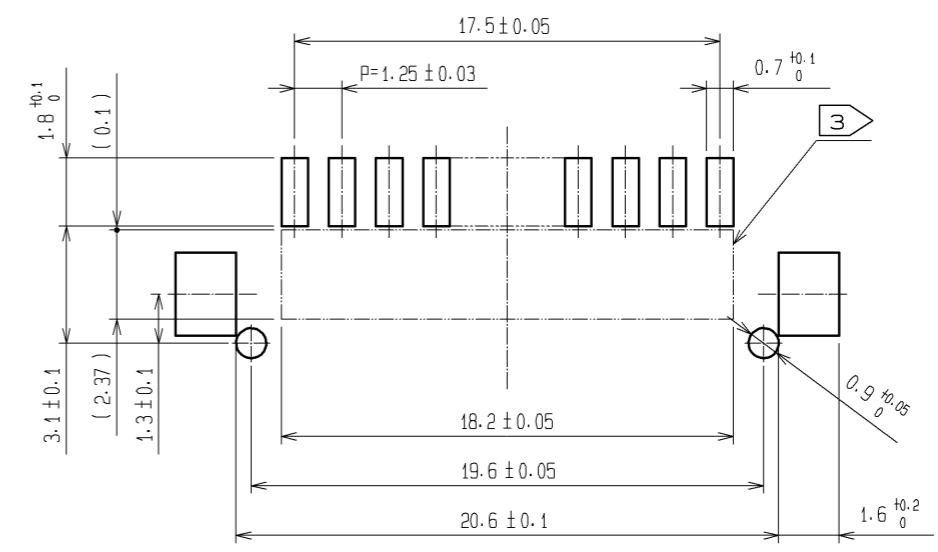


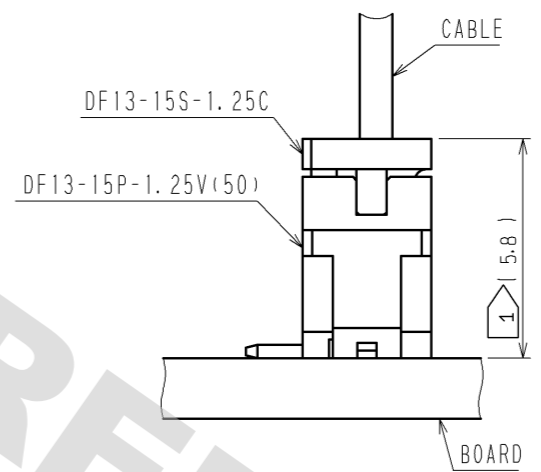
DRAWING FOR REFERENCE: This is subject to change without notice
08/11/2012



RECOMMENDED PATTERN



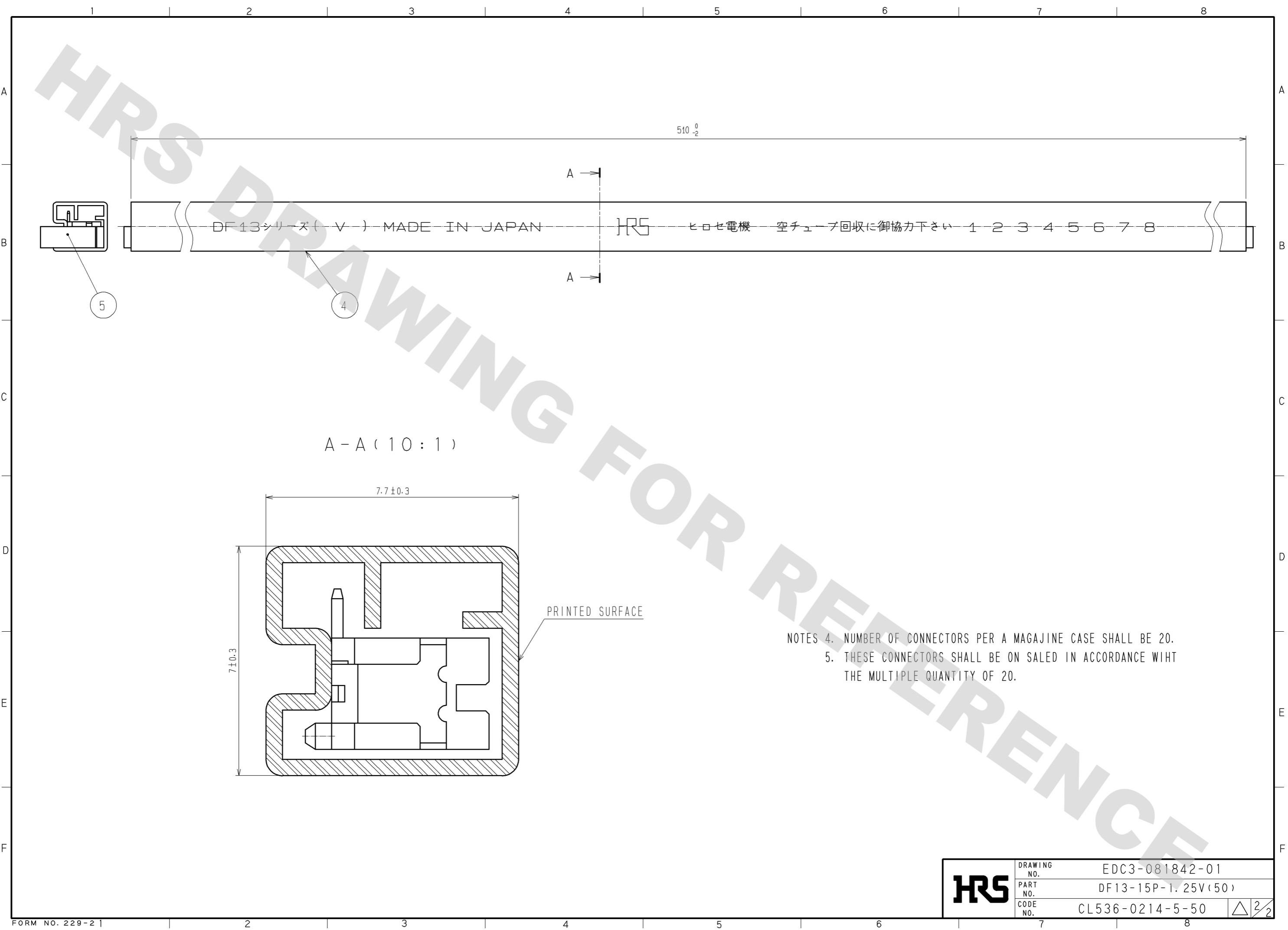
APPLICATION DRAWING



- NOTES
- 1 WHEN THIS CONNECTOR MATES WITH DF13-15S-1.25C, THE MATING HEIGHT IS 5.8mm.
 - 2 LEAD CO-PLANARITY INCLUDING REINFORCED METAL FITTINGS SHALL BE WITHIN 0.1mm. AREA TO PICK AND PLACE.
 - 3 PROHIBITED AREA OF PATTERN WITHOUT RESIST COATING.

2	BRASS	SURFACE:GOLD PLATED 0.2µm min UNDER PLATING:NICKEL PLATED 0.5µm min	5	S. PVC	GRAY, STOPPER
			4	R. PVC	ANTI-ELECTRIFICATION, CLEAR, STICK
1	POLYAMIDE	UL94V-0, BEIGE	3	PHOSPHOR BRONZE	SURFACE:TIN PLATED 1µm min
NO.	MATERIAL	FINISH, REMARKS	NO.	MATERIAL	FINISH, REMARKS
UNITS mm		SCALE 5 : 1	COUNT 	DESCRIPTION OF REVISIONS	
APPROVED : TY. OMA			07.07.06	DRAWING NO. EDC3-081842-01	
CHECKED : HK. UMEHARA			07.07.05	PART NO. DF13-15P-1.25V(50)	
DESIGNED : TS. KUMAZAWA			07.07.05	CODE NO. CL536-0214-5-50	
DRAWN : AK. MIURA			07.07.04	DATE	
			HIROSE ELECTRIC CO., LTD.		

DRAWING FOR REFERENCE: This is subject to change without notice
08/11/2012



NOTES 4. NUMBER OF CONNECTORS PER A MAGAZINE CASE SHALL BE 20.
5. THESE CONNECTORS SHALL BE ON SALED IN ACCORDANCE WIHT THE MULTIPLE QUANTITY OF 20.

HRS	DRAWING NO.	EDC3-081842-01
	PART NO.	DF13-15P-1.25V(50)
	CODE NO.	CL536-0214-5-50
		△ 2/2

X-ON Electronics

Largest Supplier of Electrical and Electronic Components

Click to view similar products for [Headers & Wire Housings](#) category:

Click to view products by [Hirose](#) manufacturer:

Other Similar products are found below :

[892-18-020-10-001101](#) [58102-G61-06LF](#) [582553-1](#) [0009485154](#) [009176003701906](#) [0050291907](#) [LY20-4P-DT1-P1E-BR](#) [02.125.8002.8](#)
[609-3404](#) [61062-3](#) [622-0430](#) [622-3653LF](#) [63453-116](#) [636-1030](#) [636-1427](#) [636-3427](#) [636-4007](#) [641938-9](#) [641991-4](#) [644827-2](#) [65817-010LF](#)
[65817-015LF](#) [65863-015LF](#) [66207-023LF](#) [67095-007LF](#) [67601157](#) [68648-049](#) [70.362.1628.0](#) [70-4210](#) [70-4226B](#) [70-4853B](#) [707-5020](#) [707-5028](#) [71.350.2428.0](#) [71918-208LF](#) [71961-016LF](#) [733-134](#) [733-162](#) [754199-000](#) [760-3052](#) [787-8014-00](#) [79531-3000](#) [FCN-360C032-B](#) [FCN-367T-T012/H](#) [FCN-723D010/2](#) [80.063.4001.1](#) [800-90-001-10-001000](#) [800-90-010-10-002000](#) [801-43-002-10-013000](#) [801-43-006-10-002000](#)