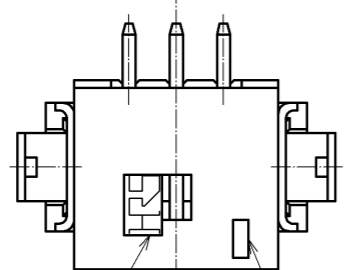
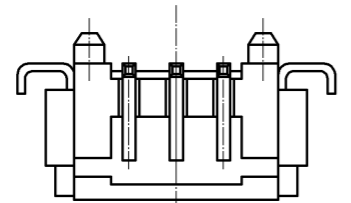
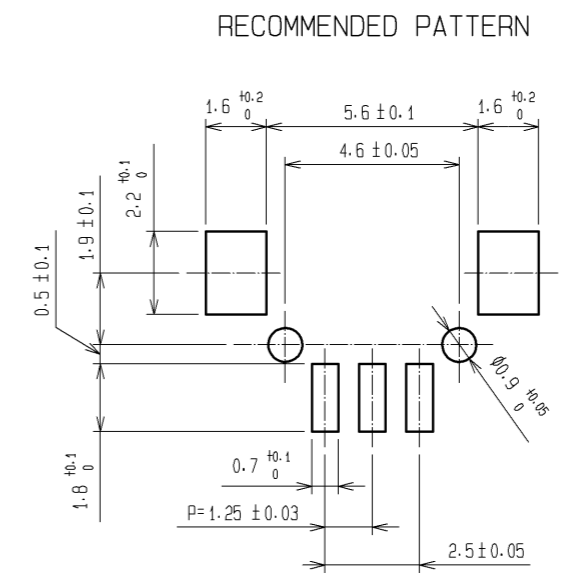
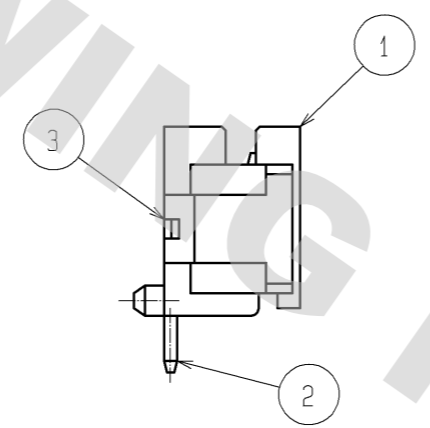
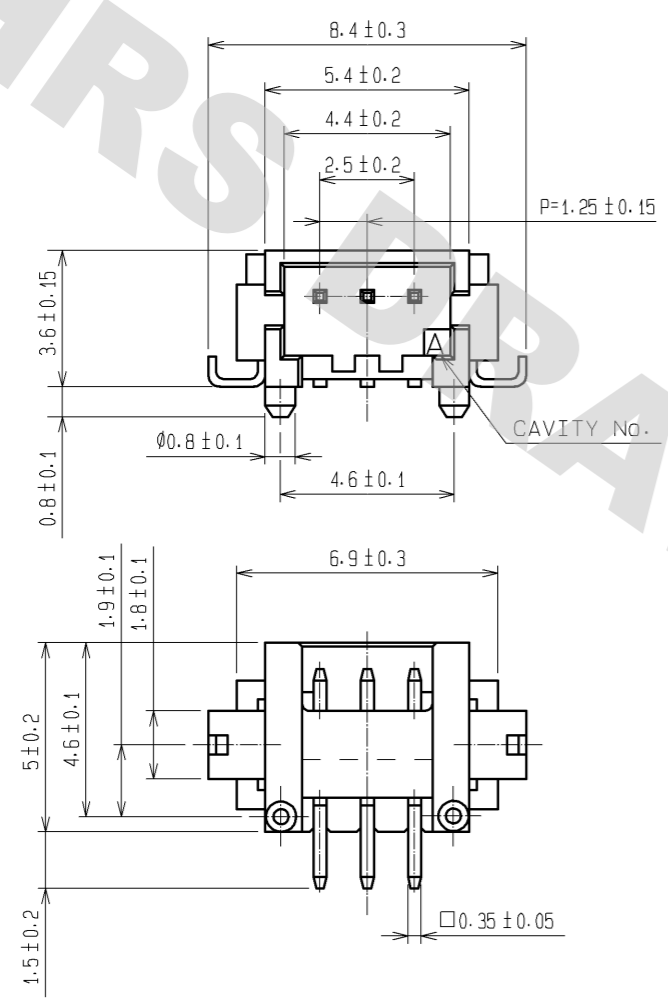
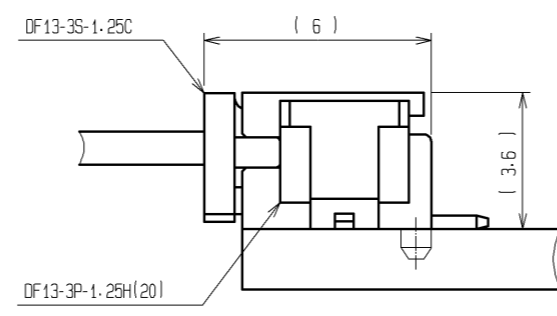


DRAWING FOR REFERENCE: This is subject to change without notice
08/11/2012



HRS MARKING POLARIZATION MARKING

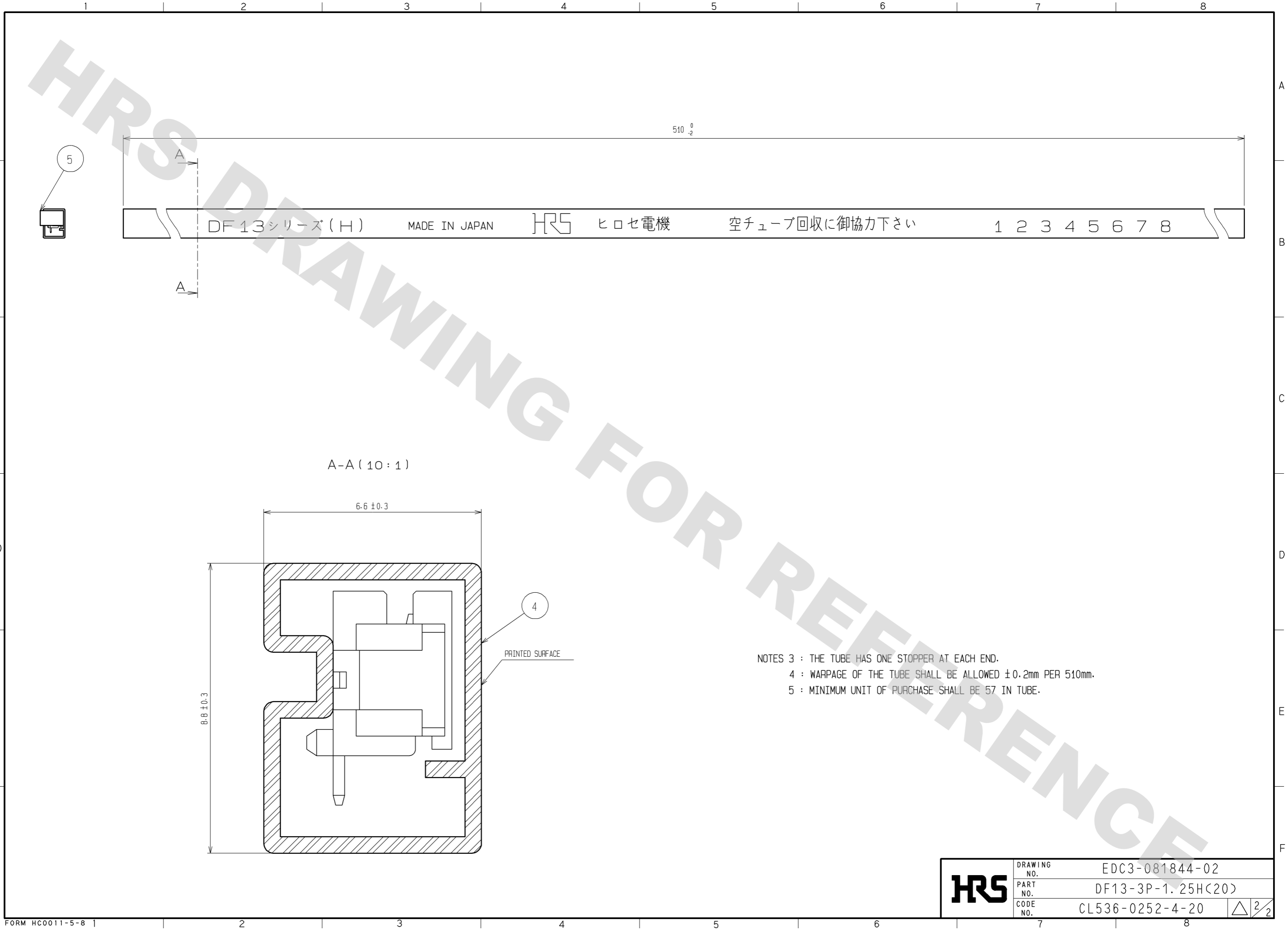
1 MATED CONNECTORS



NOTE 1: WHEN THIS CONNECTOR MATES WITH DF13-3S-1.25C THE MATING LENGTH IS 3.6 mm.
2: FLATNESS OF LEAD WITH REINFORCED METAL FITTINGS SHALL BE WITHIN 0.1mm.

2	BRASS	SURFACE PLATING:TIN PLATED 1μm min UNDER PLATING:COPPER PLATDE 0.5μm min	5	S. PVC	STOPPER
			4	PVC	TUBE
1	POLYAMIDE	BEIGE. UL94V-0	3	PHOSPHOR BRONZE	SURFACE PLATING:TIN PLATED 1μm min
NO.	MATERIAL	FINISH . REMARKS	NO.	MATERIAL	FINISH . REMARKS
UNITS mm		SCALE 5 : 1	COUNT △	DESCRIPTION OF REVISIONS	DESIGNED CHECKED DATE
HRS HIROSE ELECTRIC CO., LTD.		APPROVED : KI. AKIYAMA 11.08.01	DRAWING NO. EDC3-081844-02		
		CHECKED : HK. UMEHARA 11.08.01	PART NO. DF13-3P-1.25H(20)		
		DESIGNED : TS. KUMAZAWA 11.08.01	CODE NO. CL536-0252-4-20		
		DRAWN : ST. SATO 11.08.01	△ 1/2		

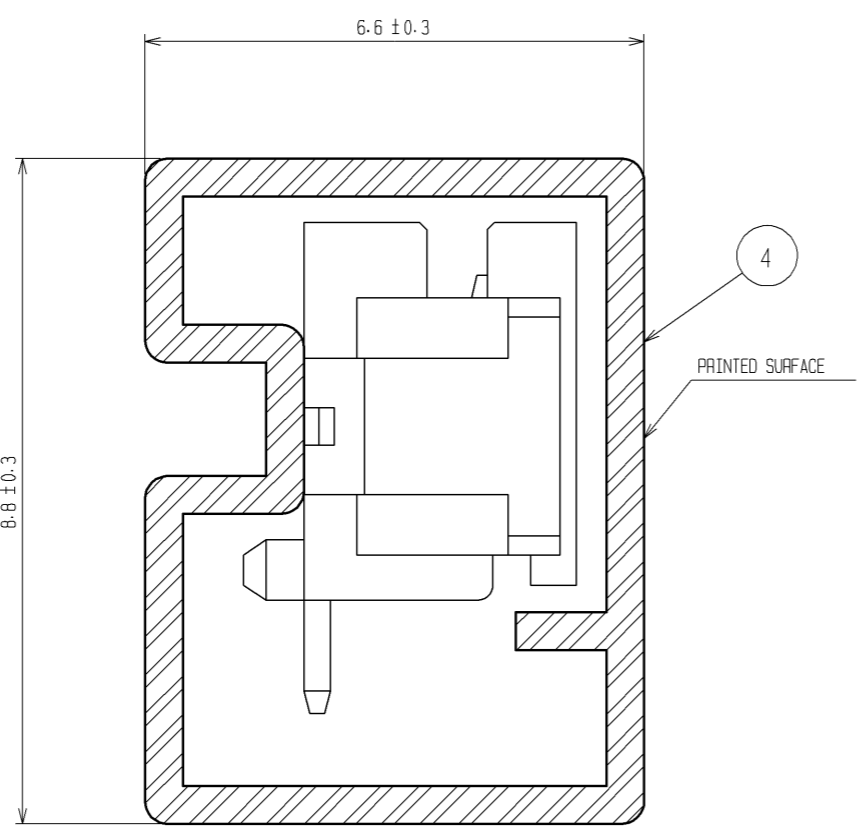
DRAWING FOR REFERENCE: This is subject to change without notice
08/11/2012



510⁰₋₂

DF13シリーズ(H) MADE IN JAPAN HRS ヒロセ電機 空チューブ回収に御協力下さい 1 2 3 4 5 6 7 8

A-A (10:1)



NOTES 3 : THE TUBE HAS ONE STOPPER AT EACH END.
4 : WARPAGE OF THE TUBE SHALL BE ALLOWED ±0.2mm PER 510mm.
5 : MINIMUM UNIT OF PURCHASE SHALL BE 57 IN TUBE.

HRS	DRAWING NO.	EDC3-081844-02
	PART NO.	DF13-3P-1.25H(20)
	CODE NO.	CL536-0252-4-20
		△ 2/2

X-ON Electronics

Largest Supplier of Electrical and Electronic Components

Click to view similar products for [Headers & Wire Housings](#) category:

Click to view products by [Hirose](#) manufacturer:

Other Similar products are found below :

[892-18-020-10-001101](#) [58102-G61-06LF](#) [582553-1](#) [0009485154](#) [009176003701906](#) [0050291907](#) [LY20-4P-DT1-P1E-BR](#) [02.125.8002.8](#)
[609-3404](#) [61062-3](#) [622-0430](#) [622-3653LF](#) [63453-116](#) [636-1030](#) [636-1427](#) [636-3427](#) [636-4007](#) [641938-9](#) [641991-4](#) [644827-2](#) [65817-010LF](#)
[65817-015LF](#) [65863-015LF](#) [66207-023LF](#) [67095-007LF](#) [67601157](#) [68648-049](#) [70.362.1628.0](#) [70-4210](#) [70-4226B](#) [70-4853B](#) [707-5020](#) [707-](#)
[5028](#) [71.350.2428.0](#) [71918-208LF](#) [71961-016LF](#) [733-134](#) [733-162](#) [754199-000](#) [760-3052](#) [787-8014-00](#) [79531-3000](#) [FCN-360C032-B](#) [FCN-](#)
[367T-T012/H](#) [FCN-723D010/2](#) [80.063.4001.1](#) [800-90-001-10-001000](#) [800-90-010-10-002000](#) [801-43-002-10-013000](#) [801-43-006-10-002000](#)