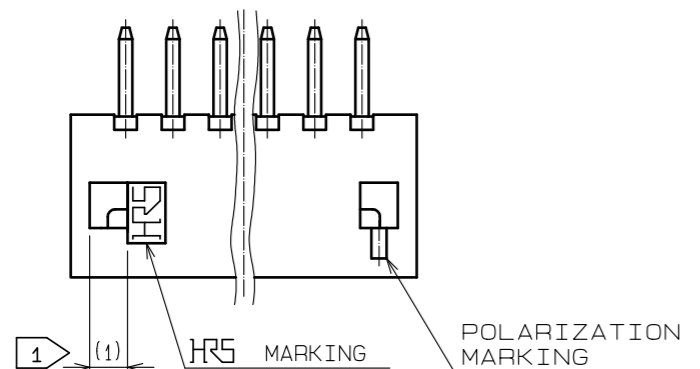
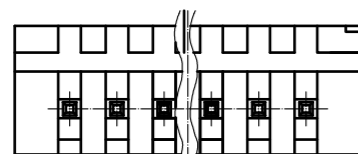
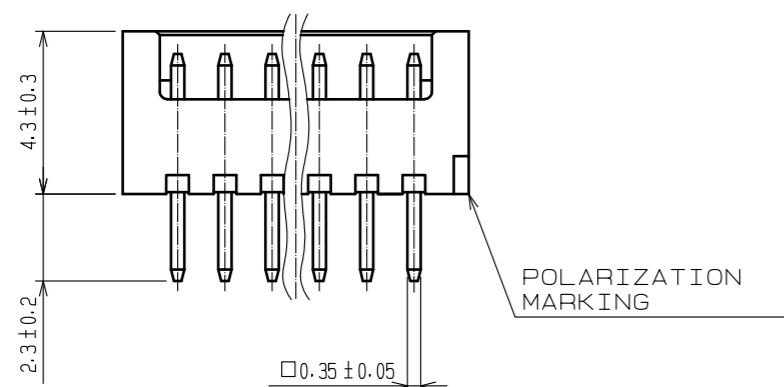
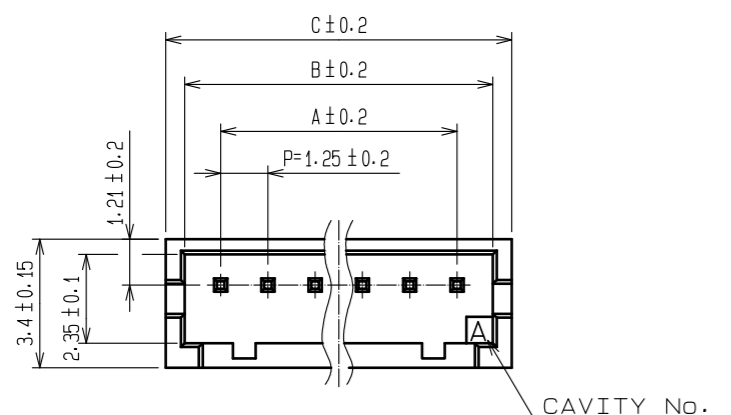


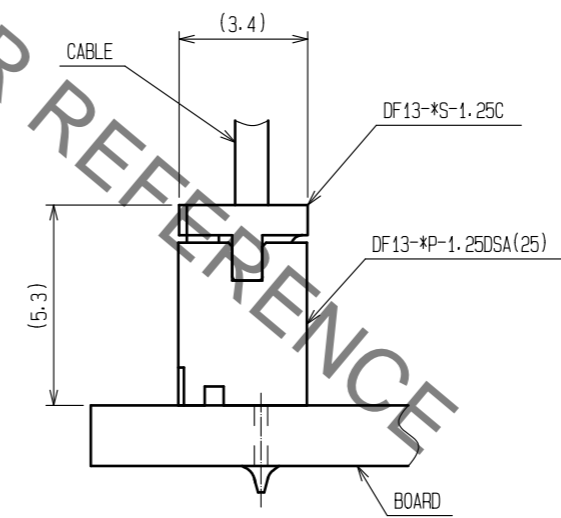
Jul.1.2022 Copyright 2022 HIROSE ELECTRIC CO., LTD. All Rights Reserved.
 In case of consideration for using Automotive equipment / device which demand high reliability, kindly contact our sales window correspondents.



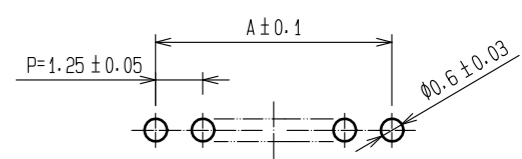
HRS DRAWING FOR REFERENCE

| PART No. | CODE No. | NUMBER OF CONTACTS | A | B | C |
|-----------------------|-----------------|--------------------|-------|-------|-------|
| DF13- 2P-1.25DSA (25) | CL536-0101-9-25 | 2 | 1.25 | 3.15 | 4.15 |
| DF13- 3P-1.25DSA (25) | CL536-0102-1-25 | 3 | 2.5 | 4.4 | 5.4 |
| DF13- 4P-1.25DSA (25) | CL536-0103-4-25 | 4 | 3.75 | 5.65 | 6.65 |
| DF13- 5P-1.25DSA (25) | CL536-0104-7-25 | 5 | 5 | 6.9 | 7.9 |
| DF13- 6P-1.25DSA (25) | CL536-0105-0-25 | 6 | 6.25 | 8.15 | 9.15 |
| DF13- 7P-1.25DSA (25) | CL536-0106-2-25 | 7 | 7.5 | 9.4 | 10.4 |
| DF13- 8P-1.25DSA (25) | CL536-0107-5-25 | 8 | 8.75 | 10.65 | 11.65 |
| DF13- 9P-1.25DSA (25) | CL536-0108-8-25 | 9 | 10 | 11.9 | 12.9 |
| DF13-10P-1.25DSA (25) | CL536-0109-0-25 | 10 | 11.25 | 13.15 | 14.15 |
| DF13-11P-1.25DSA (25) | CL536-0110-0-25 | 11 | 12.5 | 14.4 | 15.4 |
| DF13-12P-1.25DSA (25) | CL536-0111-2-25 | 12 | 13.75 | 15.65 | 16.65 |
| DF13-13P-1.25DSA (25) | CL536-0112-5-25 | 13 | 15 | 16.9 | 17.9 |
| DF13-14P-1.25DSA (25) | CL536-0113-8-25 | 14 | 16.25 | 18.15 | 19.15 |
| DF13-15P-1.25DSA (25) | CL536-0114-0-25 | 15 | 17.5 | 19.4 | 20.4 |

② APPLICATION FIGURE



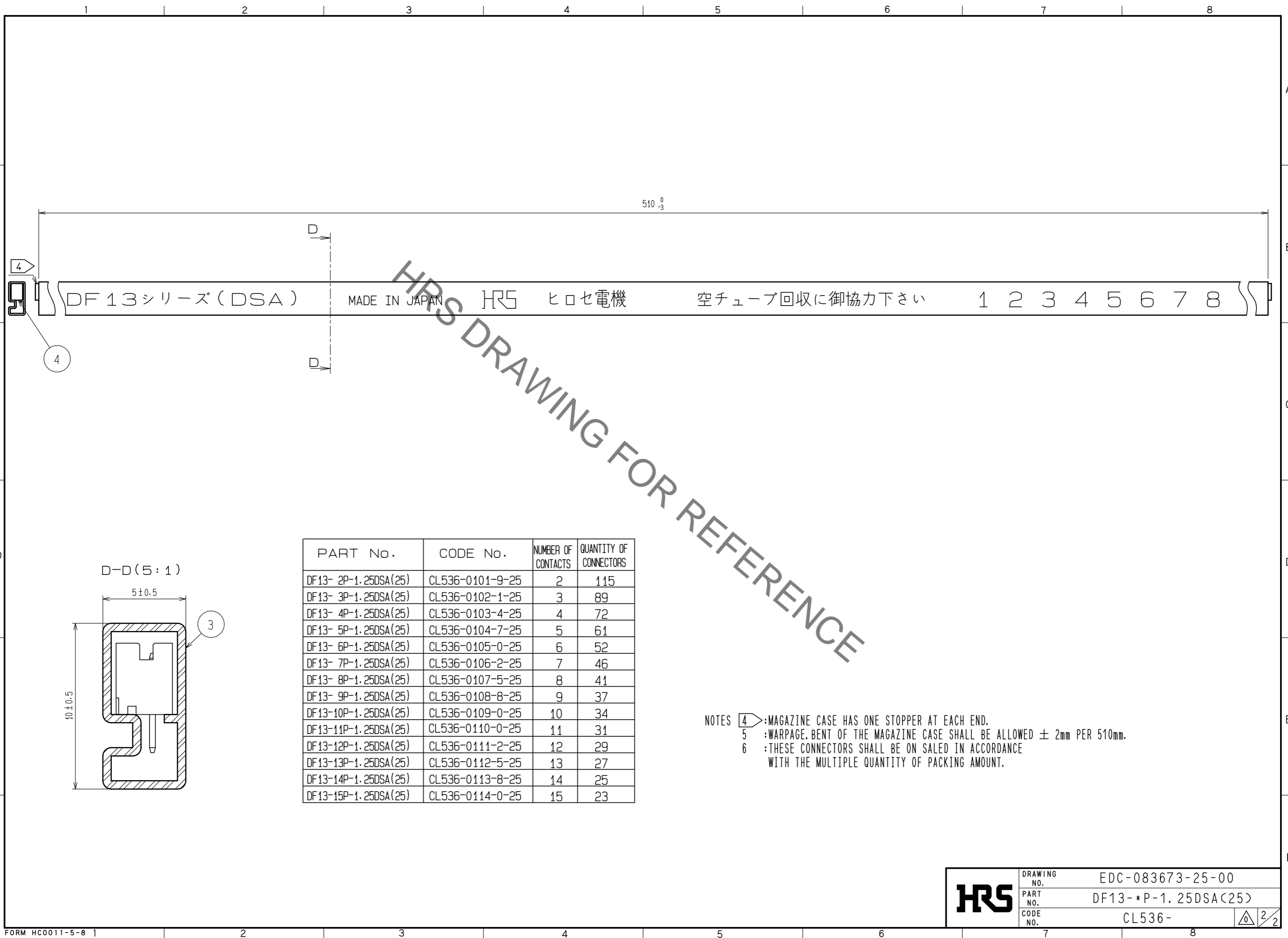
③ RECOMMENDED PATTERN (BOARD THICKNESS 1mm)



- ① WHEN THIS CONNECTOR HAS TWO OR THREE CONTACTS, THE LOCK OF CONNECTOR SHALL BE SET AT THE CENTER OF HOUSING. IN CASE THAT THE NUMBER OF CONTACTS IS MORE THAN FOUR, THE TWO LOCKS SHALL BE SET IN ACCORDANCE WITH THE DRAWINGS.
- ② WHEN THIS CONNECTOR MATES WITH DF13-*S-1.25C, THE MATING HEIGHT IS 5.3mm.
- ③ RECOMMENDED THROUGH HOLE DIA. : $\phi 0.6 \pm 0.03$

| | | | | | |
|--------------------------------------|-----------|--|------------------------------|--------------------------|----------------------------------|
| 2 | BRASS | SURFACE:TIN PLATED 1µm min. UNDER PLATING:COPPER PLATED 1µm min | 4 | ELASTOMER | GREEN·STOPPER |
| 1 | POLYAMIDE | BEIGE (NATURAL) · UL94V-0 | 3 | PS | ANTI-ELECTRIFICATION·CLEAR·STICK |
| NO. | MATERIAL | FINISH . REMARKS | NO. | MATERIAL | FINISH . REMARKS |
| UNITS mm | | SCALE 5 : 1 | COUNT | DESCRIPTION OF REVISIONS | DESIGNED |
| HRS HIROSE ELECTRIC CO., LTD. | | APPROVED : SJ. OKAMURA 20211217 | DRAWING NO. EDC-083673-25-00 | | |
| | | CHECKED : SZ. ONO 20211217 | PART NO. DF13-*P-1.25DSA(25) | | |
| | | DESIGNED : HT. SATO 20211217 | CODE NO. CL536- | | |
| | | DRAWN : SK. CHIBA 20211217 | ①/② | | |

Jul.1.2022 Copyright 2022 HIROSE ELECTRIC CO., LTD. All Rights Reserved.
 In case of consideration for using Automotive equipment / device which demand high reliability, kindly contact our sales window correspondents.



1 2 3 4 5 6 7 8

A A

B B

C C

D D

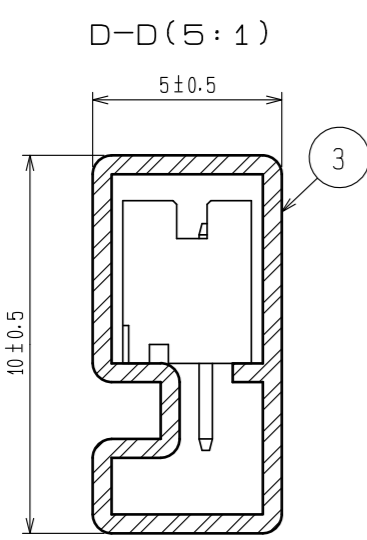
E E

F F

510⁰₋₃

DF13シリーズ(DSA) MADE IN JAPAN HRS ヒロセ電機 空チューブ回収に御協力下さい 1 2 3 4 5 6 7 8

| PART No. | CODE No. | NUMBER OF CONTACTS | QUANTITY OF CONNECTORS |
|----------------------|-----------------|--------------------|------------------------|
| DF13- 2P-1.25DSA(25) | CL536-0101-9-25 | 2 | 115 |
| DF13- 3P-1.25DSA(25) | CL536-0102-1-25 | 3 | 89 |
| DF13- 4P-1.25DSA(25) | CL536-0103-4-25 | 4 | 72 |
| DF13- 5P-1.25DSA(25) | CL536-0104-7-25 | 5 | 61 |
| DF13- 6P-1.25DSA(25) | CL536-0105-0-25 | 6 | 52 |
| DF13- 7P-1.25DSA(25) | CL536-0106-2-25 | 7 | 46 |
| DF13- 8P-1.25DSA(25) | CL536-0107-5-25 | 8 | 41 |
| DF13- 9P-1.25DSA(25) | CL536-0108-8-25 | 9 | 37 |
| DF13-10P-1.25DSA(25) | CL536-0109-0-25 | 10 | 34 |
| DF13-11P-1.25DSA(25) | CL536-0110-0-25 | 11 | 31 |
| DF13-12P-1.25DSA(25) | CL536-0111-2-25 | 12 | 29 |
| DF13-13P-1.25DSA(25) | CL536-0112-5-25 | 13 | 27 |
| DF13-14P-1.25DSA(25) | CL536-0113-8-25 | 14 | 25 |
| DF13-15P-1.25DSA(25) | CL536-0114-0-25 | 15 | 23 |



NOTES 4: MAGAZINE CASE HAS ONE STOPPER AT EACH END.
 5: WARPAGE, BENT OF THE MAGAZINE CASE SHALL BE ALLOWED ± 2mm PER 510mm.
 6: THESE CONNECTORS SHALL BE ON SALED IN ACCORDANCE WITH THE MULTIPLE QUANTITY OF PACKING AMOUNT.

| | | |
|------------|-------------|---------------------|
| HRS | DRAWING NO. | EDC-083673-25-00 |
| | PART NO. | DF13-*P-1.25DSA(25) |
| | CODE NO. | CL536- |

X-ON Electronics

Largest Supplier of Electrical and Electronic Components

Click to view similar products for [Headers & Wire Housings](#) category:

Click to view products by [Hirose](#) manufacturer:

Other Similar products are found below :

[57102-F02-18ULF](#) [58102-G61-06LF](#) [582553-1](#) [009176003701906](#) [01.001.5753.1](#) [0050291907](#) [02.125.8002.8](#) [609-3404](#) [61062-3](#)
[CSU011177004](#) [622-0430](#) [622-3653LF](#) [63453-116](#) [636-1030](#) [636-1427](#) [636-3427](#) [636-4007](#) [641938-9](#) [644827-2](#) [65495-038](#) [65692-001LF](#)
[65781-018](#) [65781-047](#) [65817-010LF](#) [65817-015LF](#) [66207-023LF](#) [67095-007LF](#) [68631-112](#) [68645-018](#) [699319-000](#) [70.362.1628.0](#) [70-4210](#)
[70-4226B](#) [70-4853B](#) [707-5020](#) [707-5028](#) [71.350.2428.0](#) [71961-016LF](#) [733-134](#) [733-162](#) [754199-000](#) [760-3052](#) [800-90-001-10-001000](#)
[801-43-002-10-013000](#) [801-43-006-10-002000](#) [803-41-018-10-001000](#) [803-43-014-20-001000](#) [803-43-024-10-001000](#) [803-93-012-10-001000](#)
[8-1437020-4](#)