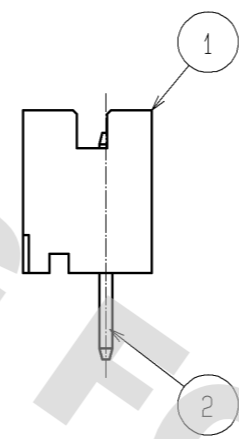
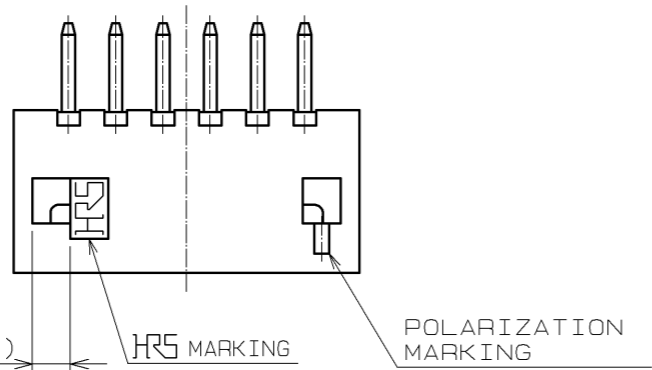
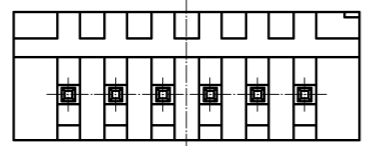
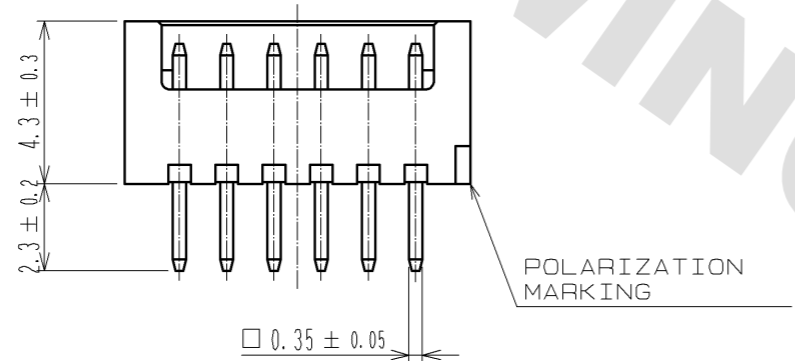
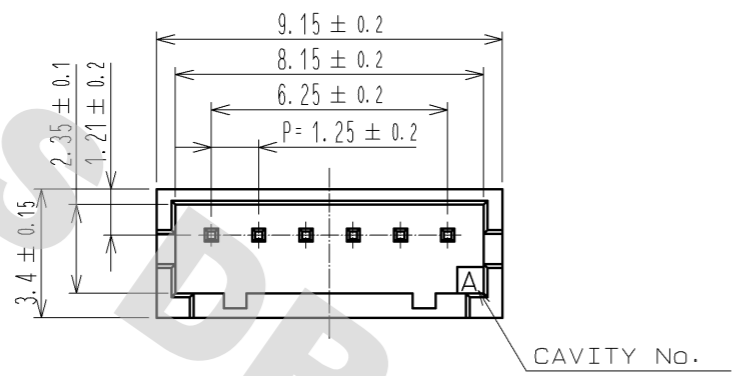
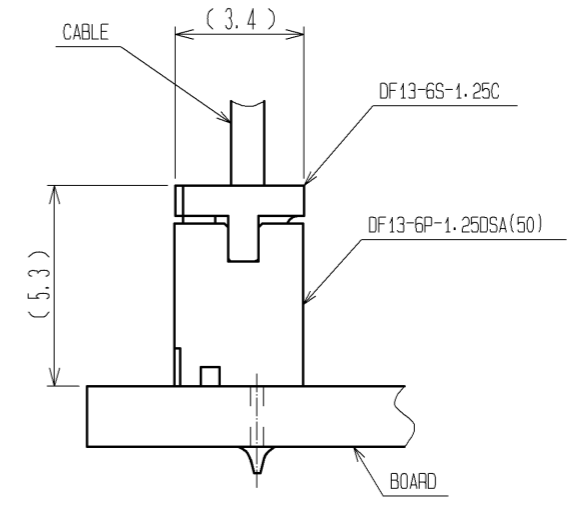


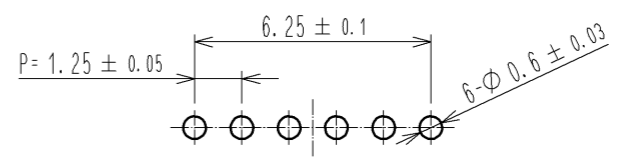
DRAWING FOR REFERENCE: This is subject to change without notice
08/11/2012



1 APPLICATION FIGURE



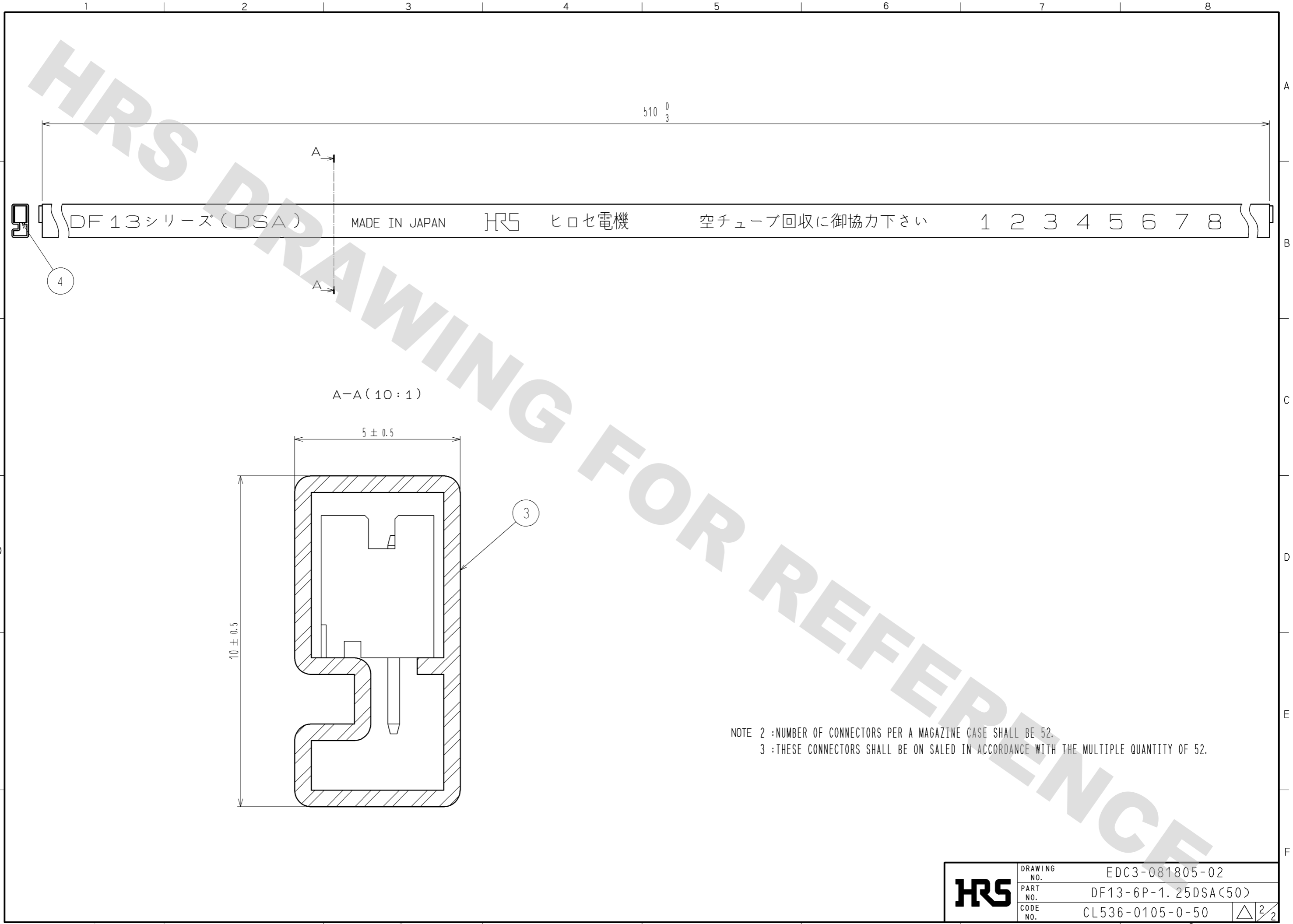
RECOMMENDED PATTERN (BOARD THICKNESS 1mm)



NOTE 1 WHEN THIS CONNECTOR MATES WITH DF13-6S-1.25C, THE MATING LENGTH IS 5.3mm.

| | | | | | | | | |
|--------------------------------------|-----------|--|------------|------------------------------|---------------------------------|----------|---------|------|
| 2 | BRASS | SURFACE:GOLD PLATED 0.2µm min UNDER PLATING:NICKEL PLATED 0.5µm min | 4 | STYRENIC-BASED ELASTOMERS | STOPPER, GREEN | | | |
| 1 | POLYAMIDE | BEIGE (NATURAL), UL94V-0 | 3 | PS | ELECTROSTATIC PROTECTION, CLEAR | | | |
| NO. | MATERIAL | FINISH, REMARKS | NO. | MATERIAL | FINISH, REMARKS | | | |
| UNITS mm | | SCALE 5 : 1 | COUNT △ | DESCRIPTION OF REVISIONS | | DESIGNED | CHECKED | DATE |
| HRS HIROSE ELECTRIC CO., LTD. | | APPROVED : TS. SAKATA | 08.09.01 | DRAWING NO. EDC3-081805-02 | | | | |
| | | CHECKED : TS. KUMAZAWA | 08.08.29 | PART NO. DF13-6P-1.25DSA(50) | | | | |
| | | DESIGNED : SN. KOBAYASHI | 08.08.29 | CODE NO. CL536-0105-0-50 | | | | |
| | | DRAWN : SN. KOBAYASHI | 08.08.29 | | | | | |

DRAWING FOR REFERENCE: This is subject to change without notice
08/11/2012



NOTE 2 : NUMBER OF CONNECTORS PER A MAGAZINE CASE SHALL BE 52.
3 : THESE CONNECTORS SHALL BE ON SALED IN ACCORDANCE WITH THE MULTIPLE QUANTITY OF 52.

| | | |
|------------|-------------|---------------------|
| HRS | DRAWING NO. | EDC3-081805-02 |
| | PART NO. | DF13-6P-1.25DSA(50) |
| | CODE NO. | CL536-0105-0-50 |
| | | △ 2/2 |

X-ON Electronics

Largest Supplier of Electrical and Electronic Components

Click to view similar products for [Headers & Wire Housings](#) category:

Click to view products by [Hirose](#) manufacturer:

Other Similar products are found below :

[892-18-020-10-001101](#) [58102-G61-06LF](#) [582553-1](#) [0009485154](#) [009176003701906](#) [0050291907](#) [LY20-4P-DT1-P1E-BR](#) [02.125.8002.8](#)
[609-3404](#) [61062-3](#) [622-0430](#) [622-3653LF](#) [63453-116](#) [636-1030](#) [636-1427](#) [636-3427](#) [636-4007](#) [641938-9](#) [641991-4](#) [644827-2](#) [65817-010LF](#)
[65817-015LF](#) [65863-015LF](#) [66207-023LF](#) [67095-007LF](#) [67601157](#) [68648-049](#) [70.362.1628.0](#) [70-4210](#) [70-4226B](#) [70-4853B](#) [707-5020](#) [707-5028](#) [71.350.2428.0](#) [71918-208LF](#) [71961-016LF](#) [733-134](#) [733-162](#) [754199-000](#) [760-3052](#) [787-8014-00](#) [79531-3000](#) [FCN-360C032-B](#) [FCN-367T-T012/H](#) [FCN-723D010/2](#) [80.063.4001.1](#) [800-90-001-10-001000](#) [800-90-010-10-002000](#) [801-43-002-10-013000](#) [801-43-006-10-002000](#)