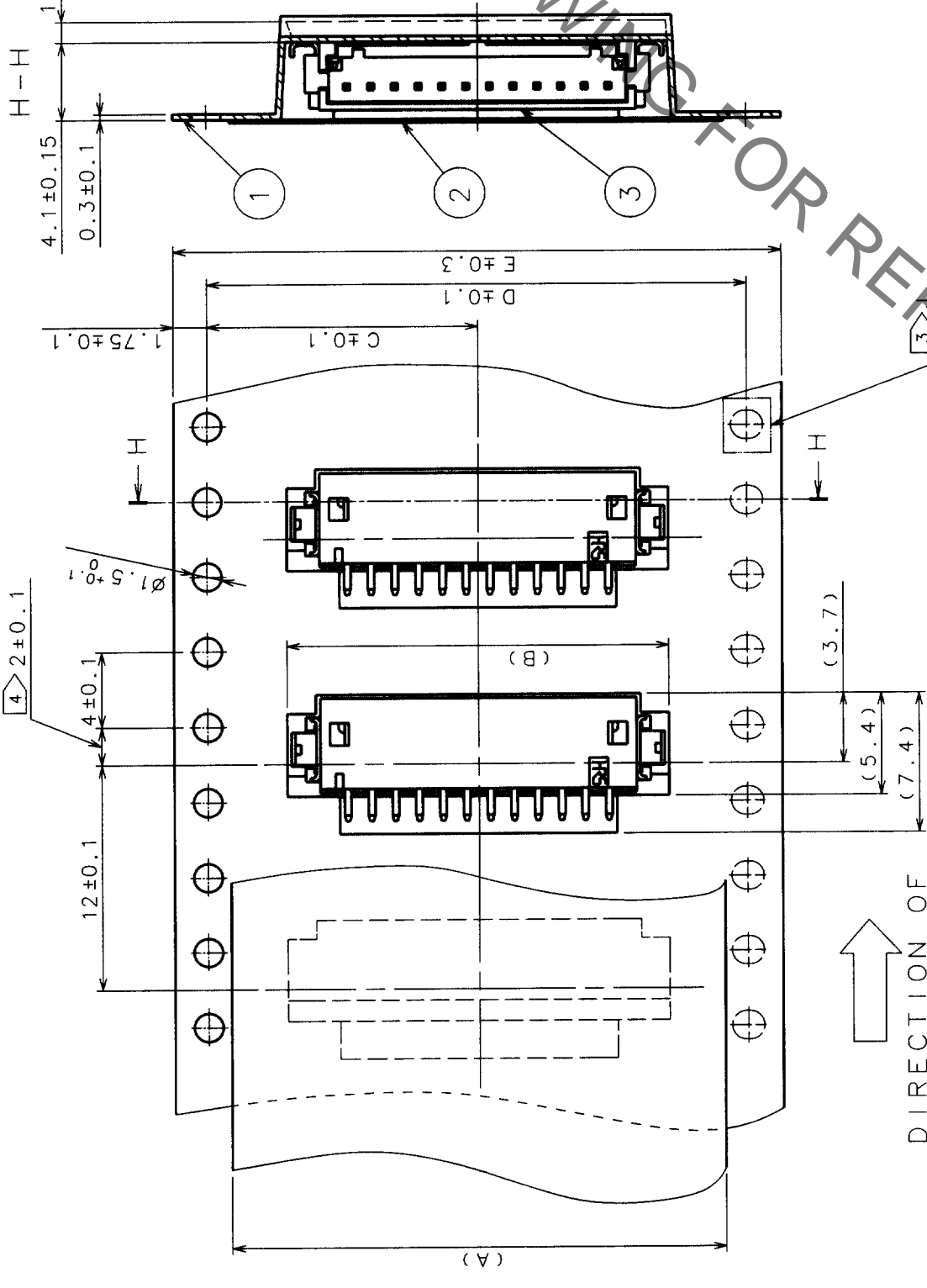
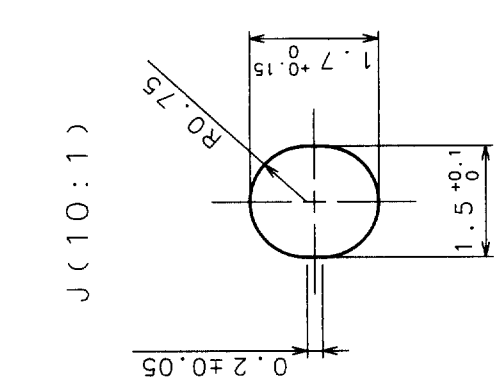
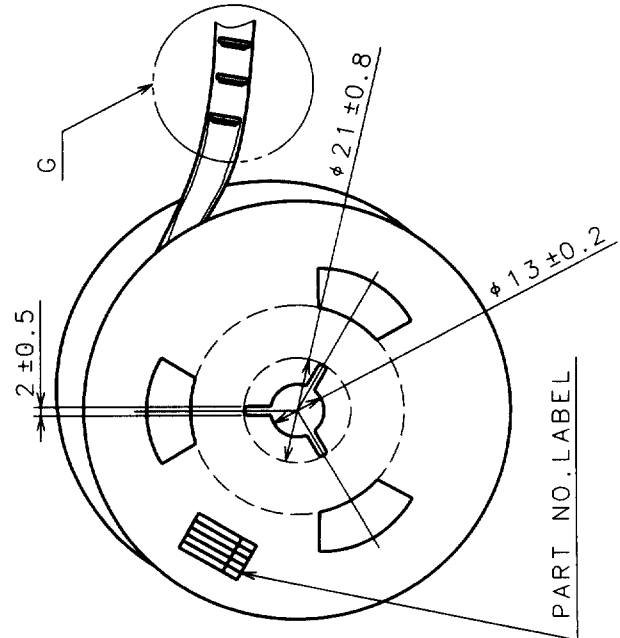


COUNT	DESCRIPTION OF REVISIONS	BY	CHKD	DATE	COUNT	DESCRIPTION OF REVISIONS	BY	CHKD	DATE

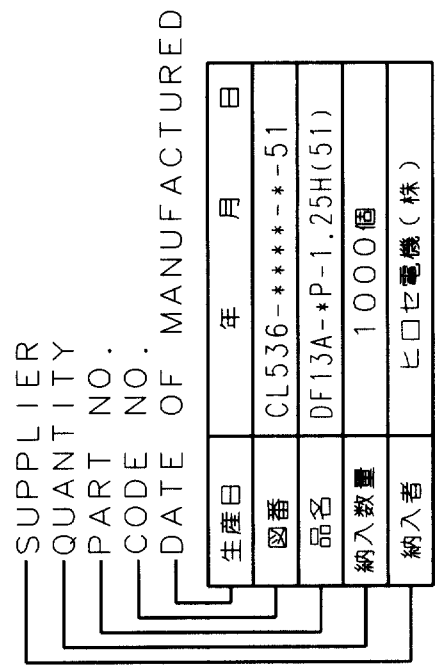
CODE NO.	PART NO.	A	B	C	D	E	F
CL536-0301-8-51	DF13A-2P-1.25H(51)	13.5	7.6	7.5	/	16	16.4
CL536-0302-0-51	DF13A-3P-1.25H(51)	13.5	8.85	7.5	/	16	16.4
CL536-0303-3-51	DF13A-4P-1.25H(51)	21.5	10.1	11.5	/	24	24.4
CL536-0304-6-51	DF13A-5P-1.25H(51)	21.5	11.35	11.5	/	24	24.4
CL536-0305-9-51	DF13A-6P-1.25H(51)	21.5	12.6	11.5	/	24	24.4
CL536-0306-1-51	DF13A-7P-1.25H(51)	21.5	13.85	11.5	/	24	24.4
CL536-0307-4-51	DF13A-8P-1.25H(51)	21.5	15.1	11.5	/	24	24.4
CL536-0308-7-51	DF13A-9P-1.25H(51)	21.5	16.35	11.5	/	24	24.4
CL536-0309-0-51	DF13A-10P-1.25H(51)	21.5	17.6	11.5	/	24	24.4
CL536-0310-9-51	DF13A-11P-1.25H(51)	26	18.85	14.2	28.4	32	32.4
CL536-0311-1-51	DF13A-12P-1.25H(51)	26	20.1	14.2	28.4	32	32.4
CL536-0313-7-51	DF13A-14P-1.25H(51)	26	22.6	14.2	28.4	32	32.4
CL536-0314-0-51	DF13A-15P-1.25H(51)	37	23.85	20.2	40.4	44	44.4



STYLE AND DIMENSION OF REEL



DETAIL OF PART NO. LABEL



- NOTES 1: 1 REEL 1000 CONNECTORS.
- 2: AT THE BEGINNING OF THE REEL, 30 COMPONENTS SHALL BE EMPTY. AT THE END OF THE REEL, 20 COMPONENTS SHALL BE EMPTY.
- 3: WHEN THE TAPE WIDTH IS 32 OR 44mm, SPROCKET HOLES SHALL BE SET ON BOTH SIDES OF REEL AS SHOWN ON THIS DRAWING.
- 4: WHEN THE TAPE WIDTH IS 44mm OR OVER, THE TOLERANCE SHALL BE 2±0.15.

2 POLYESTER (COVER TAPE)	CLEAR				
1 PAN	CLEAR				
NO. MATERIAL	FINISH, REMARKS	DRAWN	DESIGNED	CHECKED	APPROVED
CODE NO. (OLD)					
		F. Asai	F. Asai	K. Hayama	K. Katayama
		98. 6. 23	98. 6. 23	98. 6. 25	98. 6. 25
DRAWING NO. EDC3-162444-02		PART NO. DF13A-*P-1.25H(51)		CODE NO. CODE NO. SHALL BE ACCORDANCE WITH TABLE. 1	
SCALE FR:EE		UNITS mm		HIROSE ELECTRIC CO., LTD.	
HRS		HRS		HRS	

TO	
----	--

X-ON Electronics

Largest Supplier of Electrical and Electronic Components

Click to view similar products for [Headers & Wire Housings](#) category:

Click to view products by [Hirose](#) manufacturer:

Other Similar products are found below :

[892-18-020-10-001101](#) [58102-G61-06LF](#) [582553-1](#) [0009485154](#) [009176003701906](#) [0050291907](#) [LY20-4P-DT1-P1E-BR](#) [02.125.8002.8](#)
[609-3404](#) [61062-3](#) [622-0430](#) [622-3653LF](#) [63453-116](#) [636-1030](#) [636-1427](#) [636-3427](#) [636-4007](#) [641938-9](#) [641991-4](#) [644827-2](#) [65817-010LF](#)
[65817-015LF](#) [65863-015LF](#) [66207-023LF](#) [67095-007LF](#) [67601157](#) [68648-049](#) [70.362.1628.0](#) [70-4210](#) [70-4226B](#) [70-4853B](#) [707-5020](#) [707-](#)
[5028](#) [71.350.2428.0](#) [71918-208LF](#) [71961-016LF](#) [733-134](#) [733-162](#) [754199-000](#) [760-3052](#) [787-8014-00](#) [79531-3000](#) [FCN-360C032-B](#) [FCN-](#)
[367T-T012/H](#) [FCN-723D010/2](#) [80.063.4001.1](#) [800-90-001-10-001000](#) [800-90-010-10-002000](#) [801-43-002-10-013000](#) [801-43-006-10-002000](#)