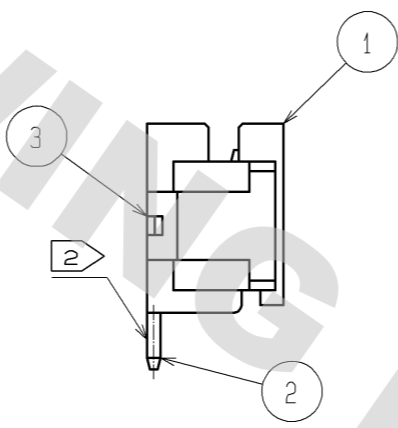
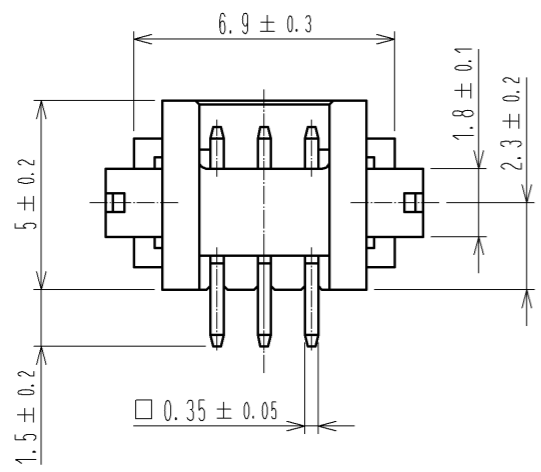
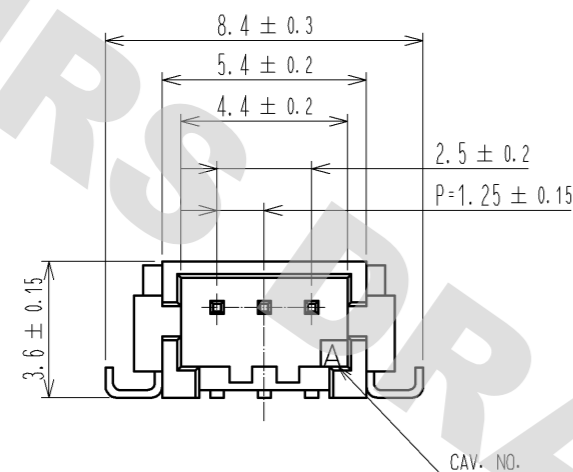
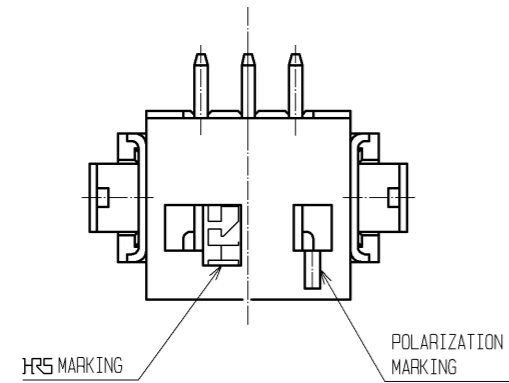
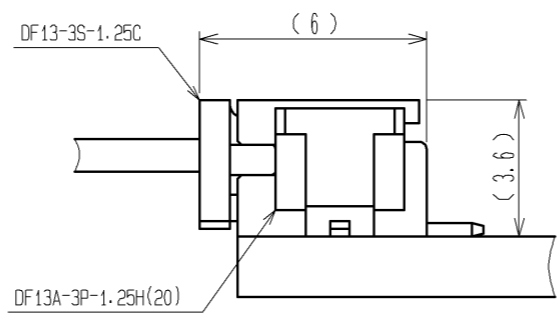


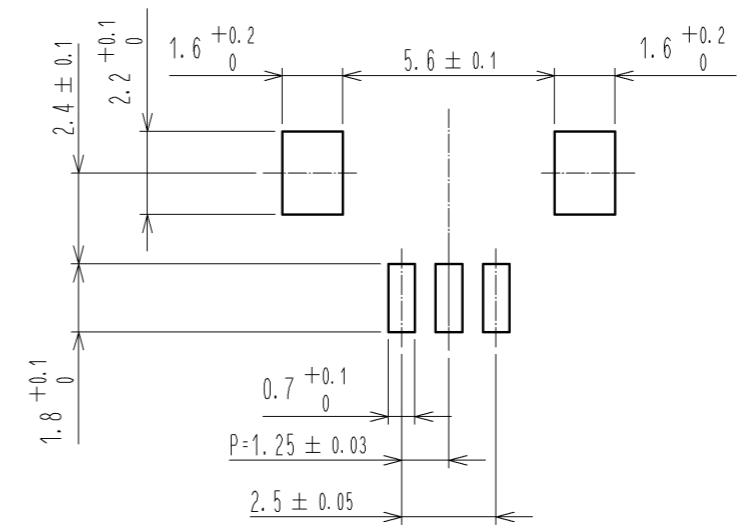
DRAWING FOR REFERENCE: This is subject to change without notice
08/11/2012



APPLICATION DRAWING



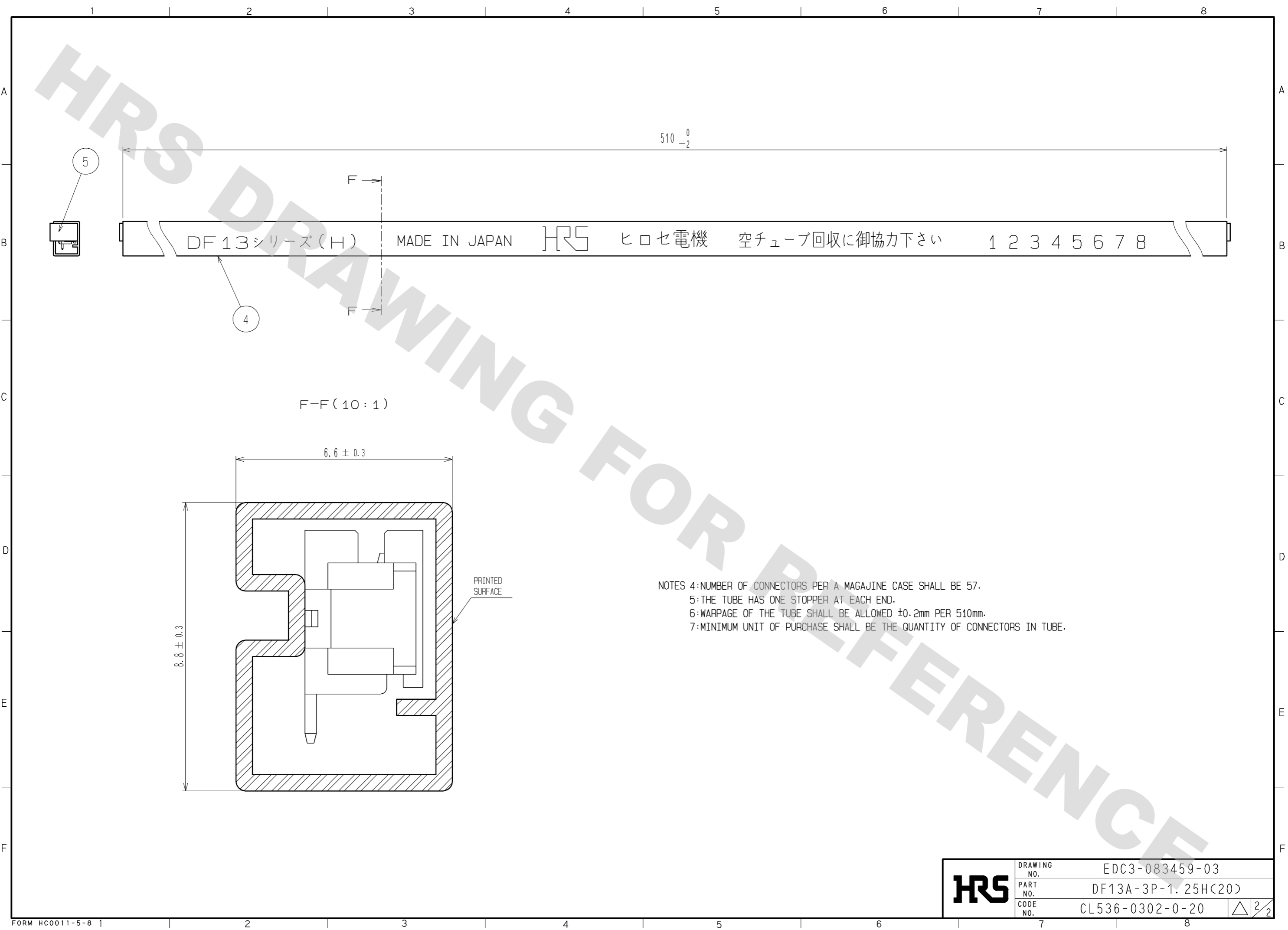
RECOMMENDED PATTERN



- NOTES
- 1 : WHEN THIS CONNECTOR MATES WITH DF13-3S-1.25C, THE MATING LENGTH IS 3.6mm.
 - 2 : FLATNESS OF LEAD WITH REINFORCED METAL FITTINGS SHALL BE WITHIN 0.1mm.
 - 3 : RECOMMENDED THICKNESS OF CREAM SOLDER PASTE: 0.15mm TO 0.2mm
OPEN AREA RATIO: 100%

2	BRASS	SURFACE: TIN PLATED 1μm min UNDER PLATING: COPPER PLATED 1μm min	5	S. PVC	STOPPER, GRAY
			4	R. PVC	ANTI-ELECTRIFICATION, CLEAR, STICK
1	POLYAMIDE	UL94V-0, NATURAL (BEIGE)	3	PHOSPHOR BRONZE	SURFACE: TIN PLATED 1μm min
NO.	MATERIAL	FINISH, REMARKS	NO.	MATERIAL	FINISH, REMARKS
UNITS mm		SCALE 5 : 1	COUNT △	DESCRIPTION OF REVISIONS	
DESIGNED		CHECKED		DATE	
APPROVED : HK. UMEHARA			11.10.03	DRAWING NO. EDC3-083459-03	
CHECKED : HK. UMEHARA			11.10.03	PART NO. DF13A-3P-1.25H(20)	
DESIGNED : HT. SATO			11.10.03	CODE NO. CL536-0302-0-20	
DRAWN : MI. SAKIMURA			11.09.29	△ 1/2	

DRAWING FOR REFERENCE: This is subject to change without notice
08/11/2012



NOTES 4: NUMBER OF CONNECTORS PER A MAGAJINE CASE SHALL BE 57.
5: THE TUBE HAS ONE STOPPER AT EACH END.
6: WARPAGE OF THE TUBE SHALL BE ALLOWED ± 0.2 mm PER 510mm.
7: MINIMUM UNIT OF PURCHASE SHALL BE THE QUANTITY OF CONNECTORS IN TUBE.

HRS	DRAWING NO.	EDC3-083459-03
	PART NO.	DF13A-3P-1.25H(20)
	CODE NO.	CL536-0302-0-20
		\triangle 2/2

X-ON Electronics

Largest Supplier of Electrical and Electronic Components

Click to view similar products for [Headers & Wire Housings](#) category:

Click to view products by [Hirose](#) manufacturer:

Other Similar products are found below :

[892-18-020-10-001101](#) [58102-G61-06LF](#) [582553-1](#) [0009485154](#) [009176003701906](#) [0050291907](#) [LY20-4P-DT1-P1E-BR](#) [02.125.8002.8](#)
[609-3404](#) [61062-3](#) [622-0430](#) [622-3653LF](#) [63453-116](#) [636-1030](#) [636-1427](#) [636-3427](#) [636-4007](#) [641938-9](#) [641991-4](#) [644827-2](#) [65817-010LF](#)
[65817-015LF](#) [65863-015LF](#) [66207-023LF](#) [67095-007LF](#) [67601157](#) [68648-049](#) [70.362.1628.0](#) [70-4210](#) [70-4226B](#) [70-4853B](#) [707-5020](#) [707-](#)
[5028](#) [71.350.2428.0](#) [71918-208LF](#) [71961-016LF](#) [733-134](#) [733-162](#) [754199-000](#) [760-3052](#) [787-8014-00](#) [79531-3000](#) [FCN-360C032-B](#) [FCN-](#)
[367T-T012/H](#) [FCN-723D010/2](#) [80.063.4001.1](#) [800-90-001-10-001000](#) [800-90-010-10-002000](#) [801-43-002-10-013000](#) [801-43-006-10-002000](#)