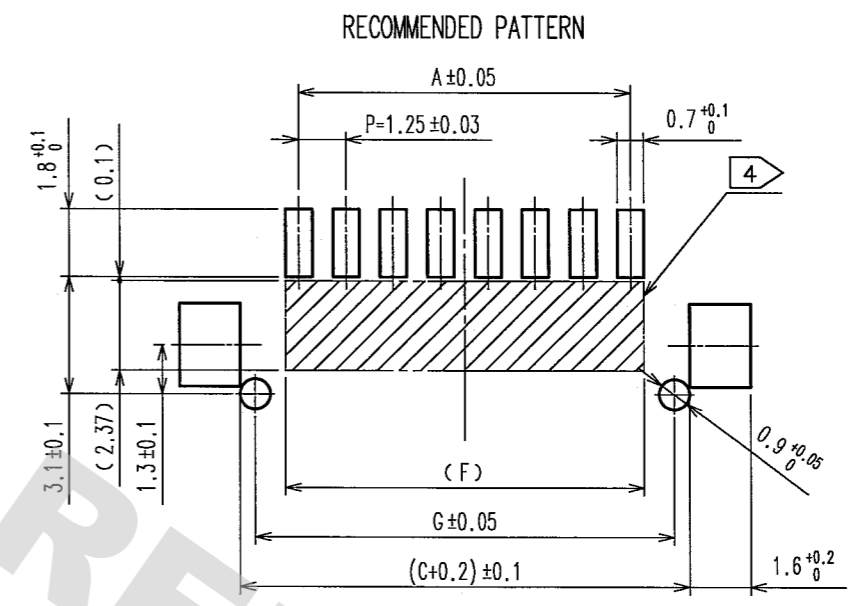
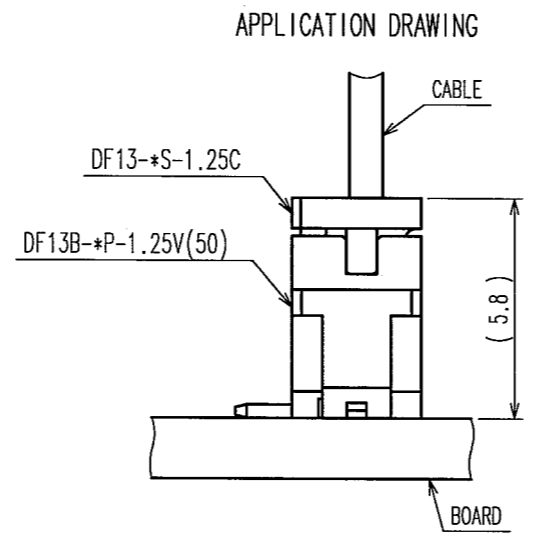
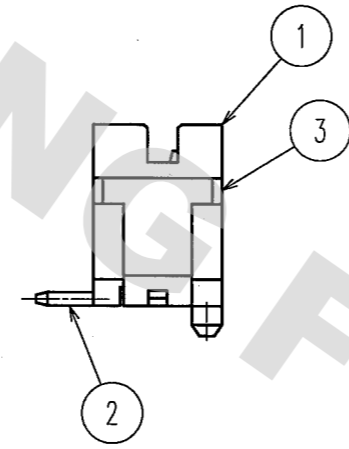
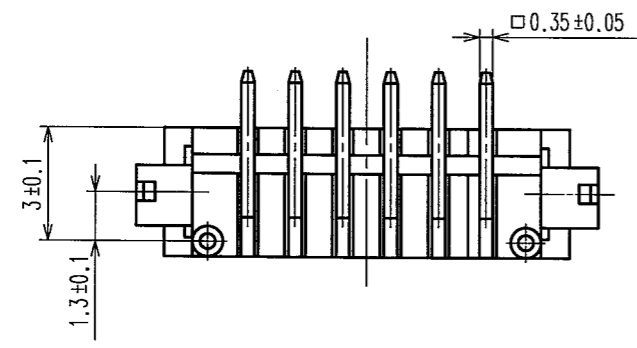
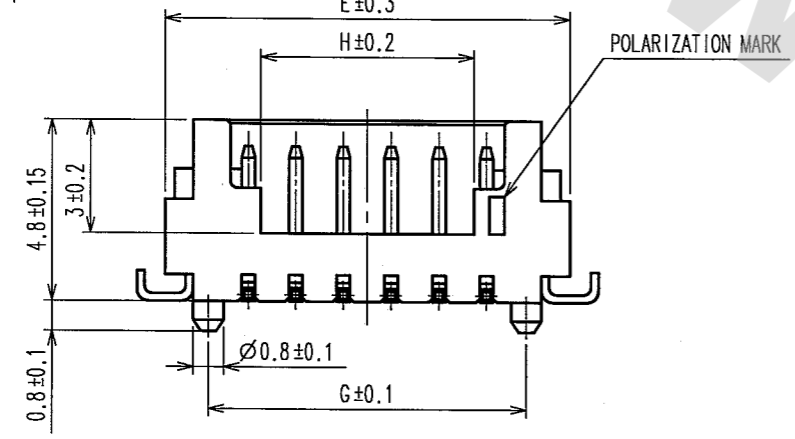
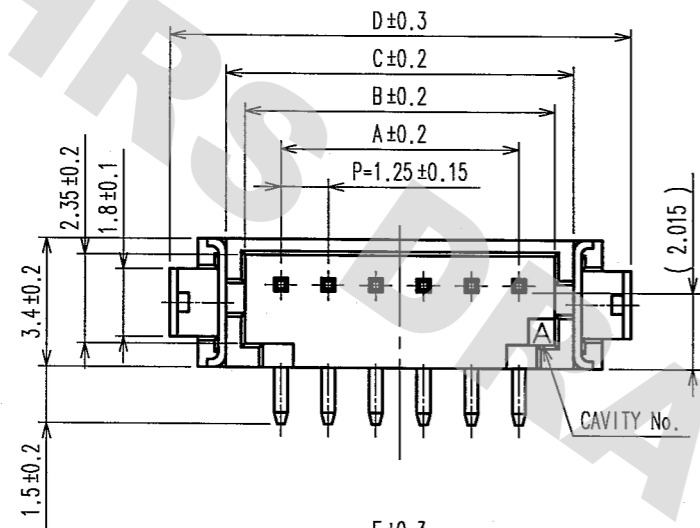


COUNT	DESCRIPTION OF REVISIONS	BY	CHKD	DATE	COUNT	DESCRIPTION OF REVISIONS	BY	CHKD	DATE
3	DIS-H-000962	T.K	H-D	06.05.19					

CODE No.	PART No.	CONTACT	A	B	C	D	E	F	G
CL536-0051-2-50	DF13B- 2P-1.25V(50)	2	1.25	3.15	4.15	7.15	5.65	1.95	2.20
CL536-0052-5-50	DF13B- 3P-1.25V(50)	3	2.50	4.40	5.40	8.40	6.90	3.20	3.45
CL536-0053-8-50	DF13B- 4P-1.25V(50)	4	3.75	5.65	6.65	9.65	8.15	4.45	3.10
CL536-0054-0-50	DF13B- 5P-1.25V(50)	5	5.00	6.90	7.90	10.90	9.40	5.70	4.35
CL536-0055-3-50	DF13B- 6P-1.25V(50)	6	6.25	8.15	9.15	12.15	10.65	6.95	5.60
CL536-0056-6-50	DF13B- 7P-1.25V(50)	7	7.50	9.40	10.40	13.40	11.90	8.20	6.85
CL536-0057-9-50	DF13B- 8P-1.25V(50)	8	8.75	10.65	11.65	14.65	13.15	9.45	8.10
CL536-0058-1-50	DF13B- 9P-1.25V(50)	9	10.00	11.90	12.90	15.90	14.40	10.70	9.35
CL536-0059-4-50	DF13B-10P-1.25V(50)	10	11.25	13.15	14.15	17.15	15.65	11.95	10.60
CL536-0060-3-50	DF13B-11P-1.25V(50)	11	12.50	14.40	15.40	18.40	16.90	13.20	11.85
CL536-0061-6-50	DF13B-12P-1.25V(50)	12	13.75	15.65	16.65	19.65	18.15	14.45	13.10
CL536-0063-1-50	DF13B-14P-1.25V(50)	14	16.25	18.15	19.15	22.15	20.65	16.95	15.60
CL536-0064-4-50	DF13B-15P-1.25V(50)	15	17.50	19.40	20.40	23.40	21.90	18.20	16.85



- NOTES
- 1 WHEN THIS CONNECTOR MATES WITH DF13-*S-1.25C, THE MATING HEIGHT IS 5.8mm.
 - 2 WHEN THIS CONNECTOR HAS TWO OR THREE CONTACTS, THE LOCK SHALL BE SET AT THE CENTER OF HOUSING. IF MORE THAN FOUR, THE TWO LOCKS SHALL BE SET AS SHOWN ON THIS DRAWING.
 - 3 LEAD CO-PLANARITY INCLUDING REINFORCED METAL FITTINGS SHALL BE WITHIN 0.1mm. AREA TO PICK AND PLACE.
 - 4 PROHIBITED AREA OF PATTERN WITHOUT RESIST COATING.

2	BRASS	SURFACE:Gold 0.2μ m min. UNDER PLATING:Nickel 0.5μ m min.	5	S.PVC	GRAY, STOPPER
1	POLYAMIDE	UL94V-0, BEIGE	4	R.PVC	ANTI-ELECTRIFICATION, CLEAR, STICK
			3	PHOSPHOR BRONZE	SURFACE:Tin 1μ m min.
NO.	MATERIAL	FINISH, REMARKS	NO.	MATERIAL	FINISH, REMARKS

CODE NO. (OLD)	DRAWN	DESIGNED	CHECKED	APPROVED	RELEASED
	T.Fukushima	T.Kumazawa	H.Umehara	T.Oma	
	'06.02.03	'06.02.04	'06.02.04	'06.02.06	

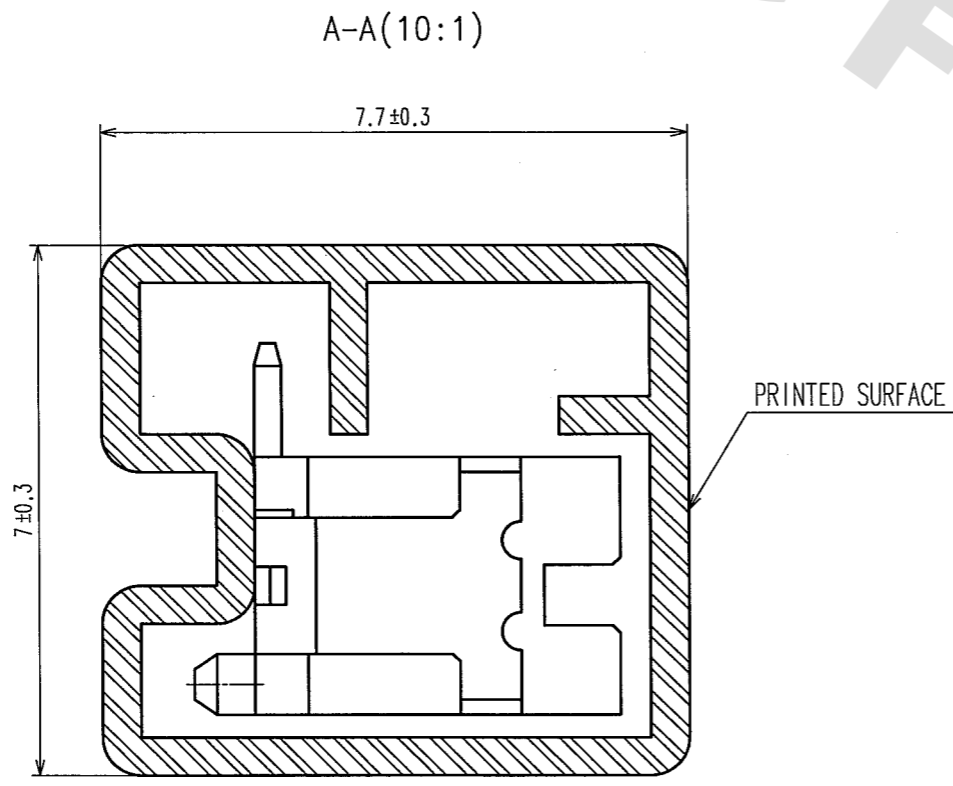
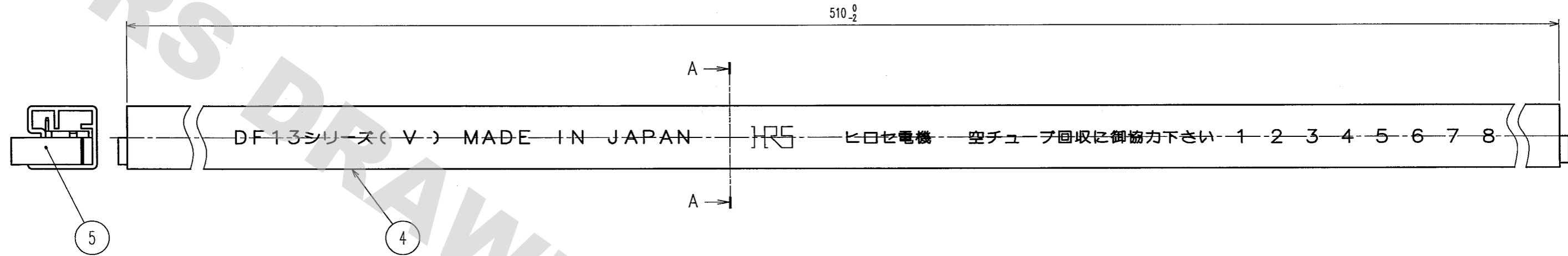
SCALE	5 : 1	DRAWING NO.	EDC3-083670-01	PART NO.	DF13B-*P-1.25V(50)
UNITS	mm	CODE NO.	CL536-		1/2

DRAWING FOR REFERENCE: This is subject to change without notice
08/11/2012

TO

1 2 3 4 5 6 7 8

COUNT	DESCRIPTION OF REVISIONS	BY	CHKD	DATE	COUNT	DESCRIPTION OF REVISIONS	BY	CHKD	DATE
△				..	△				..
△				..	△				..
△				..	△				..



CODE No.	PART No.	PACKING AMOUNT
CL536-0051-2-50	DF13B- 2P-1.25V(50)	67
CL536-0052-5-50	DF13B- 3P-1.25V(50)	57
CL536-0053-8-50	DF13B- 4P-1.25V(50)	49
CL536-0054-0-50	DF13B- 5P-1.25V(50)	44
CL536-0055-3-50	DF13B- 6P-1.25V(50)	39
CL536-0056-6-50	DF13B- 7P-1.25V(50)	36
CL536-0057-9-50	DF13B- 8P-1.25V(50)	33
CL536-0058-1-50	DF13B- 9P-1.25V(50)	30
CL536-0059-4-50	DF13B-10P-1.25V(50)	28
CL536-0060-3-50	DF13B-11P-1.25V(50)	26
CL536-0061-6-50	DF13B-12P-1.25V(50)	24
CL536-0063-1-50	DF13B-14P-1.25V(50)	21
CL536-0064-4-50	DF13B-15P-1.25V(50)	20

NOTES 5 :MAGAZINE CASE HAS ONE STOPPER AT EACH END.
 6 :WARPAGE, BENT OF THE MAGAZINE CASE SHALL BE ALLOWED ±2mm PER 510mm.
 7 :THESE CONNECTORS SHALL BE ON SALED IN ACCORDANCE WITH THE MULTIPLE QUANTITY OF PACKING AMOUNT.

CODE NO. (OLD)	DRAWN	DESIGNED	CHECKED	APPROVED	RELEASED
	T. Fukushima	T. Kumazawa	H. Umehara	T. Oma	
	'06.02.03	'06.02.04	'06.02.04	'06.02.06	..
SCALE FREE	DRAWING NO. EDC3-083670-01		PART NO. DF13B-*P-1.25V(50)		
UNITS mm	HRS HIROSE ELECTRIC CO., LTD		CODE NO. CL536-		2

DRAWING FOR REFERENCE: This is subject to change without notice
08/11/2012

TO

1 2 3 4 5 6 7 8 FORM NO. 229

X-ON Electronics

Largest Supplier of Electrical and Electronic Components

Click to view similar products for [Headers & Wire Housings](#) category:

Click to view products by [Hirose](#) manufacturer:

Other Similar products are found below :

[892-18-020-10-001101](#) [58102-G61-06LF](#) [582553-1](#) [0009485154](#) [009176003701906](#) [0050291907](#) [LY20-4P-DT1-P1E-BR](#) [02.125.8002.8](#)
[609-3404](#) [61062-3](#) [622-0430](#) [622-3653LF](#) [63453-116](#) [636-1030](#) [636-1427](#) [636-3427](#) [636-4007](#) [641938-9](#) [641991-4](#) [644827-2](#) [65817-010LF](#)
[65817-015LF](#) [65863-015LF](#) [66207-023LF](#) [67095-007LF](#) [67601157](#) [68648-049](#) [70.362.1628.0](#) [70-4210](#) [70-4226B](#) [70-4853B](#) [707-5020](#) [707-5028](#) [71.350.2428.0](#) [71918-208LF](#) [71961-016LF](#) [733-134](#) [733-162](#) [754199-000](#) [760-3052](#) [787-8014-00](#) [79531-3000](#) [FCN-360C032-B](#) [FCN-367T-T012/H](#) [FCN-723D010/2](#) [80.063.4001.1](#) [800-90-001-10-001000](#) [800-90-010-10-002000](#) [801-43-002-10-013000](#) [801-43-006-10-002000](#)