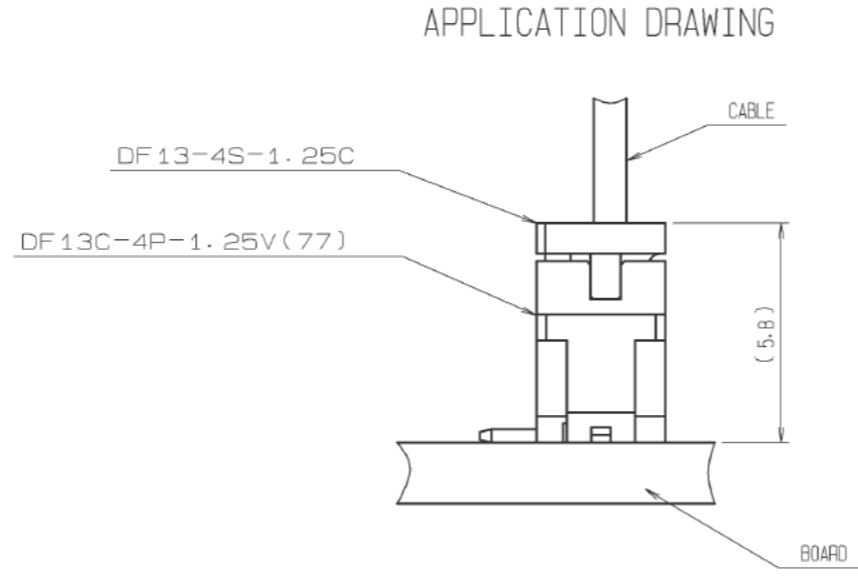
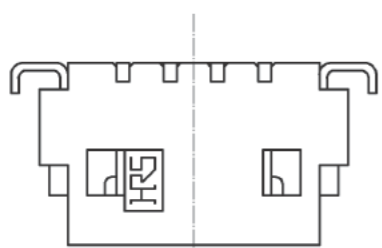
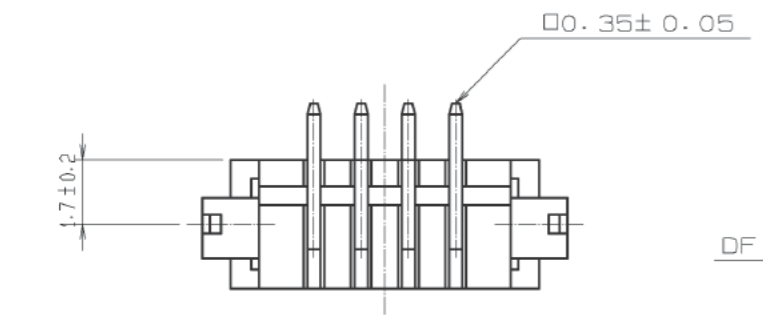
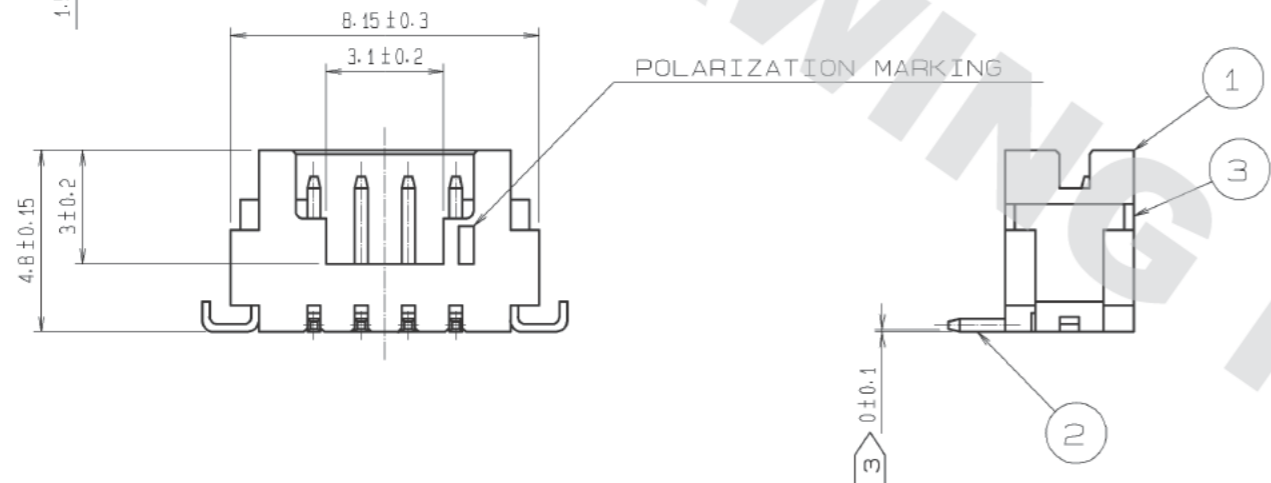
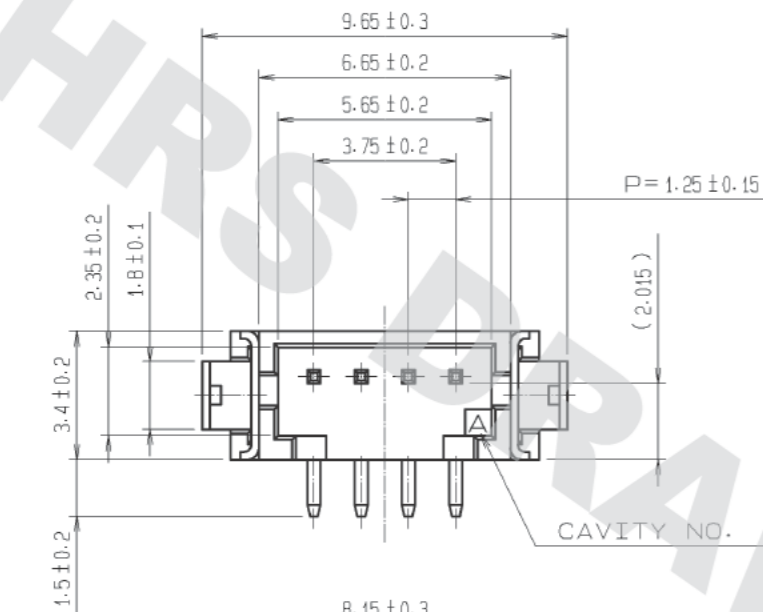
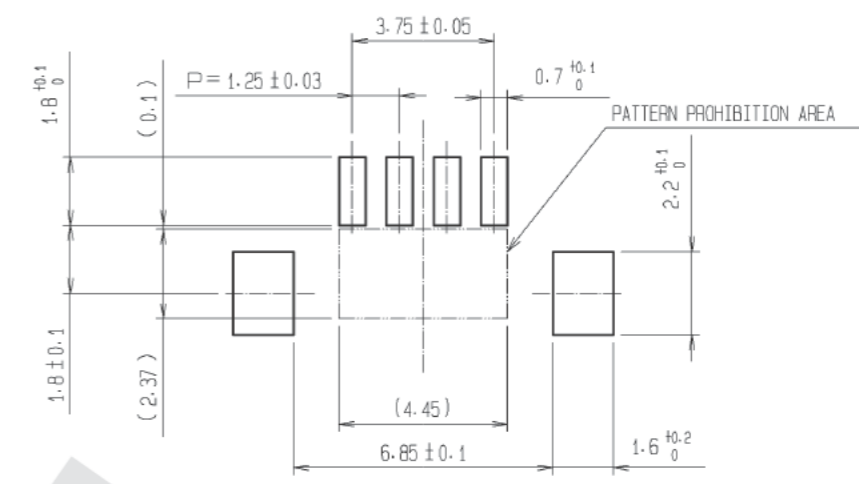


DRAWING FOR REFERENCE: This is subject to change without notice
05/31/2014



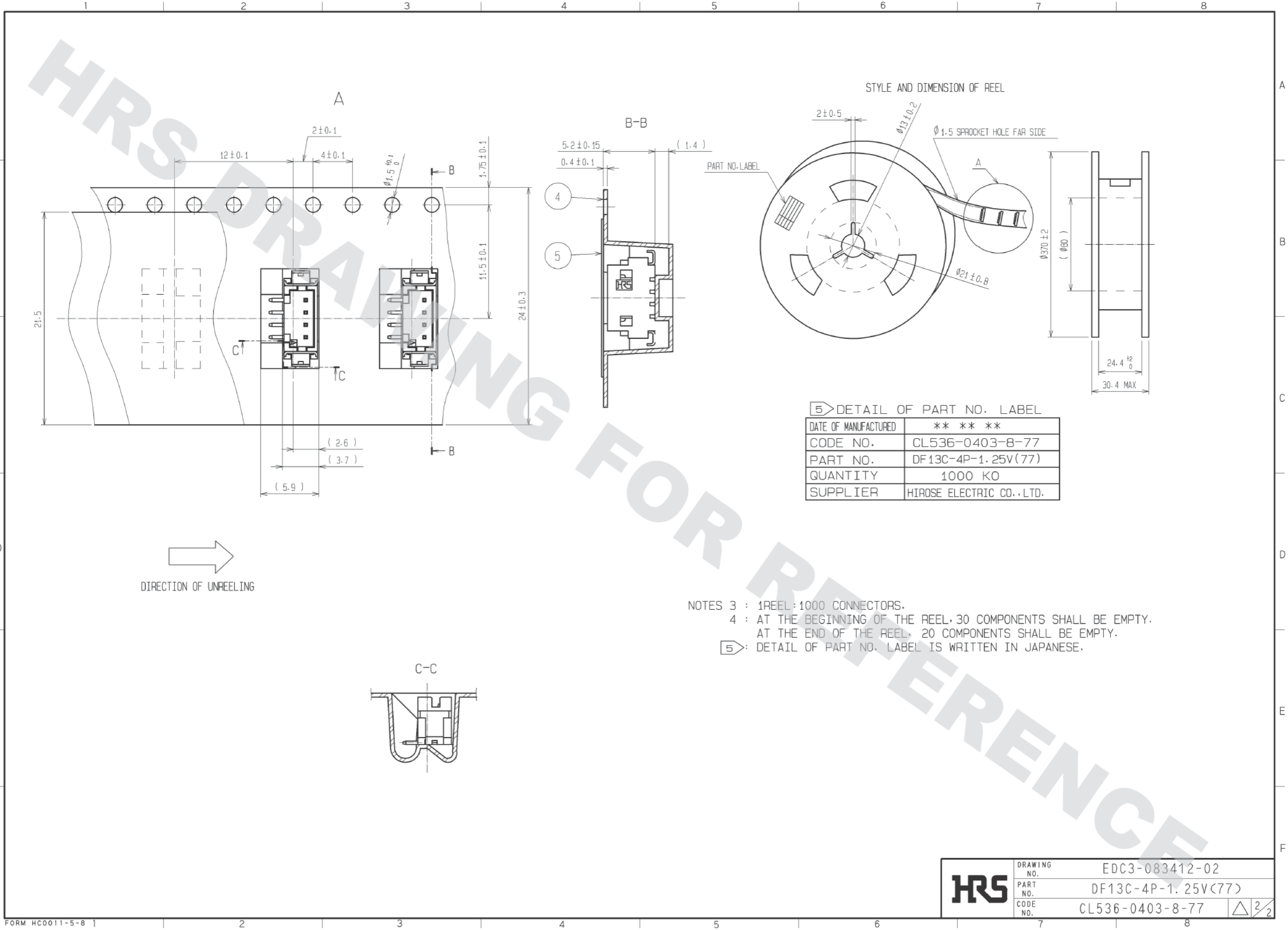
RECOMENDED PATTERN




NOTE1: WHEN THIS CONNECTOR MATES WITH DF13-4S-1.25C, THE MATING HEIGHT IS 5.8mm
 ②: LEAD CO-PLANALITY INCLUDE REINFORCED METAL FITTINGS SHALL BE 0.1mm MAX.

2	BRASS	SURFACE PLATING : GOLD PLATING 0.76µm min. UNDER PLATING : NICKEL PLATING 0.5µm min.	5	POLYESTER	CLEAR(COVER TAPE)
1	POLYAMIDE	UL94-V0	4	PS	CLEAR(EMBOSSED CARRIER TAPE)
			3	PHOSPHOR BRONZE	SURFACE PLATING : TIN PLATING 1µm min.
NO.	MATERIAL	FINISH . REMARKS	NO.	MATERIAL	FINISH . REMARKS
UNITS mm		SCALE 5 : 1	COUNT 	DESCRIPTION OF REVISIONS	
DESIGNED		CHECKED		DATE	
APPROVED : KI. AKIYAMA		14.04.04		DRAWING NO. EDC3-083412-02	
CHECKED : TS. FUKUSHIMA		14.04.04		PART NO. DF13C-4P-1.25V(77)	
DESIGNED : ST. SATO		14.04.04		CODE NO. CL536-0403-8-77	
DRAWN : ST. SATO		14.04.04		1/2	

DRAWING FOR REFERENCE: This is subject to change without notice
05/31/2014




 DIRECTION OF UNREELING

5> DETAIL OF PART NO. LABEL

DATE OF MANUFACTURED	** ** *
CODE NO.	CL536-0403-8-77
PART NO.	DF13C-4P-1.25V(77)
QUANTITY	1000 KO
SUPPLIER	HIROSE ELECTRIC CO., LTD.

NOTES 3 : 1 REEL : 1000 CONNECTORS.
 4 : AT THE BEGINNING OF THE REEL, 30 COMPONENTS SHALL BE EMPTY.
 AT THE END OF THE REEL, 20 COMPONENTS SHALL BE EMPTY.
 5> : DETAIL OF PART NO. LABEL IS WRITTEN IN JAPANESE.

HRS	DRAWING NO.	EDC3-083412-02
	PART NO.	DF13C-4P-1.25V(77)
	CODE NO.	CL536-0403-8-77
		\triangle 2/2

X-ON Electronics

Largest Supplier of Electrical and Electronic Components

Click to view similar products for [Headers & Wire Housings](#) category:

Click to view products by [Hirose](#) manufacturer:

Other Similar products are found below :

[892-18-020-10-001101](#) [58102-G61-06LF](#) [582553-1](#) [0009485154](#) [009176003701906](#) [0050291907](#) [LY20-4P-DT1-P1E-BR](#) [02.125.8002.8](#)
[609-3404](#) [61062-3](#) [622-0430](#) [622-3653LF](#) [63453-116](#) [636-1030](#) [636-1427](#) [636-3427](#) [636-4007](#) [641938-9](#) [641991-4](#) [644827-2](#) [65817-010LF](#)
[65817-015LF](#) [65863-015LF](#) [66207-023LF](#) [67095-007LF](#) [67601157](#) [68648-049](#) [70.362.1628.0](#) [70-4210](#) [70-4226B](#) [70-4853B](#) [707-5020](#) [707-](#)
[5028](#) [71.350.2428.0](#) [71918-208LF](#) [71961-016LF](#) [733-134](#) [733-162](#) [754199-000](#) [760-3052](#) [787-8014-00](#) [79531-3000](#) [FCN-360C032-B](#) [FCN-](#)
[367T-T012/H](#) [FCN-723D010/2](#) [80.063.4001.1](#) [800-90-001-10-001000](#) [800-90-010-10-002000](#) [801-43-002-10-013000](#) [801-43-006-10-002000](#)