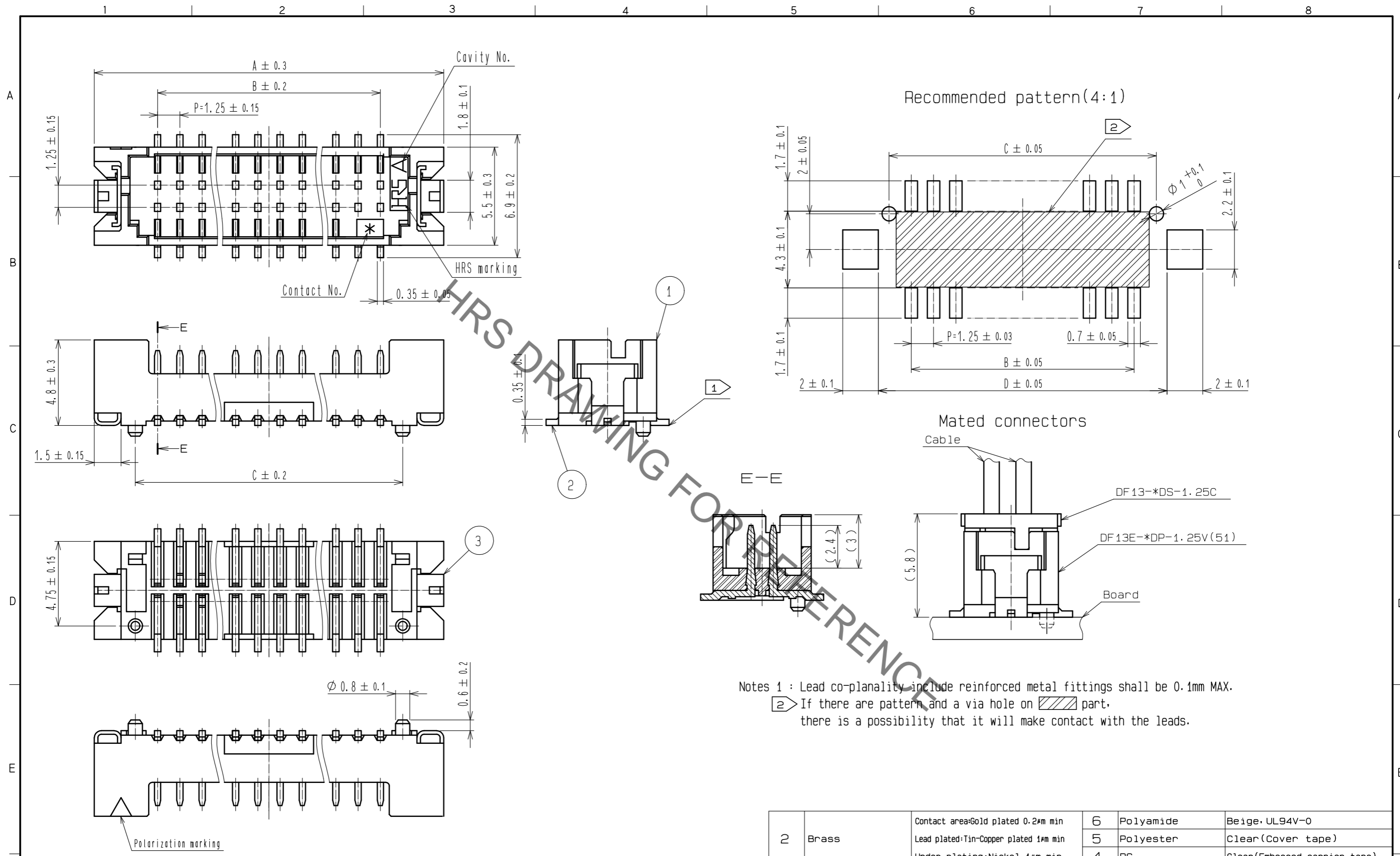


Oct.1.2019 Copyright 2019 HIROSE ELECTRIC CO., LTD. All Rights Reserved.
In case of consideration for using Automotive equipment / device which demand high reliability, kindly contact our sales window correspondents.



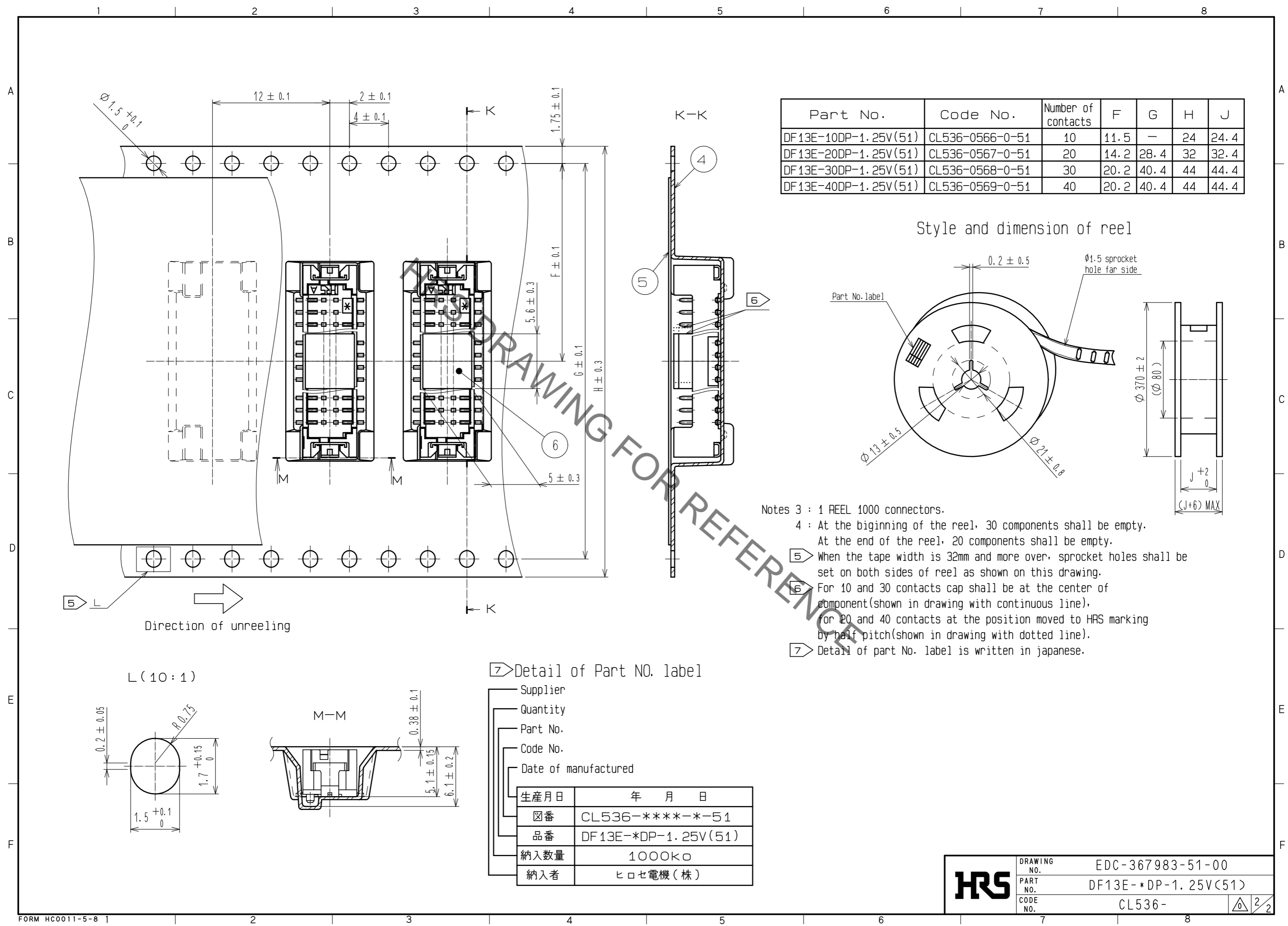
Notes 1 : Lead co-planality include reinforced metal fittings shall be 0.1mm MAX.
 2 If there are pattern and a via hole on part, there is a possibility that it will make contact with the leads.

| Part No. | Number of Contacts | Code No. | A | B | C | D |
|----------------------|--------------------|-----------------|-------|-------|-------|-------|
| DF13E-10DP-1.25V(51) | 10 | CL536-0566-0-51 | 12.10 | 5.00 | 7.50 | 8.70 |
| DF13E-20DP-1.25V(51) | 20 | CL536-0567-0-51 | 18.35 | 11.25 | 13.75 | 14.95 |
| DF13E-30DP-1.25V(51) | 30 | CL536-0568-0-51 | 24.60 | 17.50 | 20.00 | 21.20 |
| DF13E-40DP-1.25V(51) | 40 | CL536-0569-0-51 | 30.85 | 23.75 | 26.25 | 27.45 |

| NO. | MATERIAL | FINISH . REMARKS | NO. | MATERIAL | FINISH . REMARKS |
|-----|-----------|---|-----|-----------------|------------------------------|
| 2 | Brass | Contact area:Gold plated 0.2μm min Lead plated:Tin-Copper plated 1μm min Under plating:Nickel 1μm min | 6 | Polyamide | Beige,UL94V-0 |
| 1 | Polyamide | Beige,UL94V-0 | 5 | Polyester | Clear(Cover tape) |
| | | | 4 | PS | Clear(Embossed carrier tape) |
| | | | 3 | Phosphor bronze | Tin plated 1μm min |

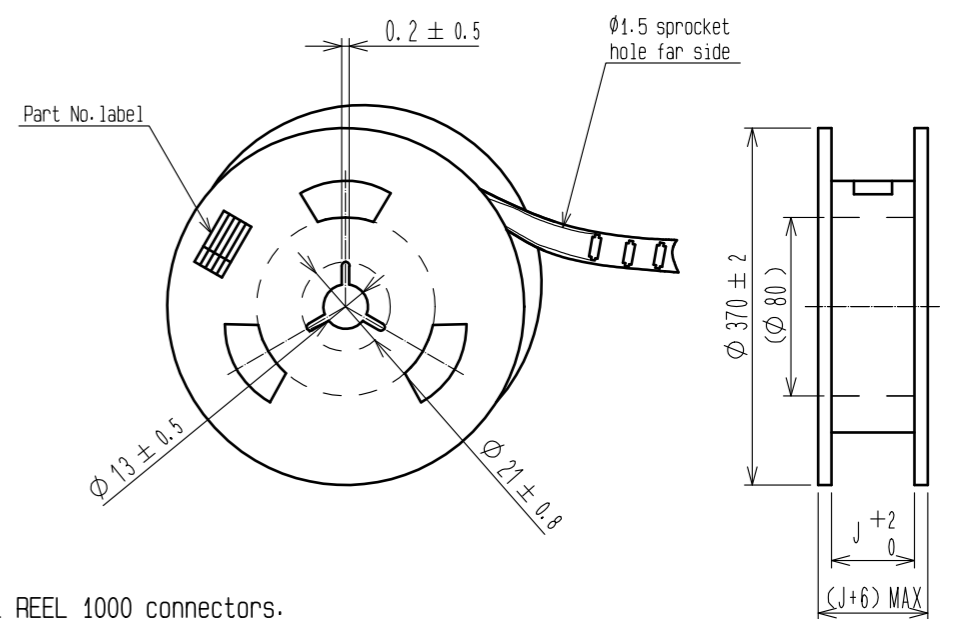
| UNITS | SCALE | COUNT | DESCRIPTION OF REVISIONS | DESIGNED | CHECKED | DATE |
|---------------------------|-------|-------|---|---|---------|------|
| mm | 5 : 1 | △ | | | | |
| HIROSE ELECTRIC CO., LTD. | | | APPROVED : KI. AKIYAMA 16.01.21 CHECKED : TS. FUKUSHIMA 16.01.21 DESIGNED : YK. YAMAGUCHI 16.01.21 DRAWN : MI. SAKIMURA 16.01.21 | DRAWING NO. EDC-367983-51-00 PART NO. DF13E-*DP-1.25V(51) CODE NO. CL536- | | |

Oct.1.2019 Copyright 2019 HIROSE ELECTRIC CO., LTD. All Rights Reserved.
 In case of consideration for using Automotive equipment / device which demand high reliability, kindly contact our sales window correspondents.



| Part No. | Code No. | Number of contacts | F | G | H | J |
|----------------------|-----------------|--------------------|------|------|----|------|
| DF13E-10DP-1.25V(51) | CL536-0566-0-51 | 10 | 11.5 | — | 24 | 24.4 |
| DF13E-20DP-1.25V(51) | CL536-0567-0-51 | 20 | 14.2 | 28.4 | 32 | 32.4 |
| DF13E-30DP-1.25V(51) | CL536-0568-0-51 | 30 | 20.2 | 40.4 | 44 | 44.4 |
| DF13E-40DP-1.25V(51) | CL536-0569-0-51 | 40 | 20.2 | 40.4 | 44 | 44.4 |

Style and dimension of reel



- Notes 3 : 1 REEL 1000 connectors.
 4 : At the beginning of the reel, 30 components shall be empty.
 At the end of the reel, 20 components shall be empty.
 5 : When the tape width is 32mm and more over, sprocket holes shall be set on both sides of reel as shown on this drawing.
 6 : For 10 and 30 contacts cap shall be at the center of component (shown in drawing with continuous line),
 for 20 and 40 contacts at the position moved to HRS marking by half pitch (shown in drawing with dotted line).
 7 : Detail of part No. label is written in Japanese.

7 Detail of Part NO. label

| | |
|----------------------|---------------------|
| Supplier | |
| Quantity | |
| Part No. | |
| Code No. | |
| Date of manufactured | |
| 生産月日 | 年 月 日 |
| 図番 | CL536-****-*-51 |
| 品番 | DF13E-*DP-1.25V(51) |
| 納入数量 | 1000k \square |
| 納入者 | ヒロセ電機(株) |

| | | |
|------------|-------------|---------------------|
| HRS | DRAWING NO. | EDC-367983-51-00 |
| | PART NO. | DF13E-*DP-1.25V(51) |
| | CODE NO. | CL536- |
| | | \triangle 2/2 |

X-ON Electronics

Largest Supplier of Electrical and Electronic Components

Click to view similar products for [Headers & Wire Housings](#) category:

Click to view products by [Hirose](#) manufacturer:

Other Similar products are found below :

[892-18-020-10-001101](#) [58102-G61-06LF](#) [582553-1](#) [0009485154](#) [009176003701906](#) [0050291907](#) [LY20-4P-DT1-P1E-BR](#) [02.125.8002.8](#)
[609-3404](#) [61062-3](#) [622-0430](#) [622-3653LF](#) [63453-116](#) [636-1030](#) [636-1427](#) [636-3427](#) [636-4007](#) [641938-9](#) [641991-4](#) [644827-2](#) [65817-010LF](#)
[65817-015LF](#) [65863-015LF](#) [66207-023LF](#) [67095-007LF](#) [67601157](#) [68648-049](#) [70.362.1628.0](#) [70-4210](#) [70-4226B](#) [70-4853B](#) [707-5020](#) [707-5028](#) [71.350.2428.0](#) [71918-208LF](#) [71961-016LF](#) [733-134](#) [733-162](#) [754199-000](#) [760-3052](#) [787-8014-00](#) [79531-3000](#) [FCN-360C032-B](#) [FCN-367T-T012/H](#) [FCN-723D010/2](#) [80.063.4001.1](#) [800-90-001-10-001000](#) [800-90-010-10-002000](#) [801-43-002-10-013000](#) [801-43-006-10-002000](#)