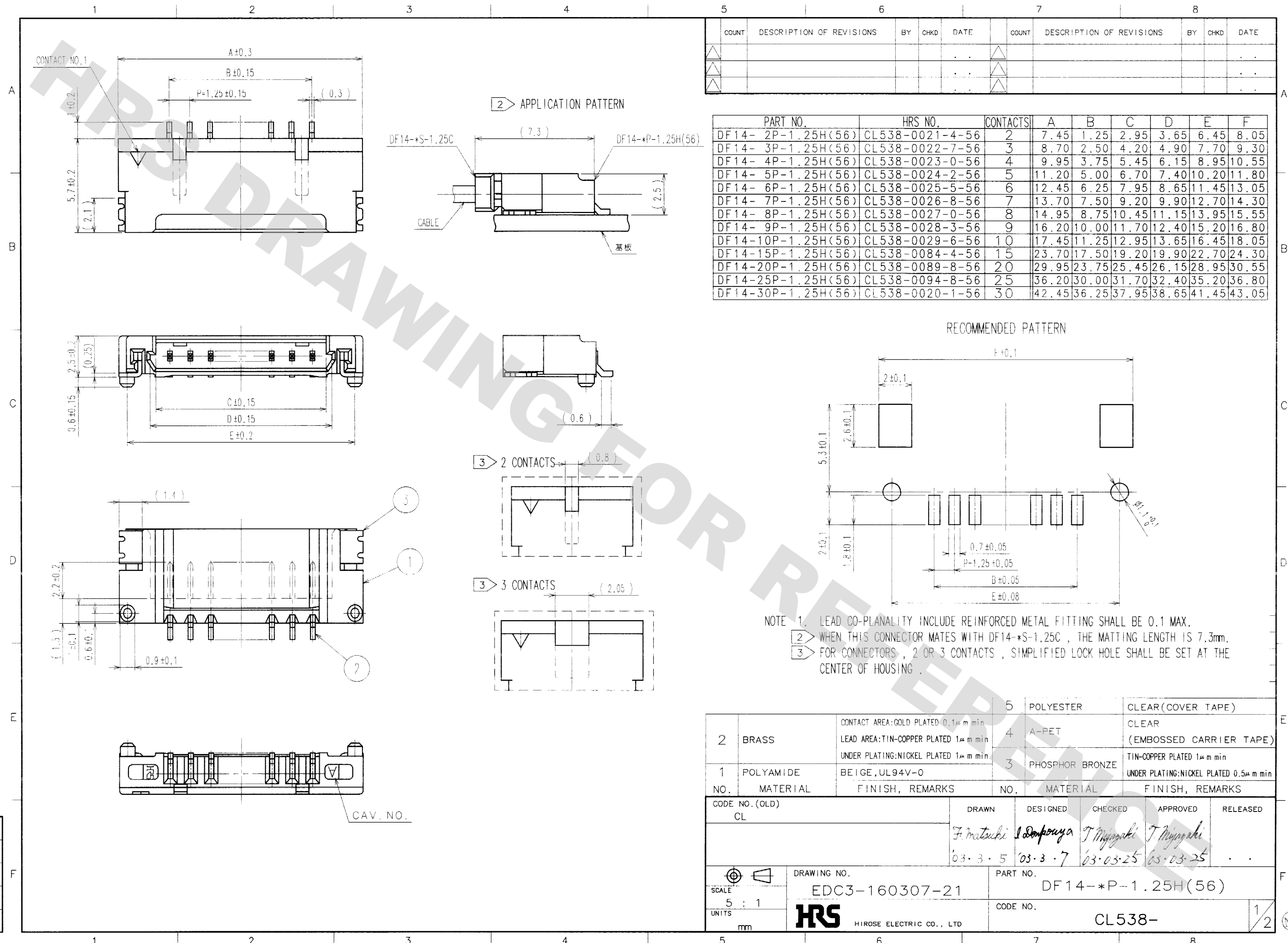


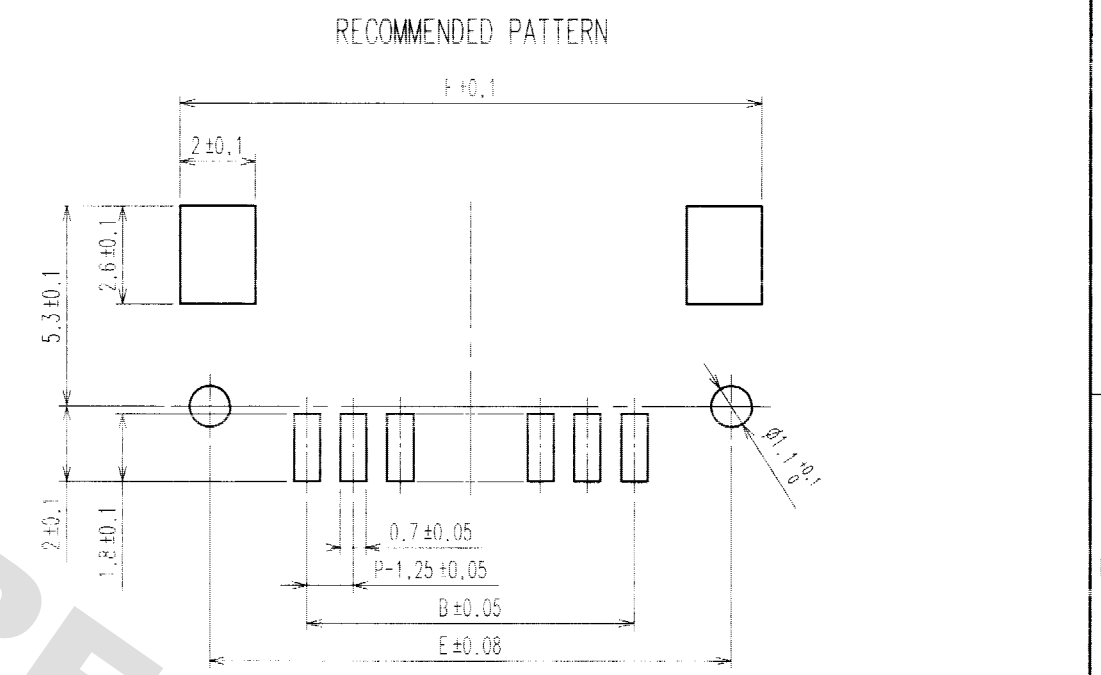
DRAWING FOR REFERENCE: This is subject to change without notice
08/11/2012

TO



COUNT	DESCRIPTION OF REVISIONS	BY	CHKD	DATE	COUNT	DESCRIPTION OF REVISIONS	BY	CHKD	DATE

PART NO.	HRS NO.	CONTACTS	A	B	C	D	E	F
DF14- 2P-1.25H(56)	CL538-0021-4-56	2	7.45	1.25	2.95	3.65	6.45	8.05
DF14- 3P-1.25H(56)	CL538-0022-7-56	3	8.70	2.50	4.20	4.90	7.70	9.30
DF14- 4P-1.25H(56)	CL538-0023-0-56	4	9.95	3.75	5.45	6.15	8.95	10.55
DF14- 5P-1.25H(56)	CL538-0024-2-56	5	11.20	5.00	6.70	7.40	10.20	11.80
DF14- 6P-1.25H(56)	CL538-0025-5-56	6	12.45	6.25	7.95	8.65	11.45	13.05
DF14- 7P-1.25H(56)	CL538-0026-8-56	7	13.70	7.50	9.20	9.90	12.70	14.30
DF14- 8P-1.25H(56)	CL538-0027-0-56	8	14.95	8.75	10.45	11.15	13.95	15.55
DF14- 9P-1.25H(56)	CL538-0028-3-56	9	16.20	10.00	11.70	12.40	15.20	16.80
DF14-10P-1.25H(56)	CL538-0029-6-56	10	17.45	11.25	12.95	13.65	16.45	18.05
DF14-15P-1.25H(56)	CL538-0084-4-56	15	23.70	17.50	19.20	19.90	22.70	24.30
DF14-20P-1.25H(56)	CL538-0089-8-56	20	29.95	23.75	25.45	26.15	28.95	30.55
DF14-25P-1.25H(56)	CL538-0094-8-56	25	36.20	30.00	31.70	32.40	35.20	36.80
DF14-30P-1.25H(56)	CL538-0020-1-56	30	42.45	36.25	37.95	38.65	41.45	43.05



NOTE 1. LEAD CO-PLANALITY INCLUDE REINFORCED METAL FITTING SHALL BE 0.1 MAX.
 2. WHEN THIS CONNECTOR MATES WITH DF14-*S-1.25C, THE MATING LENGTH IS 7.3mm.
 3. FOR CONNECTORS, 2 OR 3 CONTACTS, SIMPLIFIED LOCK HOLE SHALL BE SET AT THE CENTER OF HOUSING.

2	BRASS	CONTACT AREA:GOLD PLATED 0.1μm min LEAD AREA:TIN-COPPER PLATED 1μm min UNDER PLATING:NICKEL PLATED 1μm min	5	POLYESTER	CLEAR(COVER TAPE)
1	POLYAMIDE	BEIGE, UL94V-0	4	A-PET	CLEAR (EMBOSSED CARRIER TAPE)
NO.	MATERIAL	FINISH, REMARKS	NO.	MATERIAL	FINISH, REMARKS
			3	PHOSPHOR BRONZE	TIN-COPPER PLATED 1μm min UNDER PLATING:NICKEL PLATED 0.5μm min

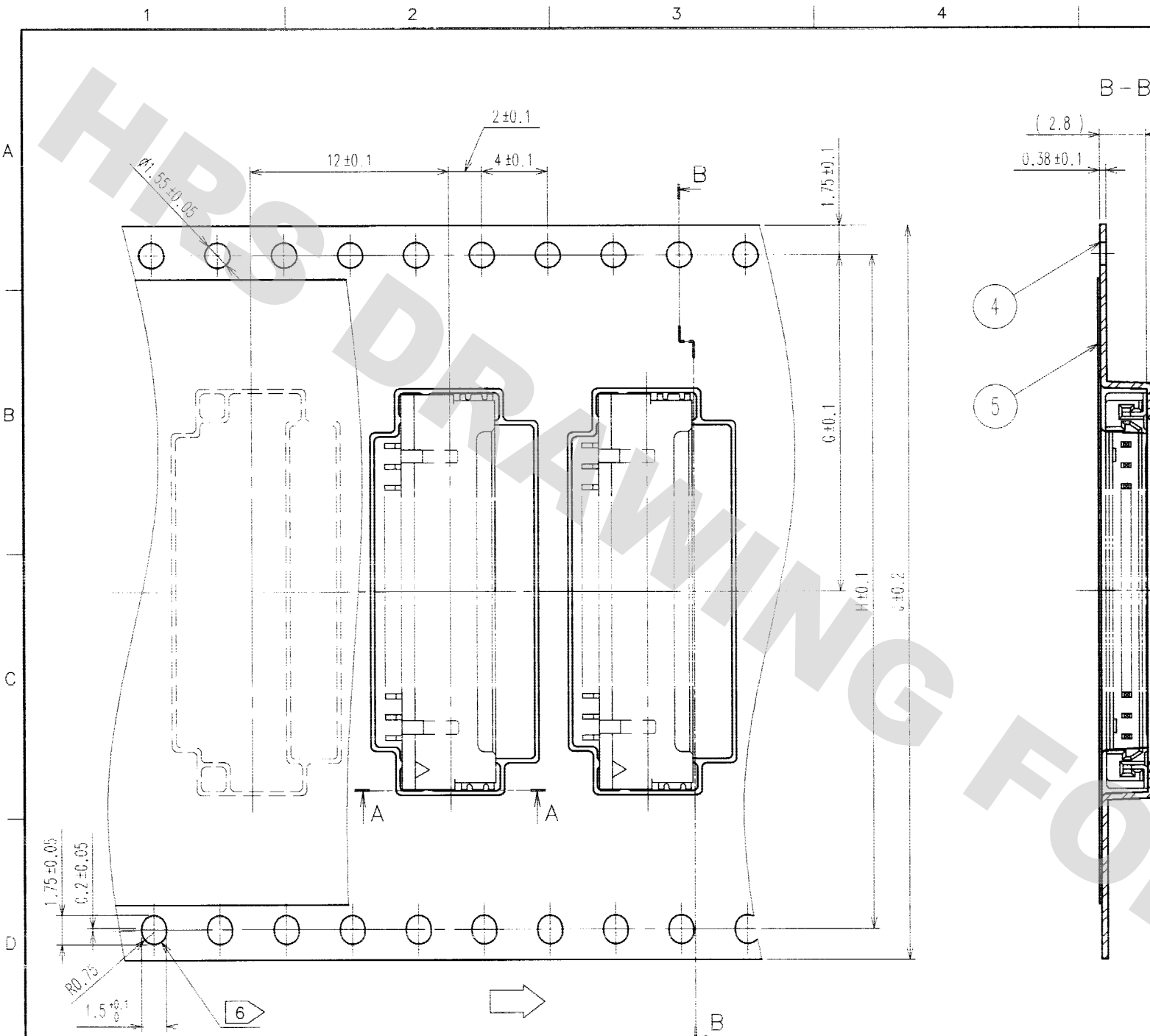
CODE NO.(OLD)	DRAWN	DESIGNED	CHECKED	APPROVED	RELEASED
CL	F. Matsuki	I. Tomiyasu	T. Miyazaki	T. Miyazaki	
	03.3.5	03.3.7	03.03.25	03.03.25	

SCALE	DRAWING NO.	PART NO.
5 : 1	EDC3-160307-21	DF14-*P-1.25H(56)
UNITS	HRS	CODE NO.
mm	HIROSE ELECTRIC CO., LTD	CL538-

1/2 (NC)

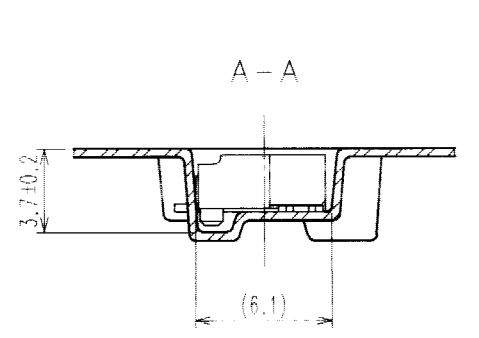
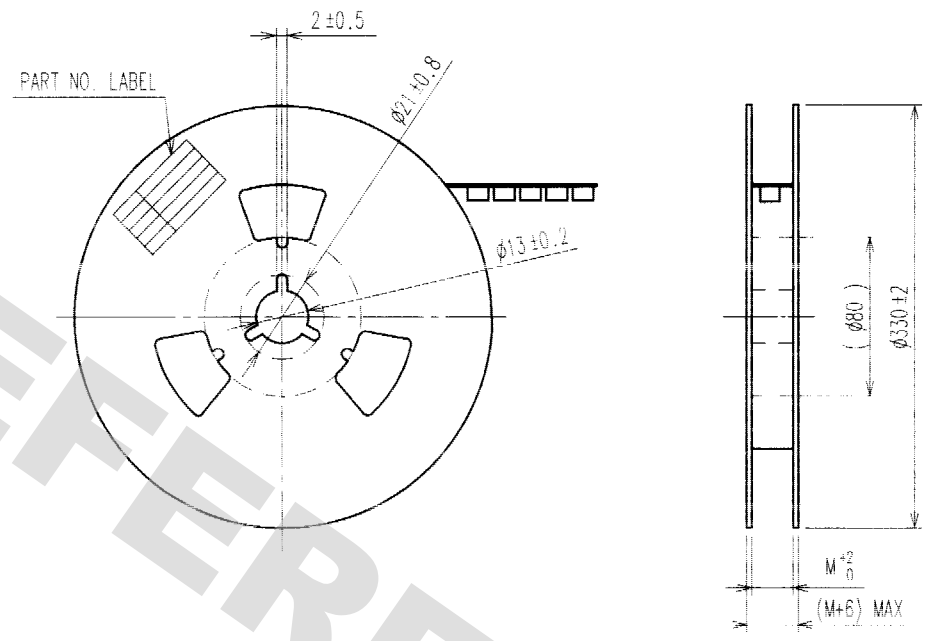
DRAWING FOR REFERENCE: This is subject to change without notice
08/11/2012

COUNT	DESCRIPTION OF REVISIONS	BY	CHKD	DATE	COUNT	DESCRIPTION OF REVISIONS	BY	CHKD	DATE



PART NO.	CONTACTS	G	H	J	K	M
DF14- 2P-1.25H(56)	2	7.5	-	16	7.85	16.4
DF14- 3P-1.25H(56)	3	7.5	-	16	9.1	16.4
DF14- 4P-1.25H(56)	4	11.5	-	24	10.35	24.4
DF14- 5P-1.25H(56)	5	11.5	-	24	11.6	24.4
DF14- 6P-1.25H(56)	6	11.5	-	24	12.85	24.4
DF14- 7P-1.25H(56)	7	11.5	-	24	14.1	24.4
DF14- 8P-1.25H(56)	8	11.5	-	24	15.35	24.4
DF14- 9P-1.25H(56)	9	11.5	-	24	16.6	24.4
DF14-10P-1.25H(56)	10	11.5	-	24	17.85	24.4
DF14-15P-1.25H(56)	15	20.2	40.4	44	24.1	44.4
DF14-20P-1.25H(56)	20	20.2	40.4	44	30.35	44.4
DF14-25P-1.25H(56)	25	26.2	52.4	56	36.6	56.4
DF14-30P-1.25H(56)	30	26.2	52.4	56	42.85	56.4

STYLE AND DIMENSION OF REEL



SUPPLIER
QUANTITY
PART NO.
CODE NO.
DATE OF MANUFACTURED

DETAIL OF MANUFACTURED

生産月日	年 月 日
CLコード	538-****--56
品名	DF14-*P-1.25H(56)
納入数量	1000個
納入者	ヒロセ電機株式会社

NOTES 4 1 REEL : 1000 CONNECTORS.
5 AT THE BEGINNIG OF THE REEL , 30 COMPONECTS SHALL BE EMPTY.
6 AT THE END OF THE REEL , 20 COMPONECTS SHALL BE EMPTY.
WHEN THE TAPE WIDTH IS 44 TO 56mm , SPROCKET HOLES SHALL BE SET ON BOTH SIDES OF REEL AS SHOWN ON THIS DRAWING.

NO.	MATERIAL	FINISH, REMARKS	NO.	MATERIAL	FINISH, REMARKS		
CODE NO. (OLD) CL			DRAWN	DESIGNED	CHECKED	APPROVED	RELEASED
			<i>F. Matsuki</i>	<i>S. Sato</i>	<i>T. Miyazaki</i>	<i>T. Miyazaki</i>	
			03.3.5	03.3.7	03.03.25	03.03.25	
DRAWING NO. EDC3-160307-21		PART NO. DF14-*P-1.25H(56)		CODE NO. CL538-		2	
SCALE FREE		HRS HIROSE ELECTRIC CO., LTD					

TO

(NC)

X-ON Electronics

Largest Supplier of Electrical and Electronic Components

Click to view similar products for [Headers & Wire Housings](#) category:

Click to view products by [Hirose](#) manufacturer:

Other Similar products are found below :

[892-18-020-10-001101](#) [58102-G61-06LF](#) [582553-1](#) [0009485154](#) [009176003701906](#) [0050291907](#) [LY20-4P-DT1-P1E-BR](#) [02.125.8002.8](#)
[609-3404](#) [61062-3](#) [622-0430](#) [622-3653LF](#) [63453-116](#) [636-1030](#) [636-1427](#) [636-3427](#) [636-4007](#) [641938-9](#) [641991-4](#) [644827-2](#) [65817-010LF](#)
[65817-015LF](#) [65863-015LF](#) [66207-023LF](#) [67095-007LF](#) [67601157](#) [68648-049](#) [70.362.1628.0](#) [70-4210](#) [70-4226B](#) [70-4853B](#) [707-5020](#) [707-5028](#) [71.350.2428.0](#) [71918-208LF](#) [71961-016LF](#) [733-134](#) [733-162](#) [754199-000](#) [760-3052](#) [787-8014-00](#) [79531-3000](#) [FCN-360C032-B](#) [FCN-367T-T012/H](#) [FCN-723D010/2](#) [80.063.4001.1](#) [800-90-001-10-001000](#) [800-90-010-10-002000](#) [801-43-002-10-013000](#) [801-43-006-10-002000](#)