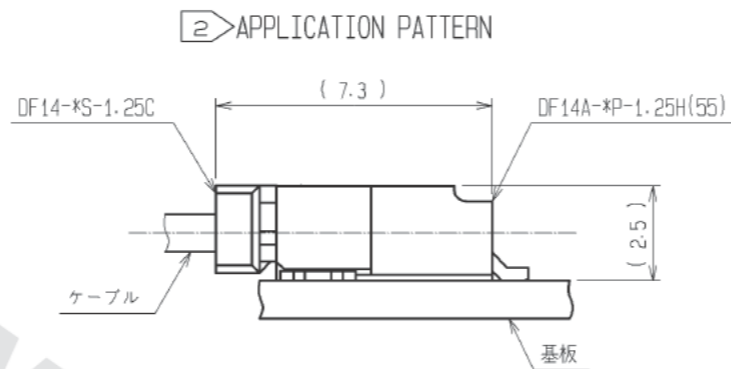
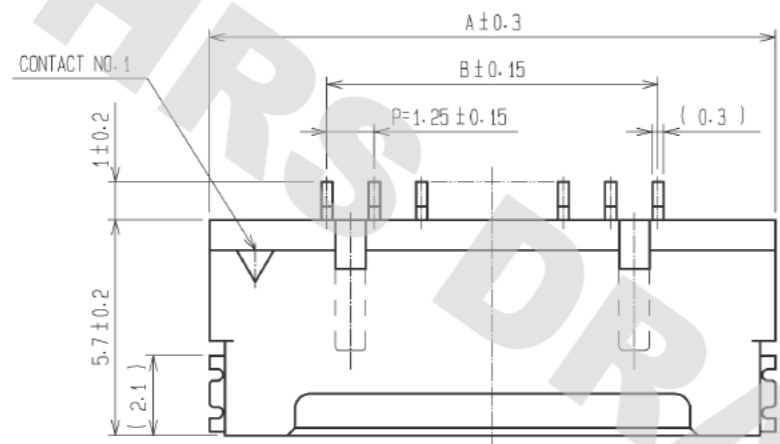
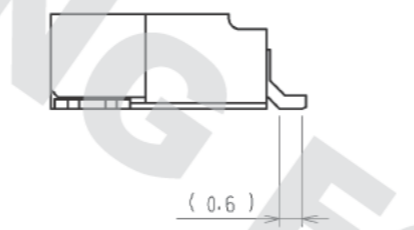
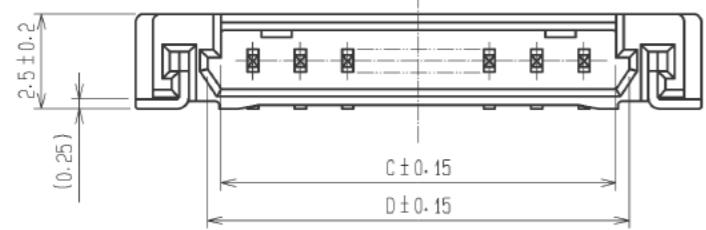


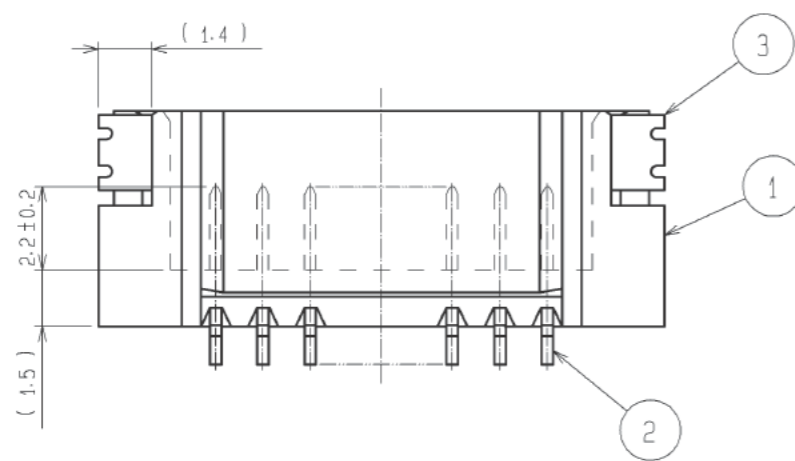
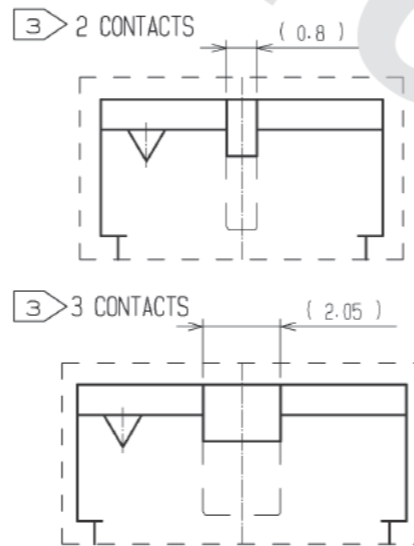
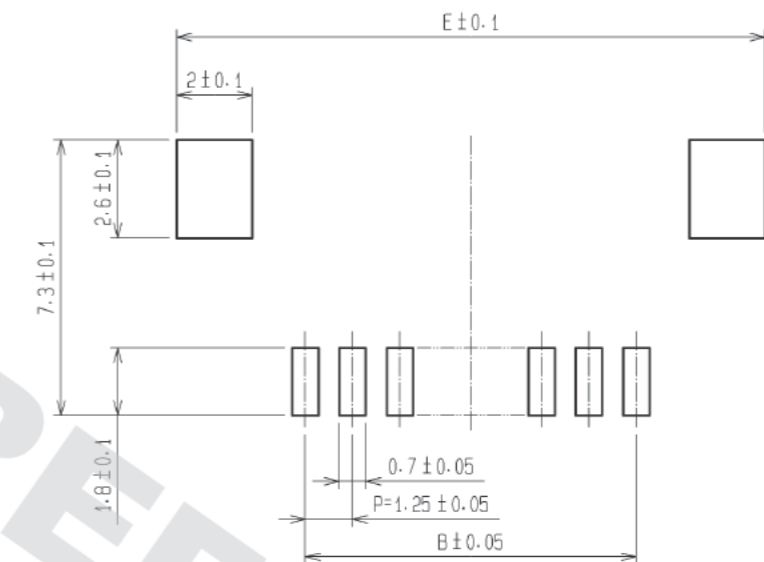
DRAWING FOR REFERENCE: This is subject to change without notice
05/31/2014



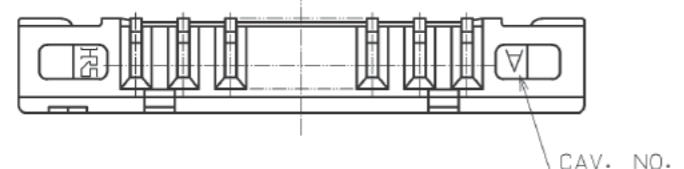
PART NO.	HRS NO.	CONTACTS	A	B	C	D	E
DF14A- 2P-1.25H(55)	CL538-0033-3-55	2	7.45	1.25	2.95	3.65	8.05
DF14A- 3P-1.25H(55)	CL538-0034-6-55	3	8.70	2.50	4.20	4.90	9.30
DF14A- 4P-1.25H(55)	CL538-0035-9-55	4	9.95	3.75	5.45	6.15	10.55
DF14A- 5P-1.25H(55)	CL538-0036-1-55	5	11.20	5.00	6.70	7.40	11.80
DF14A- 6P-1.25H(55)	CL538-0037-4-55	6	12.45	6.25	7.95	8.65	13.05
DF14A- 7P-1.25H(55)	CL538-0038-7-55	7	13.70	7.50	9.20	9.90	14.30
DF14A- 8P-1.25H(55)	CL538-0039-0-55	8	14.95	8.75	10.45	11.15	15.55
DF14A- 9P-1.25H(55)	CL538-0040-9-55	9	16.20	10.00	11.70	12.40	16.80
DF14A-10P-1.25H(55)	CL538-0041-1-55	10	17.45	11.25	12.95	13.65	18.05
DF14A-15P-1.25H(55)	CL538-0114-3-55	15	23.70	17.50	19.20	19.90	24.30
DF14A-20P-1.25H(55)	CL538-0119-7-55	20	29.95	23.75	25.45	26.15	30.55
DF14A-25P-1.25H(55)	CL538-0124-7-55	25	36.20	30.00	31.70	32.40	36.80
DF14A-30P-1.25H(55)	CL538-0045-2-55	30	42.45	36.25	37.95	38.65	43.05



RECOMMENDED PATTERN



- NOTE 1. LEAD CO-PLANALITY INCLUDE REINFORCED METAL FITTINGS SHALL BE 0.1 MAX.
 2 WHEN THIS CONNECTOR MATES WITH DF14-*S-1.25C, THE MATTING LENGTH IS 7.3mm.
 3 FOR CONNECTORS, 2 OR 3 CONTACTS, SIMPLIFIED LOCK HOLE SHALL BE SET AT THE CENTER OF HOUSING.

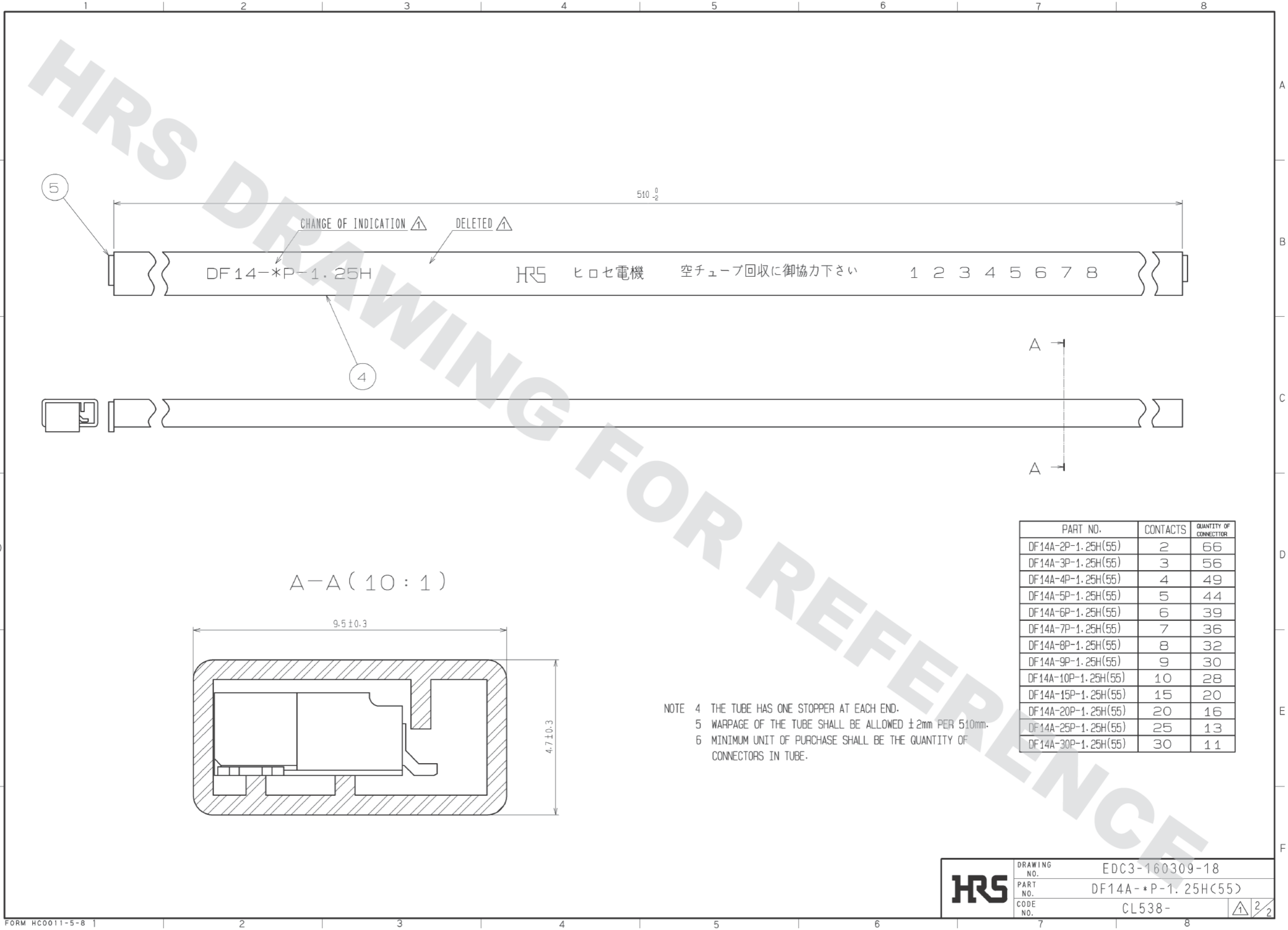


NO.	MATERIAL	FINISH	REMARKS	NO.	MATERIAL	FINISH	REMARKS
2	BRASS		CONTACT AREA:GOLD PLATED 0.1µm min LEAD AREA:TIN-COPPER PLATED 1µm min UNDER PLATING:NICKEL PLATED 1µm min	5	S.PVC		
1	POLYAMIDE		BEIGE, UL94V-0	4	RIGID VINYLCHLORIDE		ELECTROSTATIC PROTECTION
				3	PHOSPHOR BRONZE		TIN-COPPER PLATED 1µm min UNDER PLATING:NICKEL PLATED 0.5µm min

UNITS	SCALE	COUNT	DESCRIPTION OF REVISIONS	DESIGNED	CHECKED	DATE
mm	5 : 1	2	DIS-H-008680	MI. SAKIMURA	TS. FUKUSHIMA	14.04.11

APPROVED	CHECKED	DESIGNED	DRAWN	DRAWING NO.	PART NO.	CODE NO.
KJ. KATAYOSE	TY. OMA	TS. KUMAZAWA	TS. KUMAZAWA	EDC3-160309-18	DF14A-*P-1.25H(55)	CL538-

DRAWING FOR REFERENCE: This is subject to change without notice
05/31/2014



DF 14-*P-1.25H

HRS ヒロセ電機 空チューブ回収に御協力下さい

1 2 3 4 5 6 7 8

510 ⁰/₋₂

CHANGE OF INDICATION \triangle DELETED \triangle

A-A (10:1)

9.5 ± 0.3

4.7 ± 0.3

NOTE 4 THE TUBE HAS ONE STOPPER AT EACH END.
5 WARPAGE OF THE TUBE SHALL BE ALLOWED ±2mm PER 510mm.
6 MINIMUM UNIT OF PURCHASE SHALL BE THE QUANTITY OF CONNECTORS IN TUBE.

PART NO.	CONTACTS	QUANTITY OF CONNECTOR
DF14A-2P-1.25H(55)	2	66
DF14A-3P-1.25H(55)	3	56
DF14A-4P-1.25H(55)	4	49
DF14A-5P-1.25H(55)	5	44
DF14A-6P-1.25H(55)	6	39
DF14A-7P-1.25H(55)	7	36
DF14A-8P-1.25H(55)	8	32
DF14A-9P-1.25H(55)	9	30
DF14A-10P-1.25H(55)	10	28
DF14A-15P-1.25H(55)	15	20
DF14A-20P-1.25H(55)	20	16
DF14A-25P-1.25H(55)	25	13
DF14A-30P-1.25H(55)	30	11

HRS	DRAWING NO.	EDC3-160309-18
	PART NO.	DF14A-*P-1.25H(55)
	CODE NO.	CL538-
		\triangle 2/2

X-ON Electronics

Largest Supplier of Electrical and Electronic Components

Click to view similar products for [Headers & Wire Housings](#) category:

Click to view products by [Hirose](#) manufacturer:

Other Similar products are found below :

[892-18-020-10-001101](#) [58102-G61-06LF](#) [582553-1](#) [0009485154](#) [009176003701906](#) [0050291907](#) [LY20-4P-DT1-P1E-BR](#) [02.125.8002.8](#)
[609-3404](#) [61062-3](#) [622-0430](#) [622-3653LF](#) [63453-116](#) [636-1030](#) [636-1427](#) [636-3427](#) [636-4007](#) [641938-9](#) [641991-4](#) [644827-2](#) [65817-010LF](#)
[65817-015LF](#) [65863-015LF](#) [66207-023LF](#) [67095-007LF](#) [67601157](#) [68648-049](#) [70.362.1628.0](#) [70-4210](#) [70-4226B](#) [70-4853B](#) [707-5020](#) [707-5028](#) [71.350.2428.0](#) [71918-208LF](#) [71961-016LF](#) [733-134](#) [733-162](#) [754199-000](#) [760-3052](#) [787-8014-00](#) [79531-3000](#) [FCN-360C032-B](#) [FCN-367T-T012/H](#) [FCN-723D010/2](#) [80.063.4001.1](#) [800-90-001-10-001000](#) [800-90-010-10-002000](#) [801-43-002-10-013000](#) [801-43-006-10-002000](#)