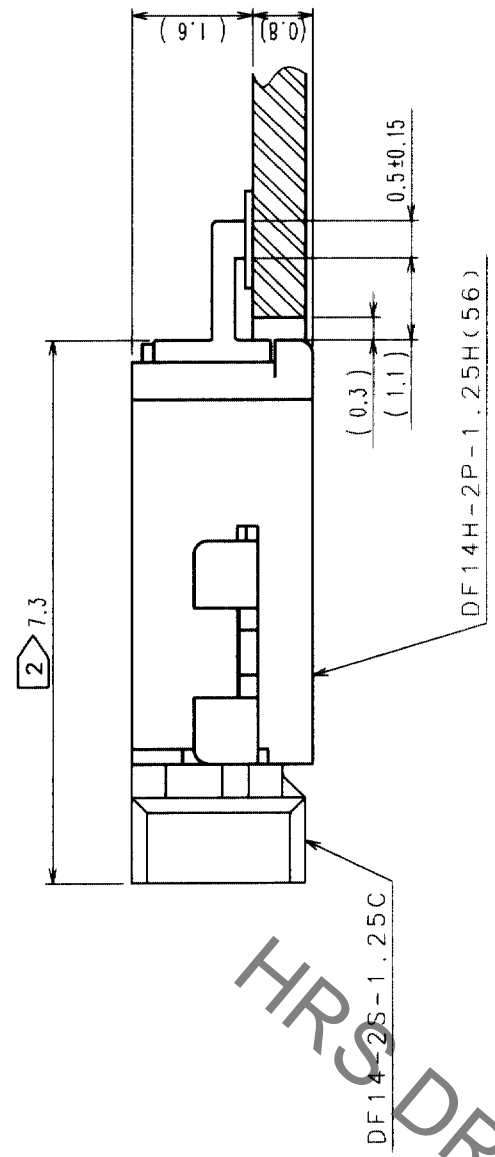
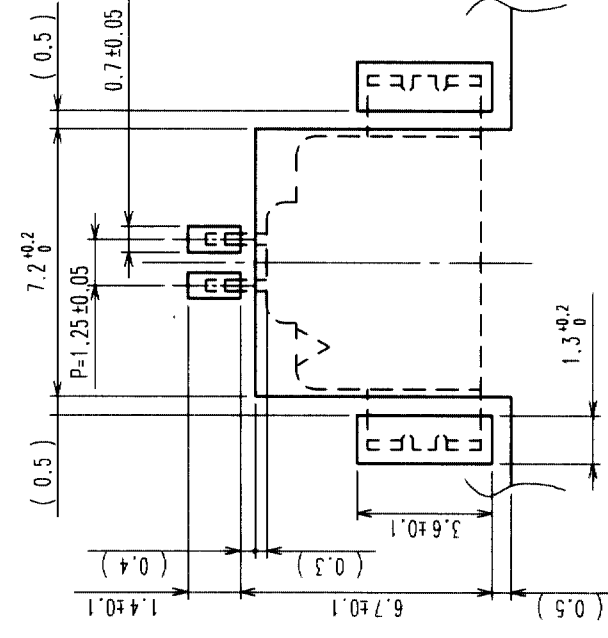


COUNT	DESCRIPTION OF REVISIONS	BY	CHKD	DATE	COUNT	DESCRIPTION OF REVISIONS	BY	CHKD	DATE

APPLICATION PATTERN(10:1)



RECOMMENDED BOARD PATTERN(FREE)



3	PHOSPHOR BRONZE	TIN-COPPER PLATED 1µm min UNDER PLATING : NICKEL 0.5µm min
2	BRASS	CONTACT AREA: GOLD PLATED 0.1µm min SOLDERING AREA: TIN-COPPER PLATED 1µm min
1	POLYAMIDE	UNDER PLATING : NICKEL 1µm min BEIGE, UL94V-0

NO.	MATERIAL	FINISH, REMARKS	NO.	MATERIAL	FINISH, REMARKS
5	POLYESTER	(CLEAR)	COVER TAPE	(CLEAR)	
4	A-PET	(CLEAR)	EMBOSSED CARRIER TAPE	(CLEAR)	

CL	CODE NO. (OLD)	CL
EDC3-161473-03	DRAWING NO.	DF14H-2P-1.25H(56)
5 : 1	SCALE	
mm	UNITS	

NOTE 1 LEAD CO-PLANALITY INCLUDE REINFORCED METAL FITTING SHALL BE 0.1mm MAX.
 2 WHEN THIS CONNECTOR MATES WITH DF14-2S-1.25C, THE MATTING LENGTH IS 7.3mm.

TO			
----	--	--	--

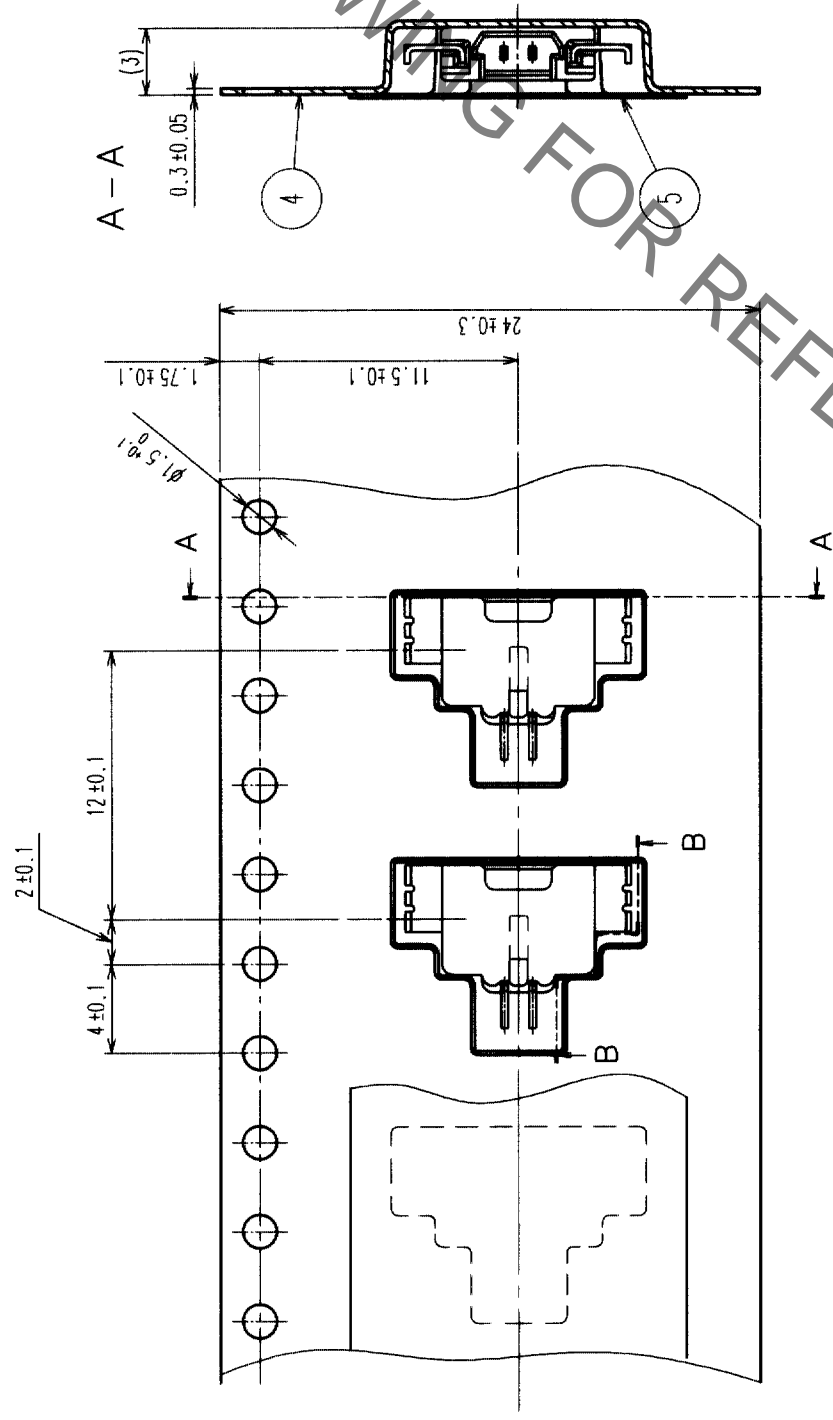
HRS DRAWING FOR REFERENCE

5		6		7		8			
COUNT	DESCRIPTION OF REVISIONS	BY	CHKD	DATE	COUNT	DESCRIPTION OF REVISIONS	BY	CHKD	DATE
△					△				
△					△				
△					△				

DETAIL OF PART NO. LABEL

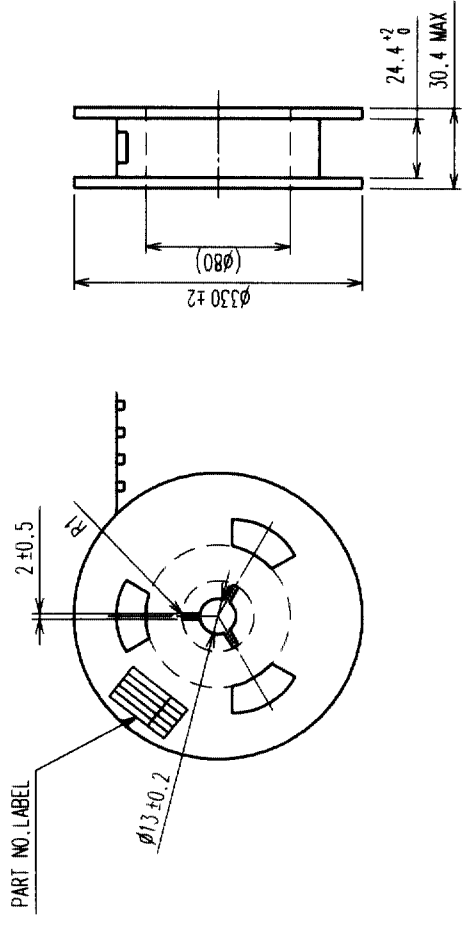
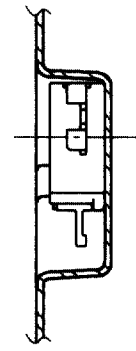
SUPPLIER	年月日
QUANTITY	CL538-0177-3-56
PART NO.	DF14H-2P-1.25H(56)
CODE.NO	1000 個
DATE OF MANUFACTURED	ヒロセ電機 (株)

STYLE AND DIMENTION OF REEL (FREE)



↑
DIRECTION OF UNREELING

B-B



NOTE 3 1 REEL:1000 CONNECTORS
 4 AT THE BEGINNING OF THE REEL, 30 COMPONENTS SHALL BE EMPTY, AT THE END OF REEL, 20 COMPONENTS SHALL BE EMPTY.

NO.		FINISH, REMARKS		NO.		MATERIAL		FINISH, REMARKS	
CODE NO. (OLD)	CL								
DRAWN		DESIGNED		CHECKED		APPROVED		RELEASED	
J. Saito		T. Miyagaki		T. Miyagaki		T. Miyagaki			
03.03.05		03.03.05		03.03.05		03.03.05			
DRAWING NO.		PART NO.		FINISH, REMARKS		FINISH, REMARKS			
EDC3-161473-03		DF14H-2P-1.25H(56)							
SCALE		CODE NO.		FINISH, REMARKS		FINISH, REMARKS			
2:1		CL538-0177-3-56							
UNITS		FINISH, REMARKS		FINISH, REMARKS		FINISH, REMARKS			
JTTT									

TO			
----	--	--	--



HIROSE ELECTRIC CO., LTD

X-ON Electronics

Largest Supplier of Electrical and Electronic Components

Click to view similar products for [Headers & Wire Housings](#) category:

Click to view products by [Hirose](#) manufacturer:

Other Similar products are found below :

[892-18-020-10-001101](#) [58102-G61-06LF](#) [582553-1](#) [0009485154](#) [009176003701906](#) [0050291907](#) [LY20-4P-DT1-P1E-BR](#) [02.125.8002.8](#)
[609-3404](#) [61062-3](#) [622-0430](#) [622-3653LF](#) [63453-116](#) [636-1030](#) [636-1427](#) [636-3427](#) [636-4007](#) [641938-9](#) [641991-4](#) [644827-2](#) [65817-010LF](#)
[65817-015LF](#) [65863-015LF](#) [66207-023LF](#) [67095-007LF](#) [67601157](#) [68648-049](#) [70.362.1628.0](#) [70-4210](#) [70-4226B](#) [70-4853B](#) [707-5020](#) [707-5028](#) [71.350.2428.0](#) [71918-208LF](#) [71961-016LF](#) [733-134](#) [733-162](#) [754199-000](#) [760-3052](#) [787-8014-00](#) [79531-3000](#) [FCN-360C032-B](#) [FCN-367T-T012/H](#) [FCN-723D010/2](#) [80.063.4001.1](#) [800-90-001-10-001000](#) [800-90-010-10-002000](#) [801-43-002-10-013000](#) [801-43-006-10-002000](#)