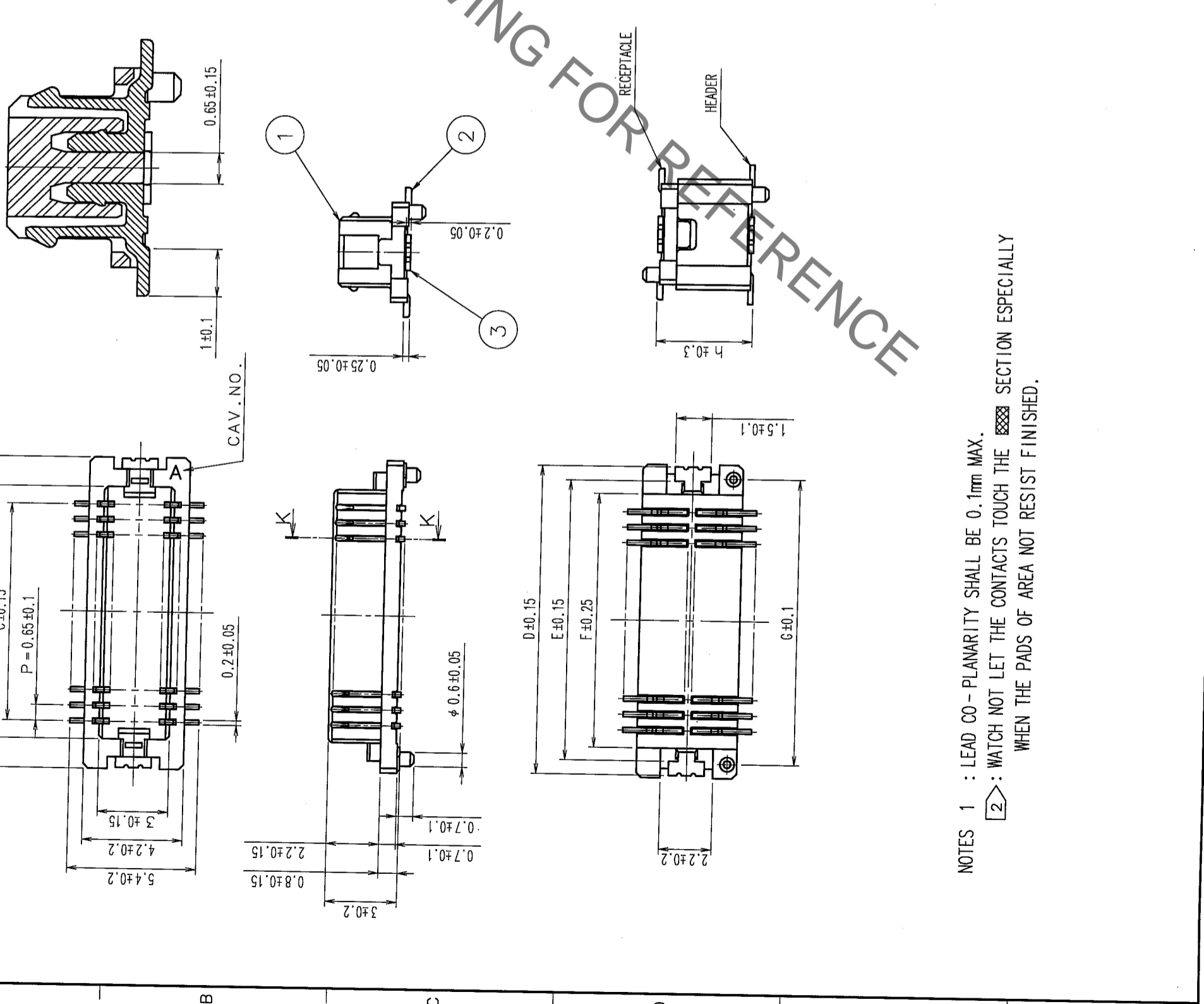
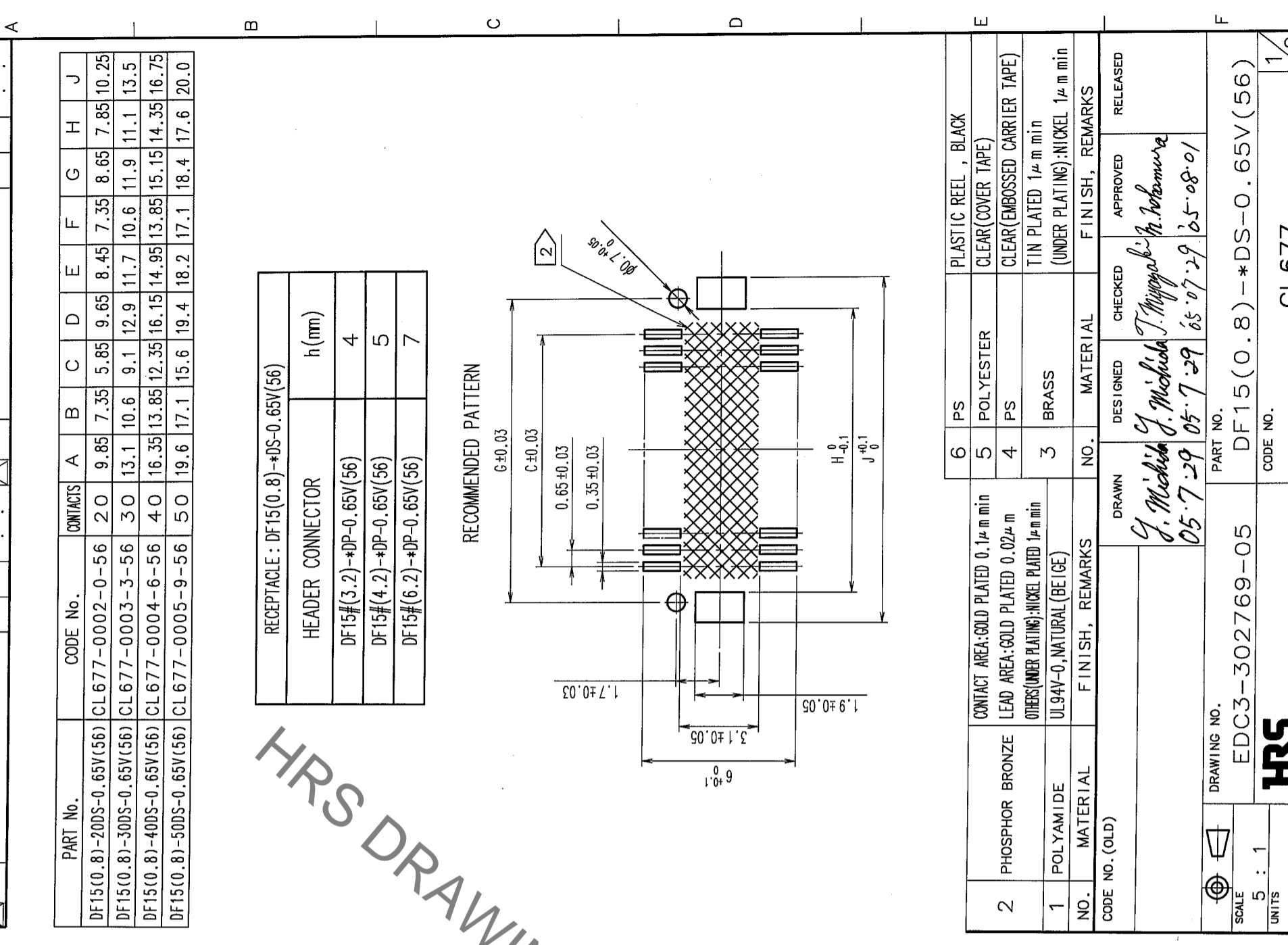


COUNT	DESCRIPTION OF REVISIONS	BY	CHKD	DATE	COUNT	DESCRIPTION OF REVISIONS	BY	CHKD	DATE
△									
△									
△									

PART No.	CODE No.	CONTACTS	A	B	C	D	E	F	G	H	J
DF15(0.8)-20DS-0.65V(56)	CL677-0002-0-56	20	9.85	7.35	5.85	9.65	8.45	7.35	8.65	7.85	10.25
DF15(0.8)-30DS-0.65V(56)	CL677-0003-3-56	30	13.1	10.6	9.1	12.9	11.7	10.6	11.9	11.1	13.5
DF15(0.8)-40DS-0.65V(56)	CL677-0004-6-56	40	16.35	13.85	12.35	16.15	14.95	13.85	15.15	14.35	16.75
DF15(0.8)-50DS-0.65V(56)	CL677-0005-9-56	50	19.6	17.1	15.6	19.4	18.2	17.1	18.4	17.6	20.0

RECEPTACLE :	DF15(0.8)-*DS-0.65V(56)
HEADER CONNECTOR	h (mm)
DF15#(3.2)-*DP-0.65V(56)	4
DF15#(4.2)-*DP-0.65V(56)	5
DF15#(6.2)-*DP-0.65V(56)	7



NO.	MATERIAL	FINISH, REMARKS	NO.	MATERIAL	FINISH, REMARKS
2	PHOSPHOR BRONZE	CONTACT AREA: GOLD PLATED 0.1μm min LEAD AREA: GOLD PLATED 0.02μm OTHERS (UNDER PLATING): NICKEL PLATED 1μm min	6	PS	PLASTIC REEL, BLACK CLEAR (COVER TAPE)
1	POLYAMIDE	UL94V-0, NATURAL (BEIGE)	5	POLYESTER	CLEAR (EMBOSSED CARRIER TAPE)
			4	PS	TIN PLATED 1μm min (UNDER PLATING): NICKEL 1μm min
			3	BRASS	FINISH, REMARKS

NOTES 1 : LEAD CO-PLANARITY SHALL BE 0.1mm MAX.  
 2 : WATCH NOT LET THE CONTACTS TOUCH THE SECTION ESPECIALLY WHEN THE PADS OF AREA NOT RESIST FINISHED.

DRAWING NO. EDC3-302769-05  
 SCALE 5 : 1  
 UNITS mm

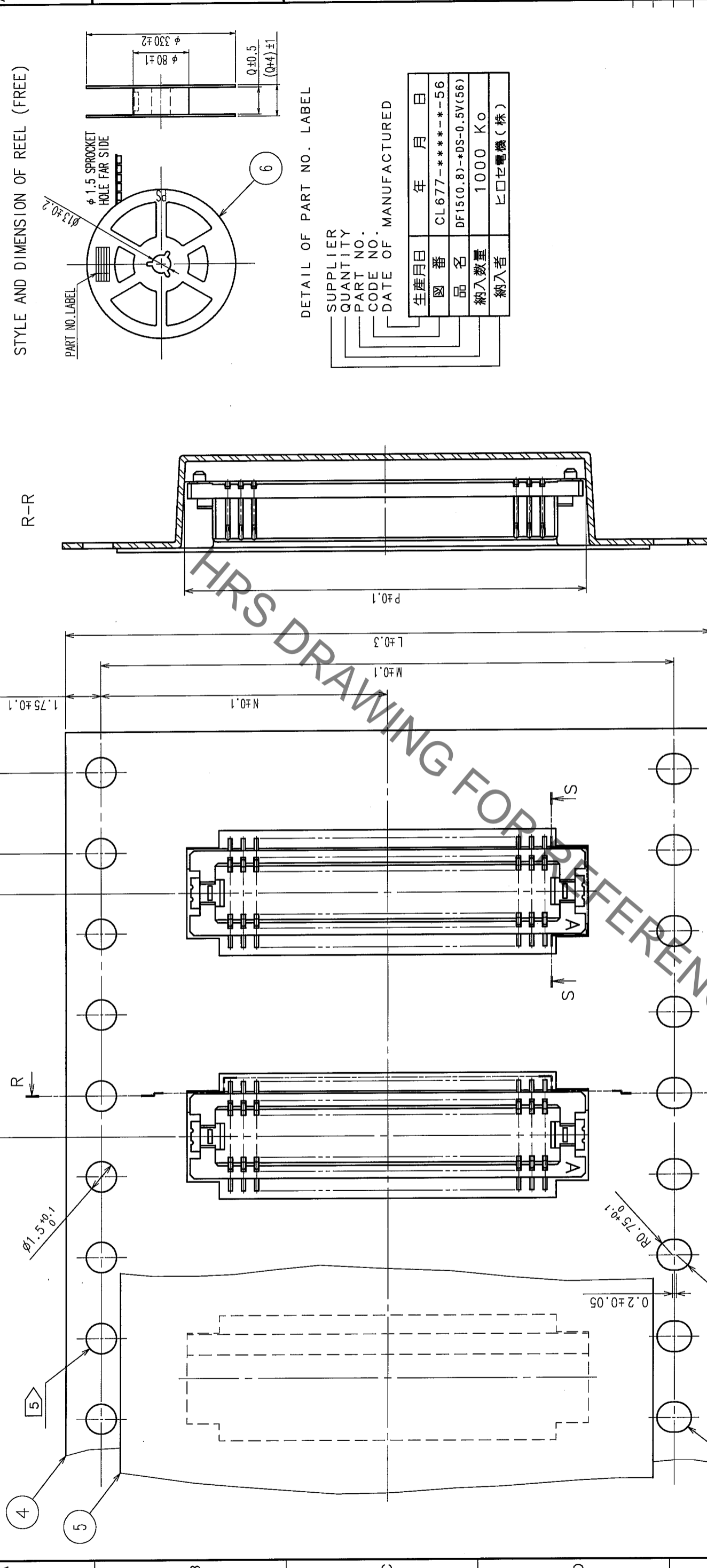
DRAWN  
 DESIGNED  
 CHECKED  
 APPROVED  
 RELEASED

J. Michida  
 J. Miyajima  
 M. Kobayashi  
 05.7.29  
 05.7.29  
 05.07.29  
 05.08.01

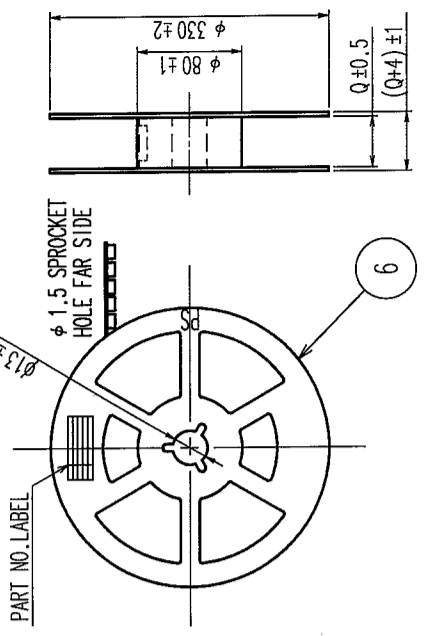
PART NO. DF15(0.8)-\*DS-0.65V(56)  
 CODE NO. CL677

HIROSE ELECTRIC CO., LTD.  
 CL677

COUNT	DESCRIPTION OF REVISIONS	BY	CHKD	DATE	COUNT	DESCRIPTION OF REVISIONS	BY	CHKD	DATE



STYLE AND DIMENSION OF REEL (FREE)



DETAIL OF PART NO. LABEL

SUPPLIER  
QUANTITY  
PART NO.  
CODE NO.  
DATE OF MANUFACTURED

生産月日	年	月	日
図番	CL677	-	***--56
品名	DF15(0.8)-*DS-0.5V(56)		
納入数量	1000	Ko	
納入者	ヒロセ電機(株)		

NOTES 3:1 REEL:1000 CONNECTORS.  
4: AT THE BEGINNING OF THE REEL, 30 COMPONENTS SHALL BE EMPTY. AT THE END OF THE REEL, 20 COMPONENTS SHALL BE EMPTY.  
5: WHEN THE TAPE WIDTH IS 32mm OR 44mm, SPROCKET HOLES SHALL BE SET ON BOTH SIDES OF REEL AS SHOWN ON THIS DRAWING.  
6: PEEL FORCE REFERS TO JISC 0806.

PART No.	CODE No.	L	M	N	P	Q
DF15(0.8)-20DS-0.65V(56)	CL677-0002-0-56	16.0	-	7.5	10.15	17.5
DF15(0.8)-30DS-0.65V(56)	CL677-0003-3-56	24.0	-	11.5	13.4	25.5
DF15(0.8)-40DS-0.65V(56)	CL677-0004-6-56	24.0	-	11.5	16.65	25.5
DF15(0.8)-50DS-0.65V(56)	CL677-0005-9-56	32.0	28.4	14.2	19.9	33.5

CODE NO. (OLD)		DESIGNED	J. Michida	CHECKED	J. Higashimura	APPROVED	J. Higashimura	RELEASED	
DRAWING NO.	EDC3-302769-05	DRAWN	J. Michida						
SCALE	5 : 1								
UNITS	mm								
PART NO.	DF15(0.8)-*DS-0.65V(56)								
CODE NO.	CL677								

## X-ON Electronics

Largest Supplier of Electrical and Electronic Components

*Click to view similar products for [Board to Board & Mezzanine Connectors](#) category:*

*Click to view products by [Hirose](#) manufacturer:*

Other Similar products are found below :

[589158040000018](#) [MDF7C-18P-2.54DSA\(55\)](#) [FCN-230C068-11](#) [FCN-268F012-G/BD](#) [FCN-268F036-G/BD](#) [FCN-268M012-G/0D](#) [FCN-268M024-G/1D](#) [FCN-723J004/1](#) [MIS-048-01-F-D-DP-K](#) [832-10-034-10-001000](#) [FX4C-80S-1.27DSA](#) [FCN-214Q030-G/0](#) [FCN-234P048-G/0](#) [FCN-235D050-G/C](#) [210-93-314-41-105000](#) [2-22603-0](#) [MDF7-40DP-2.54DSA\(55\)](#) [AXG720047](#) [MIT-114-03-F-D-K](#) [55323-1519](#) [DF33-2P-3.3DSA\(24\)](#) [YFT-20-05-H-03-SB-K](#) [503308-3040](#) [026-6203-PDB](#) [027-6203-PDB](#) [069159702701000](#) [10123981-102LF](#) [101A10019X](#) [55650-0588-C](#) [68682-310LF](#) [68684-306](#) [75140-7012](#) [87471-650](#) [YTW-30-07-H-Q-410-140](#) [FCN-268F024-G0D](#) [10124054-515LF](#) [68685-603](#) [8-1616154-3](#) [MIS-019-01-F-D](#) [FCN-268M024-G/3D](#) [FCN-268M036-G/BD](#) [20021832-06016C1LF](#) [KX15-20KLDL-E1000E](#) [AXE810124](#) [FCN-214J100-G/0](#) [FCN-230C068-E/S](#) [AXE812124](#) [AXE816124](#) [AXE720127](#) [354184](#)