

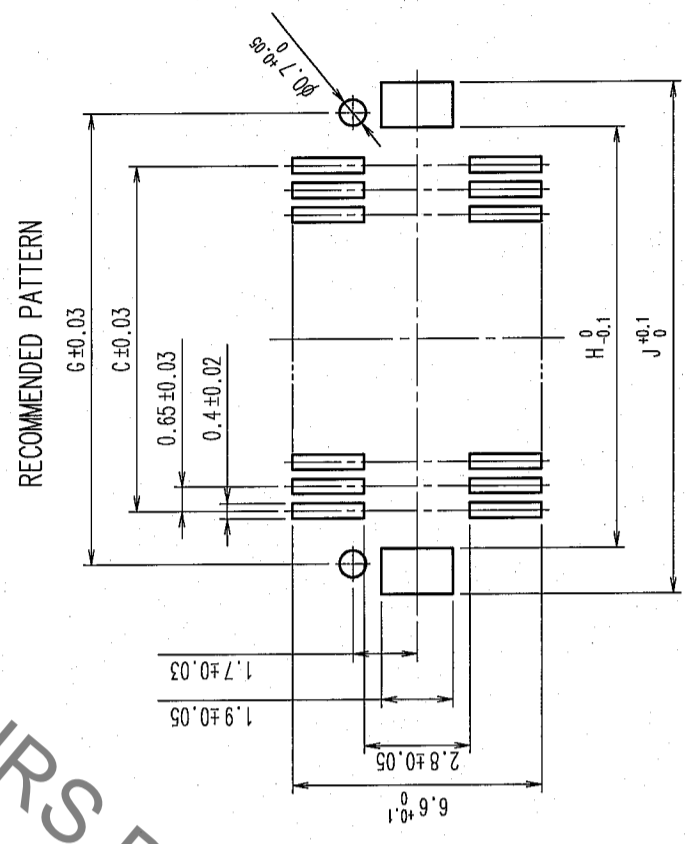
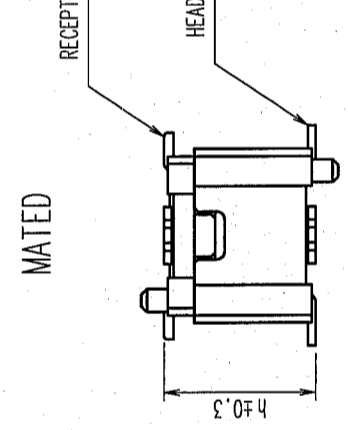
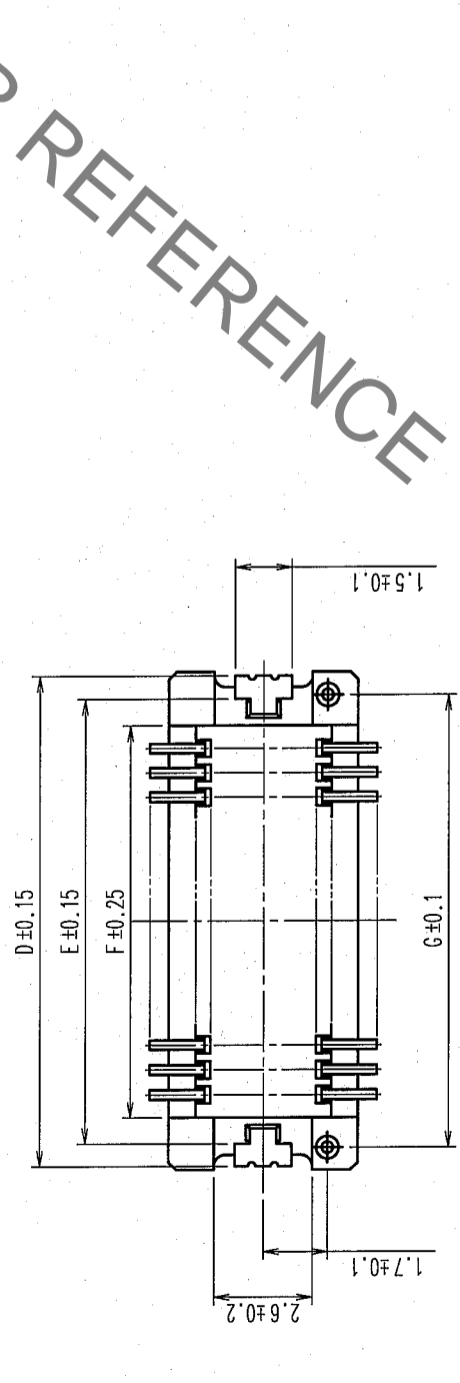
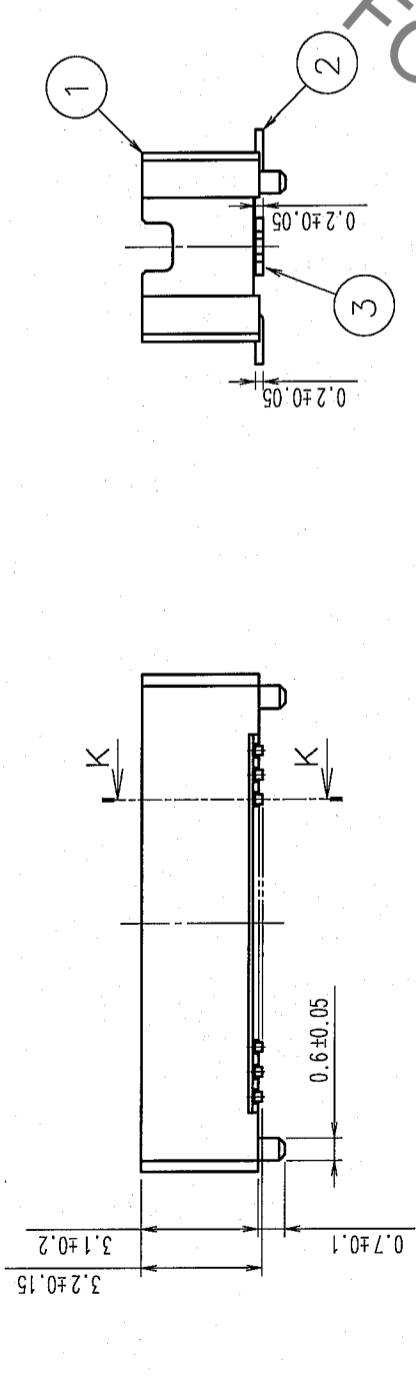
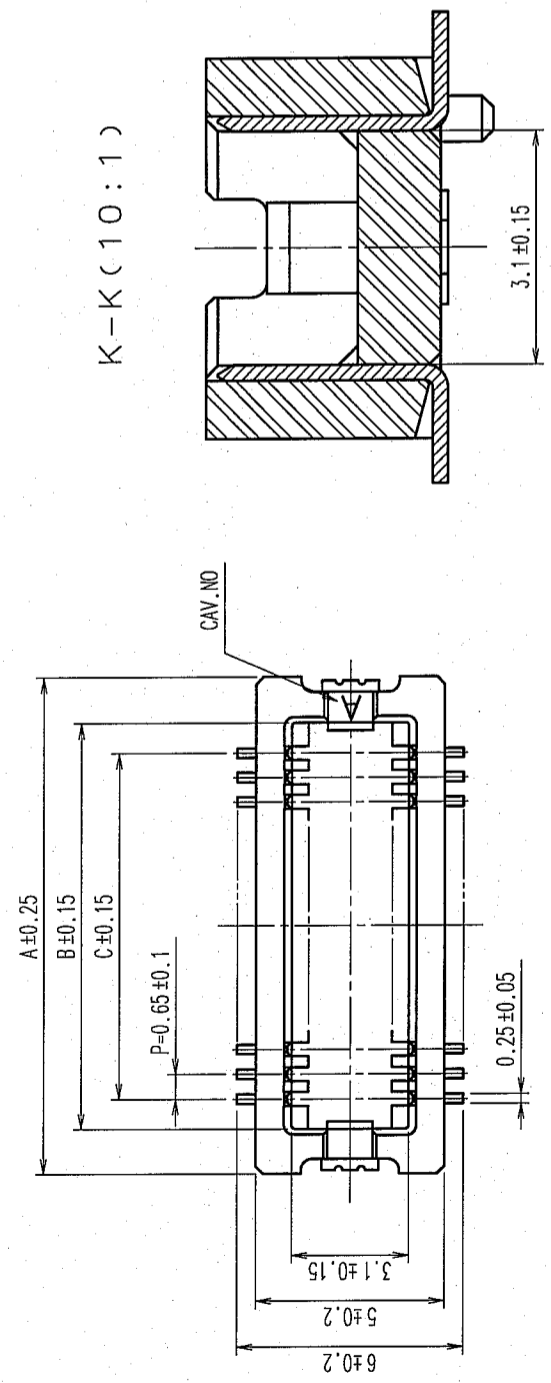
Oct.1.2019 Copyright 2019 HIROSE ELECTRIC CO., LTD. All Rights Reserved.
 In case of consideration for using Automotive equipment / device which demand high reliability, kindly contact our sales window correspondents.

1 2 3 4 5 6 7 8

| COUNT | DESCRIPTION OF REVISIONS | BY | CHKD | DATE | COUNT | DESCRIPTION OF REVISIONS | BY | CHKD | DATE |
|-------|--------------------------|----|------|------|-------|--------------------------|----|------|------|
| △ | | | | | △ | | | | |
| △ | | | | | △ | | | | |
| △ | | | | | △ | | | | |

| PART NO. | CODE NO. | CONTACT | A | B | C | D | E | F | G | H | J |
|--------------------------|-----------------|---------|-------|-------|-------|-------|-------|-------|-------|-------|-------|
| DF15(3.2)-20DP-0.65V(56) | CL677-0082-0-56 | 20 | 9.85 | 7.45 | 5.85 | 9.65 | 8.45 | 7.05 | 8.65 | 7.85 | 10.25 |
| DF15(3.2)-30DP-0.65V(56) | CL677-0083-2-56 | 30 | 13.1 | 10.7 | 9.1 | 12.9 | 11.7 | 10.3 | 11.9 | 11.1 | 13.5 |
| DF15(3.2)-40DP-0.65V(56) | CL677-0084-5-56 | 40 | 16.35 | 13.95 | 12.35 | 16.15 | 14.95 | 13.55 | 15.15 | 14.35 | 16.75 |
| DF15(3.2)-50DP-0.65V(56) | CL677-0085-8-56 | 50 | 19.6 | 17.2 | 15.6 | 19.4 | 18.2 | 16.8 | 18.4 | 17.6 | 20.0 |

HRS DRAWING FOR REFERENCE



NOTES 1. LEAD CO-PLANARITY INCLUDE REINFORCED METAL FITTINGS SHALL BE 0.1 mm MAX.

| NO. | MATERIAL | FINISH, REMARKS | DESIGNED | CHECKED | APPROVED | RELEASED |
|-----|-----------|---|----------|---------|----------|----------|
| 6 | PS | BLACK (PLASTIC REEL) | | | | |
| 5 | POLYESTER | CLEAR (COVER TAPE) | | | | |
| 4 | PS | CLEAR (EMBOSSED CARRIER TAPE) | | | | |
| 3 | BRASS | TIN PLATED 1μm min UNDER PLATING-NICKEL PLATED 1μm min | | | | |
| | | NATURAL (BEIGE), UL94V-0 | | | | |
| | | | | | | |

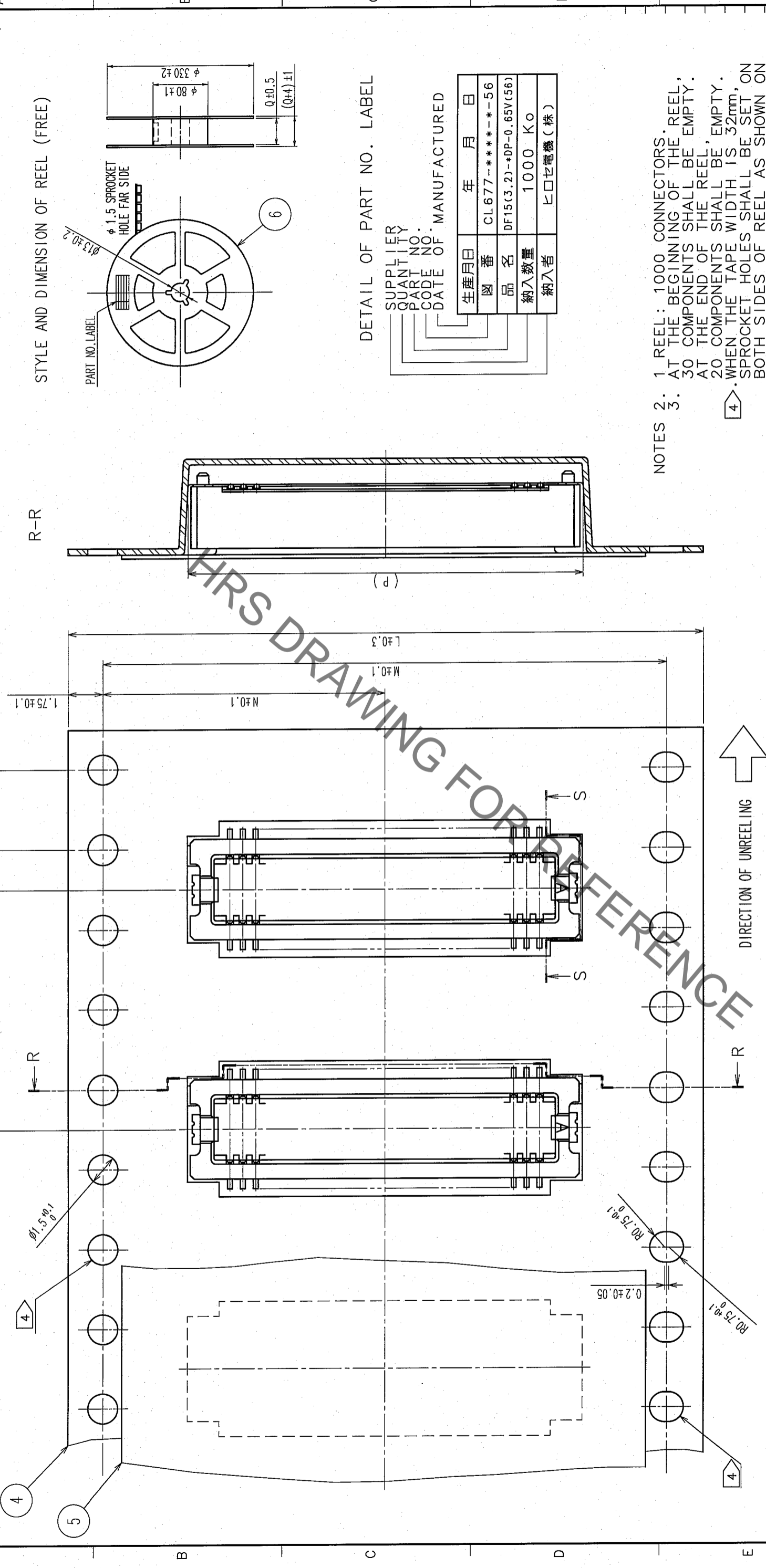
| CODE NO. (OLD) | DRAWING NO. | DRAWN | DESIGNED | CHECKED | APPROVED | RELEASED |
|----------------|----------------|-------------|------------|-------------|----------|----------|
| | EDC3-302773-05 | A. Murakami | J. Michida | T. Miyajima | S. Ikeda | |
| | | 05-11-02 | 05-11-10 | 05-11-10 | 05-11-11 | |
| | | | | | | |

| MATED HEIGHT (h) | RECEPTACLE NO. | HEADER NO. |
|------------------|--------------------------|-------------------------|
| | DF15#(0.8)-*DS-0.65V(56) | DF15(3.2)-*DP-0.65V(56) |
| | DF15#(1.8)-*DS-0.65V(56) | 4 |
| | | 5 |

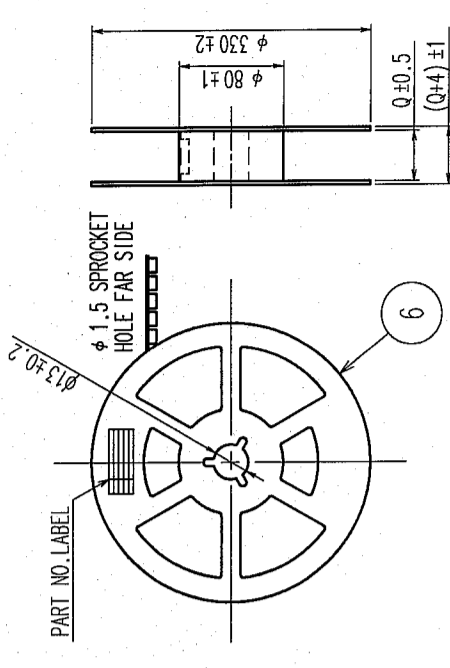
| DRAWING NO. | PART NO. |
|----------------|-------------------------|
| EDC3-302773-05 | DF15(3.2)-*DP-0.65V(56) |
| | |

| SCALE | UNITS | CODE NO. |
|-------|-------|----------|
| 5 : 1 | mm | CL677 |

| COUNT | DESCRIPTION OF REVISIONS | BY | CHKD | DATE | COUNT | DESCRIPTION OF REVISIONS | BY | CHKD | DATE |
|-------|--------------------------|----|------|------|-------|--------------------------|----|------|------|
| | | | | | | | | | |



STYLE AND DIMENSION OF REEL (FREE)



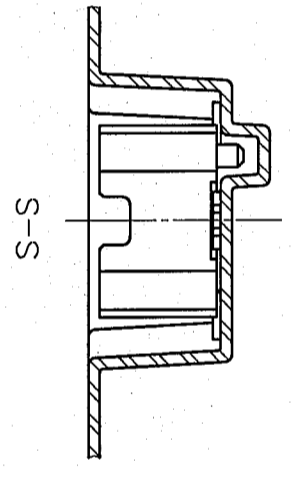
DETAIL OF PART NO. LABEL

SUPPLIER
QUANTITY
PART NO.
CODE NO.
DATE OF MANUFACTURED

| | |
|------|-------------------------|
| 生産月日 | 年月日 |
| 図番 | CL677-***--56 |
| 品名 | DF15(3.2)-*DP-0.65V(56) |
| 納入数量 | 1000 K O |
| 納入者 | ヒロセ電機(株) |

- NOTES
- 1 REEL: 1000 CONNECTORS.
 - 2 AT THE BEGINNING OF THE REEL, 30 COMPONENTS SHALL BE EMPTY.
 - 3 AT THE END OF THE REEL, 20 COMPONENTS SHALL BE EMPTY.
 - 4 WHEN THE TAPE WIDTH IS 32mm, SPROCKET HOLES SHALL BE SET ON BOTH SIDES OF REEL AS SHOWN ON THIS DRAWING.
 5. PEEL FORCE REFERS TO JIS C 0806.

| PART NO. | CODE NO. | L | M | N | P | Q |
|--------------------------|-----------------|------|------|------|-------|------|
| DF15(3.2)-20DP-0.65V(56) | CL677-0082-0-56 | 16.0 | - | 7.5 | 10.15 | 17.5 |
| DF15(3.2)-30DP-0.65V(56) | CL677-0083-2-56 | 24.0 | - | 11.5 | 13.4 | 25.5 |
| DF15(3.2)-40DP-0.65V(56) | CL677-0084-5-56 | 24.0 | - | 11.5 | 16.65 | 25.5 |
| DF15(3.2)-50DP-0.65V(56) | CL677-0085-8-56 | 32.0 | 28.4 | 14.2 | 19.9 | 33.5 |



| | | | | | | |
|----------------|-------------------------|--|----------|----------|----------|----------|
| CODE NO. (OLD) | EDC3-302773-05 | DRAWN | DESIGNED | CHECKED | APPROVED | RELEASED |
| SCALE | 5 : 1 | A. Maruoka, J. Michioka, T. Miyagaki, K. Ikeda | | | | |
| UNITS | mm | 05.11.10 | | 05.11.11 | | |
| DRAWING NO. | DF15(3.2)-*DP-0.65V(56) | PART NO. | | | | |
| | | CODE NO. | CL677 | | | |
| | | | 2/2 | | | |

X-ON Electronics

Largest Supplier of Electrical and Electronic Components

Click to view similar products for [Board to Board & Mezzanine Connectors](#) category:

Click to view products by [Hirose](#) manufacturer:

Other Similar products are found below :

[589158040000018](#) [MDF7C-18P-2.54DSA\(55\)](#) [FCN-230C068-11](#) [FCN-268F012-G/BD](#) [FCN-268F036-G/BD](#) [FCN-268M012-G/0D](#) [FCN-268M024-G/1D](#) [FCN-723J004/1](#) [MIS-048-01-F-D-DP-K](#) [832-10-034-10-001000](#) [FX4C-80S-1.27DSA](#) [FCN-214Q030-G/0](#) [FCN-234P048-G/0](#) [FCN-235D050-G/C](#) [210-93-314-41-105000](#) [2-22603-0](#) [MDF7-40DP-2.54DSA\(55\)](#) [AXG720047](#) [MIT-114-03-F-D-K](#) [55323-1519](#) [DF33-2P-3.3DSA\(24\)](#) [YFT-20-05-H-03-SB-K](#) [503308-3040](#) [026-6203-PDB](#) [027-6203-PDB](#) [069159702701000](#) [10123981-102LF](#) [101A10019X](#) [55650-0588-C](#) [68682-310LF](#) [68684-306](#) [75140-7012](#) [87471-650](#) [YTW-30-07-H-Q-410-140](#) [FCN-268F024-G0D](#) [10124054-515LF](#) [68685-603](#) [8-1616154-3](#) [MIS-019-01-F-D](#) [FCN-268M024-G/3D](#) [FCN-268M036-G/BD](#) [20021832-06016C1LF](#) [KX15-20KLDL-E1000E](#) [AXE810124](#) [FCN-214J100-G/0](#) [FCN-230C068-E/S](#) [AXE812124](#) [AXE816124](#) [AXE720127](#) [354184](#)