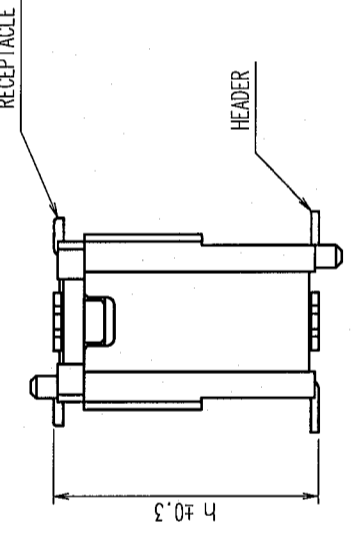
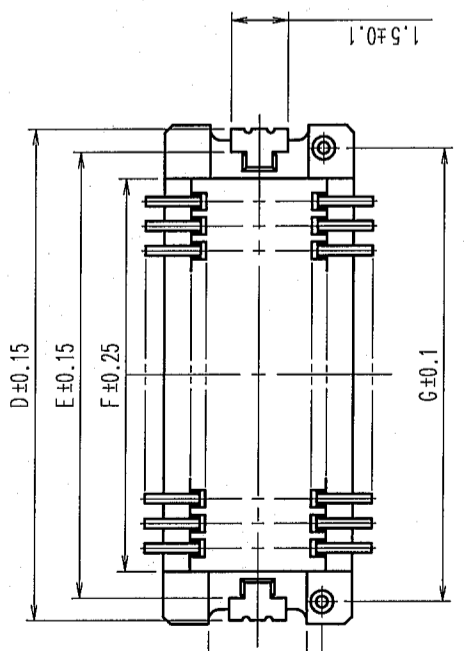
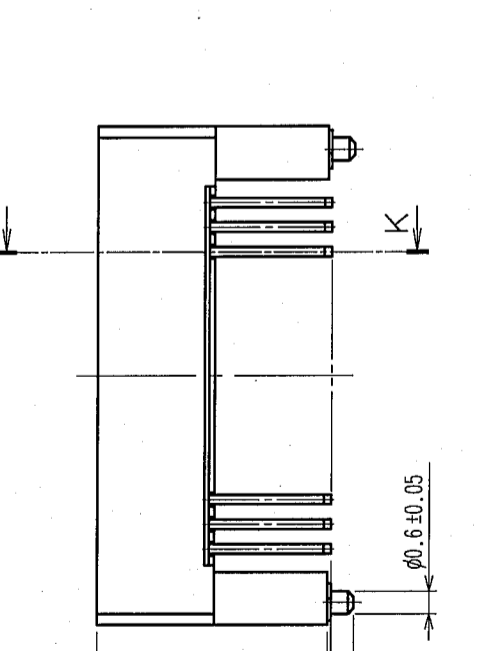
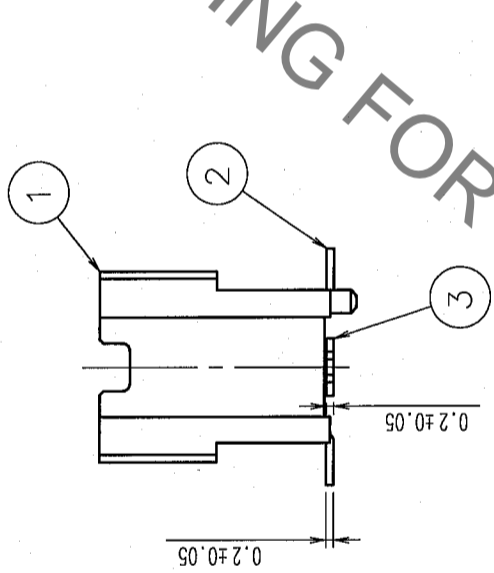
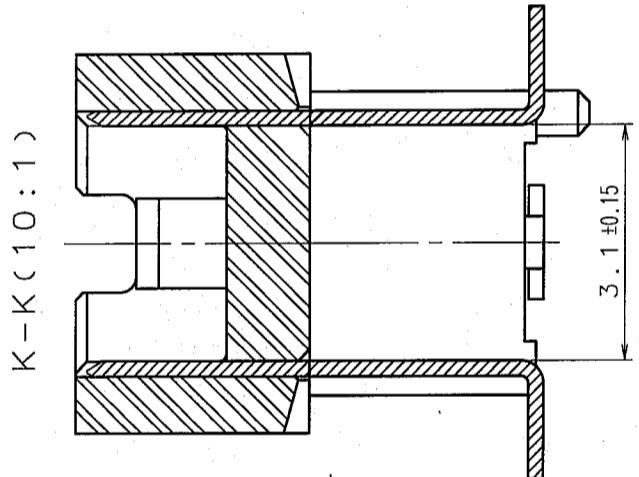
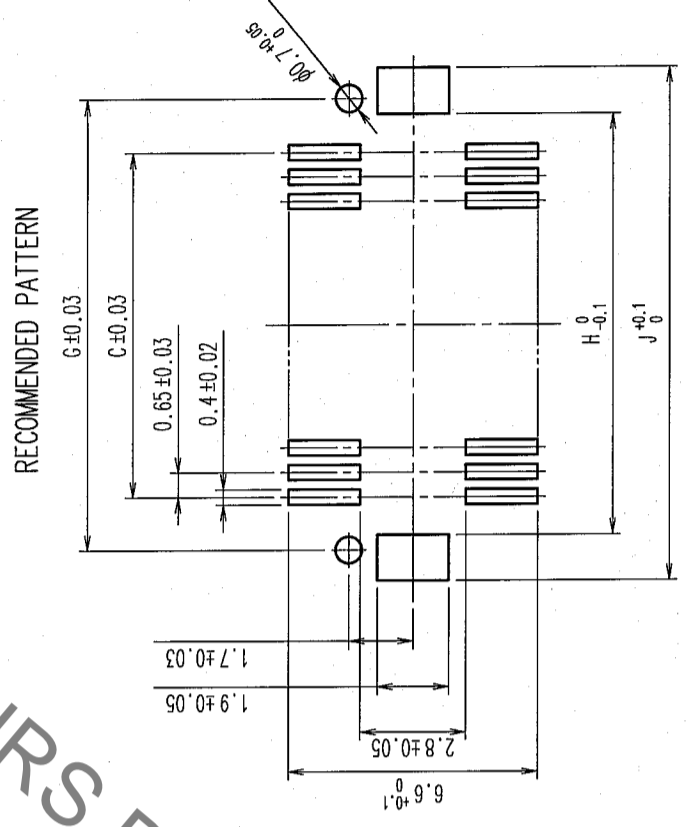


COUNT	DESCRIPTION OF REVISIONS	BY	CHKD	DATE	COUNT	DESCRIPTION OF REVISIONS	BY	CHKD	DATE
△					△				
△					△				
△					△				

PART NO.	CODE NO.	CONTACT	A	B	C	D	E	F	G	H	J
DF15(6.2)-20DP-0.65V(56)	CL677-0162-7-56	20	9.85	7.45	5.85	9.65	8.45	7.05	8.65	7.85	10.25
DF15(6.2)-30DP-0.65V(56)	CL677-0163-0-56	30	13.1	10.7	9.1	12.9	11.7	10.3	11.9	11.1	13.5
DF15(6.2)-40DP-0.65V(56)	CL677-0164-2-56	40	16.35	13.95	12.35	16.15	14.95	13.55	15.15	14.35	16.75
DF15(6.2)-50DP-0.65V(56)	CL677-0165-5-56	50	19.6	17.2	15.6	19.4	18.2	16.8	18.4	17.6	20.0



HRS DRAWING FOR REFERENCE



NOTES 1. LEAD CO-PLANARITY INCLUDE REINFORCED METAL FITTINGS SHALL BE 0.1 mm MAX.

NO.	MATERIAL	FINISH, REMARKS	NO.	MATERIAL	FINISH, REMARKS
1	PHOSPHOR BRONZE	CONTACT AREA: GOLD PLATED 0.1µm min LEAD AREA: TIN PLATED 1µm min UNDER PLATING: NICKEL PLATED 1µm min	6	PS	BLACK (PLASTIC REEL)
2	POLYAMIDE (PA6T)	NATURAL (BEIGE), UL94V-0	5	POLYESTER	CLEAR (COVER TAPE)
			4	PS	CLEAR (EMBOSSED CARRIER TAPE)
			3	BRASS	TIN PLATED 1µm min UNDER PLATING: NICKEL PLATED 1µm min

CODE NO. (OLD)	DRAWN	DESIGNED	CHECKED	APPROVED	RELEASED
	<i>H. Murakami</i>	<i>M. Michikida</i>	<i>A. Takahashi</i>	<i>T. Nakamura</i>	
	<i>05.11.21</i>	<i>05.11.21</i>	<i>05.11.21</i>	<i>05.11.21</i>	
	PART NO. DF15(6.2)-*DP-0.65V(56)				
DRAWING NO. EDC3-302781-01	CODE NO. CL677				
SCALE 5 : 1	UNITS mm				

MATED HEIGHT (h)	RECEPTACLE NO.	HEADER NO.
7	DF15#(0.8)-*DS-0.65V(56)	DF15(6.2)-*DP-0.65V(56)
8	DF15#(1.8)-*DS-0.65V(56)	

2 In case of consideration for using Automotive equipment / device which demand high reliability, kindly contact our sales window correspondents.

7

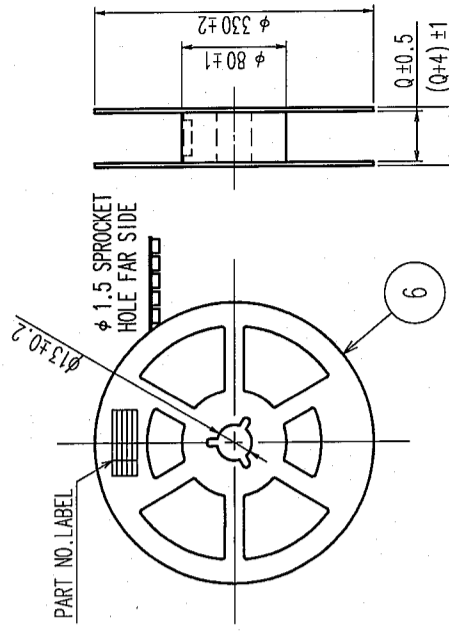
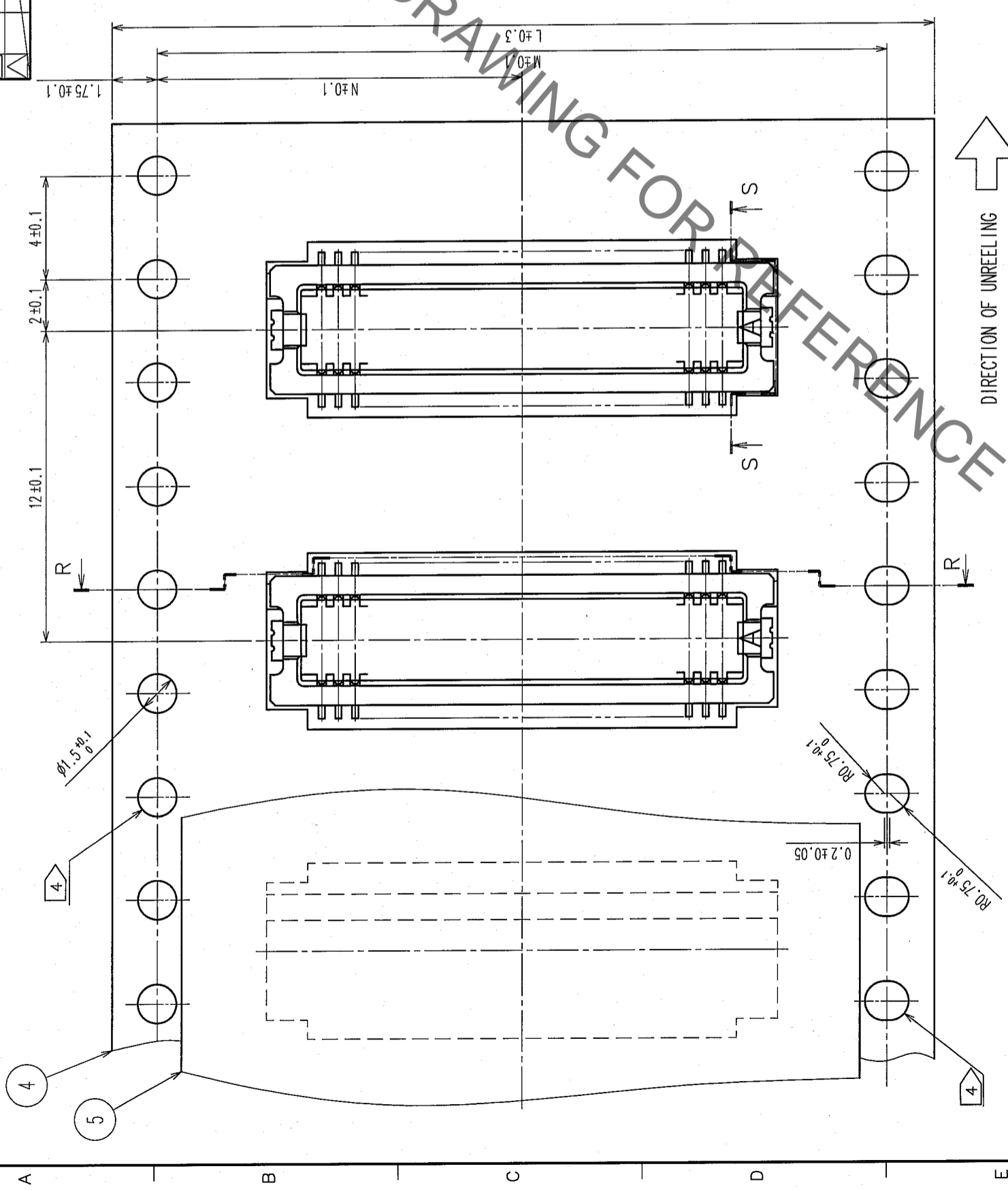
8

COUNT	DESCRIPTION OF REVISIONS	BY	CHKD	DATE

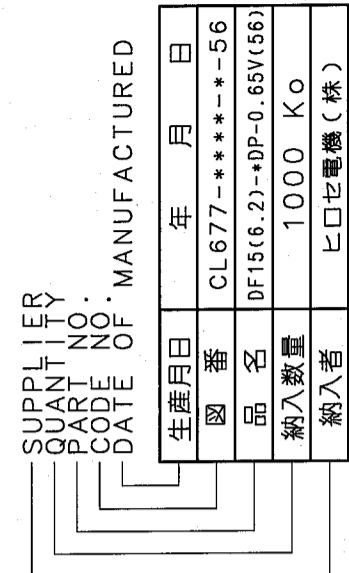
COUNT	DESCRIPTION OF REVISIONS	BY	CHKD	DATE

STYLE AND DIMENSION OF REEL (FREE)

R-R

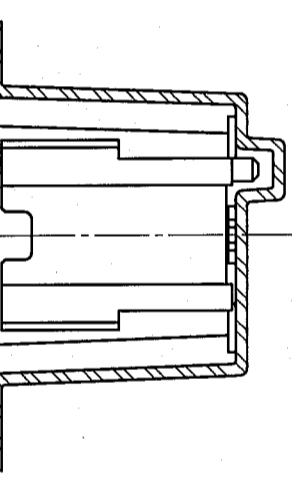


DETAIL OF PART NO. LABEL



- NOTES
- 1 REEL: 1000 CONNECTORS.
 2. AT THE BEGINNING OF THE REEL, 30 COMPONENTS SHALL BE EMPTY.
 3. AT THE END OF THE REEL, 20 COMPONENTS SHALL BE EMPTY.
 4. WHEN THE TAPE WIDTH IS 32mm, SPROCKET HOLES SHALL BE SET ON BOTH SIDES OF REEL AS SHOWN ON THIS DRAWING.
 5. PEEL FORCE REFERS TO JIS C 0806.

PART NO.	CODE NO.	L	M	N	P	Q
DF15(6.2)-20DP-0.65V(56)	CL677-0162-7-56	16.0	-	7.5	10.15	17.5
DF15(6.2)-30DP-0.65V(56)	CL677-0163-0-56	24.0	-	11.5	13.4	25.5
DF15(6.2)-40DP-0.65V(56)	CL677-0164-2-56	24.0	-	11.5	16.65	25.5
DF15(6.2)-50DP-0.65V(56)	CL677-0165-5-56	32.0	28.4	14.2	19.9	33.5



DRAWING NO.	EDC3-302781-01	PART NO.	DF15(6.2)-*DP-0.65V(56)
SCALE	FREE	CODE NO.	CL677-
UNITS	MM	DESIGNED	J. Michino
		CHECKED	A. Takahashi
		APPROVED	M. Nakamura
		RELEASED	

X-ON Electronics

Largest Supplier of Electrical and Electronic Components

Click to view similar products for [Board to Board & Mezzanine Connectors](#) category:

Click to view products by [Hirose](#) manufacturer:

Other Similar products are found below :

[589158040000018](#) [MDF7C-18P-2.54DSA\(55\)](#) [FCN-230C068-11](#) [FCN-268F012-G/BD](#) [FCN-268F036-G/BD](#) [FCN-268M012-G/0D](#) [FCN-268M024-G/1D](#) [FCN-723J004/1](#) [MIS-048-01-F-D-DP-K](#) [832-10-034-10-001000](#) [FX4C-80S-1.27DSA](#) [FCN-214Q030-G/0](#) [FCN-234P048-G/0](#) [FCN-235D050-G/C](#) [210-93-314-41-105000](#) [2-22603-0](#) [MDF7-40DP-2.54DSA\(55\)](#) [AXG720047](#) [MIT-114-03-F-D-K](#) [55323-1519](#) [DF33-2P-3.3DSA\(24\)](#) [YFT-20-05-H-03-SB-K](#) [503308-3040](#) [026-6203-PDB](#) [027-6203-PDB](#) [069159702701000](#) [10123981-102LF](#) [101A10019X](#) [55650-0588-C](#) [68682-310LF](#) [68684-306](#) [75140-7012](#) [87471-650](#) [YTW-30-07-H-Q-410-140](#) [FCN-268F024-G0D](#) [10124054-515LF](#) [68685-603](#) [8-1616154-3](#) [MIS-019-01-F-D](#) [FCN-268M024-G/3D](#) [FCN-268M036-G/BD](#) [20021832-06016C1LF](#) [KX15-20KLDL-E1000E](#) [AXE810124](#) [FCN-214J100-G/0](#) [FCN-230C068-E/S](#) [AXE812124](#) [AXE816124](#) [AXE720127](#) [354184](#)