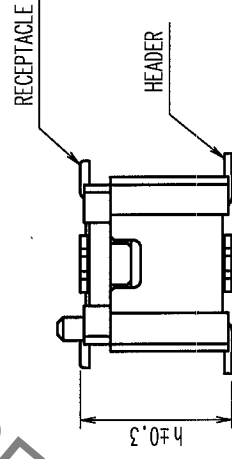
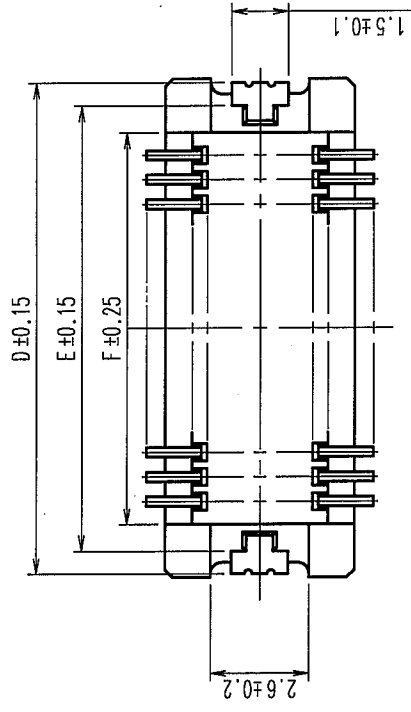
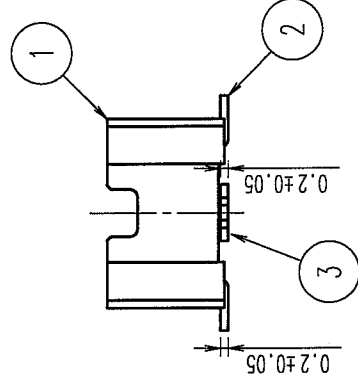
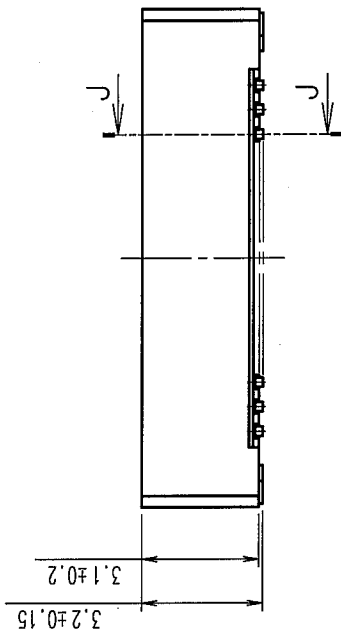
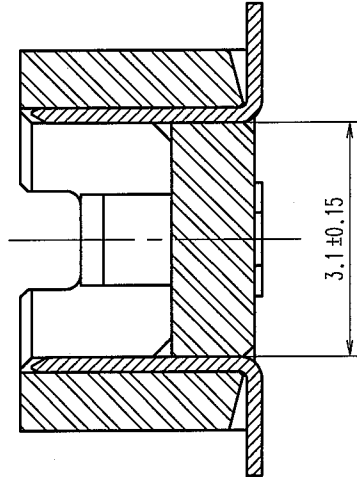
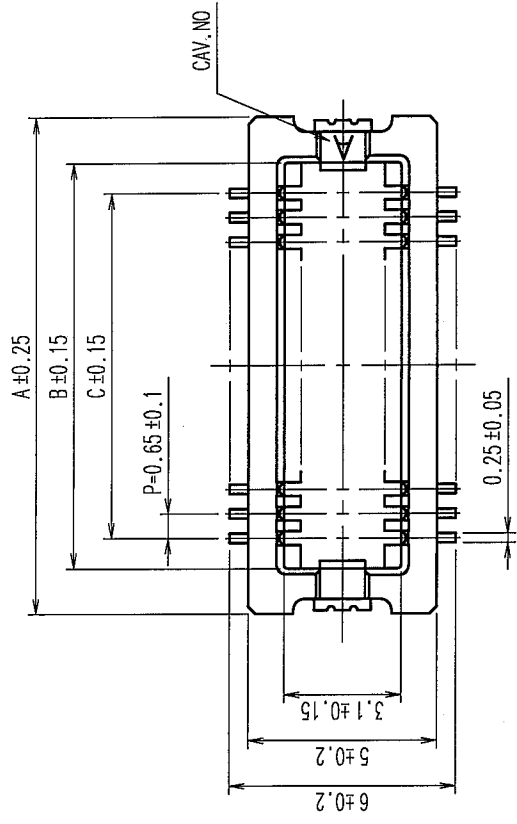


COUNT	DESCRIPTION OF REVISIONS	BY	CHKD	DATE	COUNT	DESCRIPTION OF REVISIONS	BY	CHKD	DATE
△					△				
△					△				
△					△				

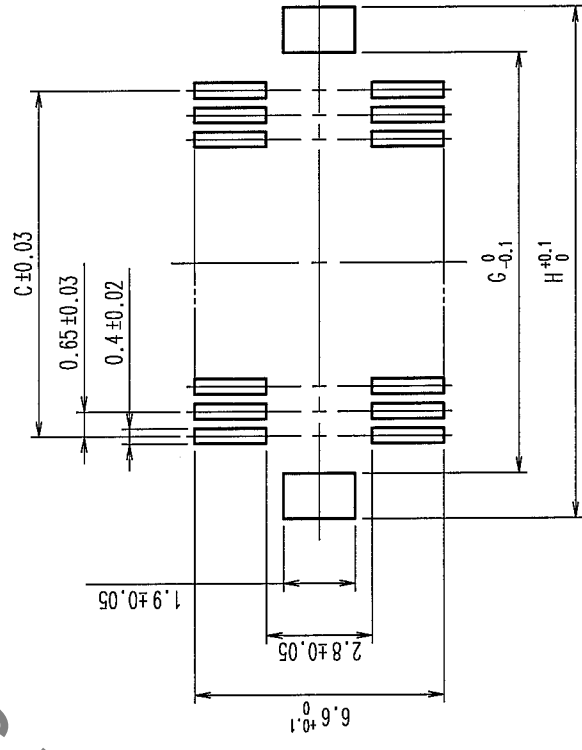
J-J (10:1)



MATED HIGHT (h)	RECEPTACLE NO.	HEADER NO.	DF15B(3.2)-*DP-0.65V(56)
	DF15#(0.8)-*DS-0.65V(**)	4	
	DF15#(1.8)-*DS-0.65V(**)	5	

PART NO.	CODE NO.	CONTACT	A	B	C	D	E	F	G	H
DF15B(3.2)-20DP-0.65V(56)	CL677-0102-5-56	20	9.85	7.45	5.85	9.65	8.45	7.05	7.85	10.25
DF15B(3.2)-30DP-0.65V(56)	CL677-0103-8-56	30	13.1	10.7	9.1	12.9	11.7	10.3	11.1	13.5
DF15B(3.2)-40DP-0.65V(56)	CL677-0104-0-56	40	16.35	13.95	12.35	16.15	14.95	13.55	14.35	16.75
DF15B(3.2)-50DP-0.65V(56)	CL677-0105-3-56	50	19.6	17.2	15.6	19.4	18.2	16.8	17.6	20.0

RECOMMENDED PATTERN



HRS DRAWING FOR REFERENCE

NOTES 1. LEAD CO-PLANARITY INCLUDE REINFORCED METAL FITTINGS SHALL BE 0.1 mm MAX.

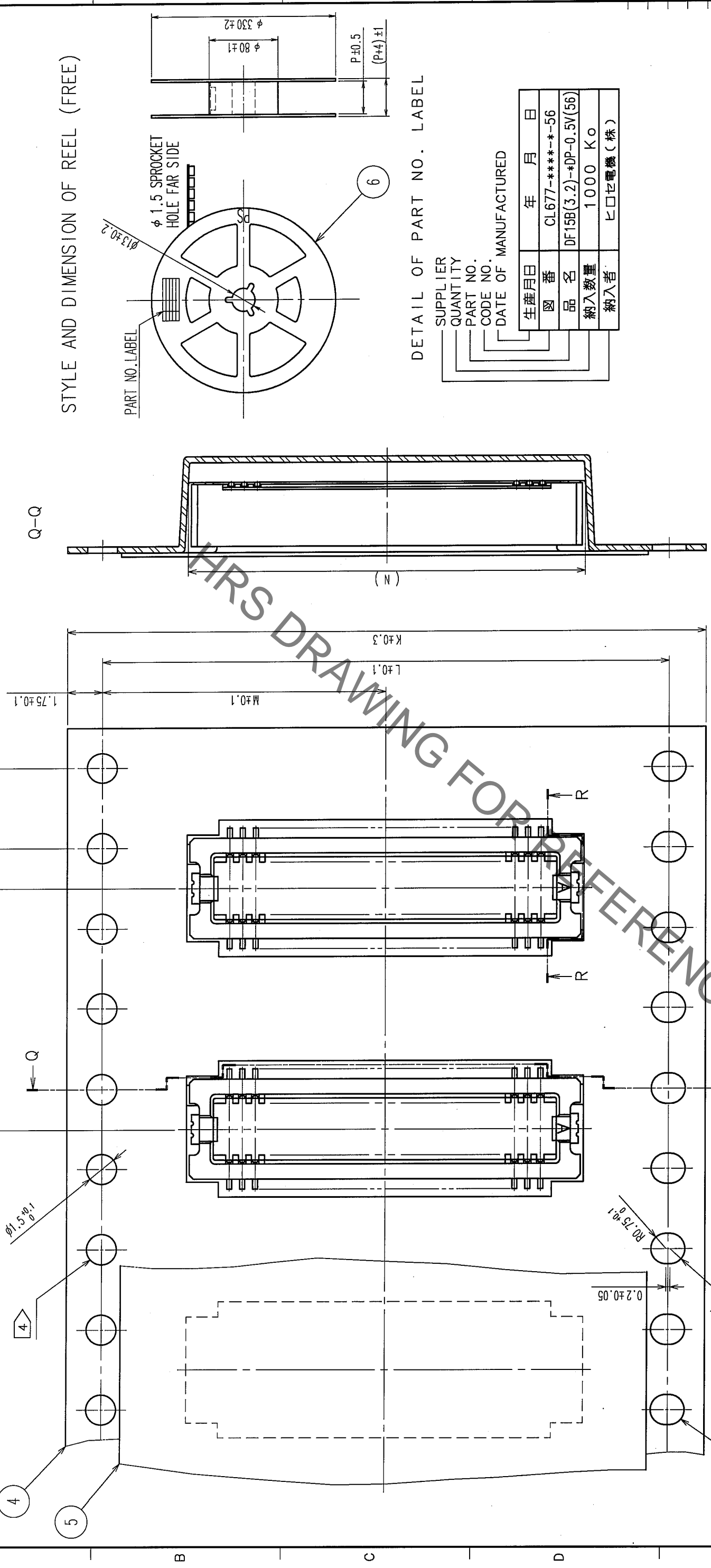
NO.	MATERIAL	FINISH, REMARKS	DESIGNED	CHECKED	APPROVED	RELEASED
2	PHOSPHOR BRONZE	CONTACT AREA: GOLD PLATED 0.1μm min LEAD AREA: TIN PLATED 1μm min UNDER PLATING: NICKEL PLATED 1μm min				
1	POLYAMIDE (PA6T)	NATURAL (BEIGE), UL94V-0				
6	PS	BLACK (PLASTIC REEL)				
5	POLYESTER	CLEAR (COVER TAPE)				
4	PS	CLEAR (EMBOSSED CARRIER TAPE)				
3	BRASS	SURFACE: TIN PLATED 1μm min UNDER PLATING: NICKEL PLATED 1μm min				

CODE NO. (OLD)	DRAWN	DESIGNED	CHECKED	APPROVED	RELEASED
	<i>A. Mochizuki</i>	<i>J. Mochizuki</i>	<i>T. Mochizuki</i>	<i>M. Mochizuki</i>	
	16.02.14 06.02.14 06.02.14				

DRAWING NO.	PART NO.
EDC3-302775-08	DF15B(3.2)-*DP-0.65V(56)
SCALE 5:1	CODE NO. CL677
UNITS mm	

TO	

COUNT	DESCRIPTION OF REVISIONS	BY	CHKD	DATE	COUNT	DESCRIPTION OF REVISIONS	BY	CHKD	DATE



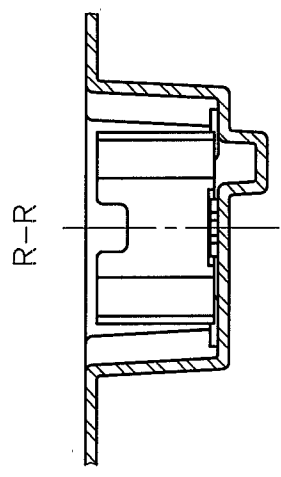
STYLE AND DIMENSION OF REEL (FREE)

DETAIL OF PART NO. LABEL

SUPPLIER	年 月 日
QUANTITY	CL677-***-56
PART NO.	DF15B(3.2)-*DP-0.5V(56)
CODE NO.	1000 Ko
DATE OF MANUFACTURED	ヒロセ電機(株)

- NOTES
- 2 : 1 REEL : 1000 CONNECTORS.
  - 3 : AT THE BEGINNING OF THE REEL, 30 COMPONENTS SHALL BE EMPTY.  
AT THE END OF THE REEL, 20 COMPONENTS SHALL BE EMPTY.
  - 4 : WHEN THE TAPE WIDTH IS 32mm, SPROCKET HOLES SHALL BE SET ON BOTH SIDES OF REEL AS SHOWN ON THIS DRAWING.
  - 5 : PEEL FORCE REFERS TO JIS C 0806.

DIRECTION OF UNREELING



PART No.	CODE No.	K	L	M	N	P
DF15B(3.2)-20DP-0.65V(56)	CL677-0102-5-56	16.0	-	7.5	10.15	17.5
DF15B(3.2)-30DP-0.65V(56)	CL677-0103-8-56	24.0	-	11.5	13.4	25.5
DF15B(3.2)-40DP-0.65V(56)	CL677-0104-0-56	24.0	-	11.5	16.65	25.5
DF15B(3.2)-50DP-0.65V(56)	CL677-0105-3-56	32.0	28.4	14.2	19.9	33.5

TO

CODE NO. (OLD)	DRAWN	DESIGNED	CHECKED	APPROVED	RELEASED
SCALE 5 : 1	A. Mochizuki		J. Michikawa	M. Ishimura	
UNITS mm	06.02.14		06.02.14	06.02.14	
DRAWING NO. EDC3-302775-08	PART NO. DF15B(3.2)-*DP-0.65V(56)		CODE NO. CL677		
HIROSE ELECTRIC CO., LTD.		FORM NO. 229			

## X-ON Electronics

Largest Supplier of Electrical and Electronic Components

*Click to view similar products for [Board to Board & Mezzanine Connectors](#) category:*

*Click to view products by [Hirose](#) manufacturer:*

Other Similar products are found below :

[589158040000018](#) [MDF7C-18P-2.54DSA\(55\)](#) [FCN-230C068-11](#) [FCN-268F012-G/BD](#) [FCN-268F036-G/BD](#) [FCN-268M012-G/0D](#) [FCN-268M024-G/1D](#) [FCN-723J004/1](#) [MIS-048-01-F-D-DP-K](#) [832-10-034-10-001000](#) [FX4C-80S-1.27DSA](#) [FCN-214Q030-G/0](#) [FCN-234P048-G/0](#) [FCN-235D050-G/C](#) [210-93-314-41-105000](#) [2-22603-0](#) [MDF7-40DP-2.54DSA\(55\)](#) [AXG720047](#) [MIT-114-03-F-D-K](#) [55323-1519](#) [DF33-2P-3.3DSA\(24\)](#) [YFT-20-05-H-03-SB-K](#) [503308-3040](#) [026-6203-PDB](#) [027-6203-PDB](#) [069159702701000](#) [10123981-102LF](#) [101A10019X](#) [55650-0588-C](#) [68682-310LF](#) [68684-306](#) [75140-7012](#) [87471-650](#) [YTW-30-07-H-Q-410-140](#) [FCN-268F024-G0D](#) [10124054-515LF](#) [68685-603](#) [8-1616154-3](#) [MIS-019-01-F-D](#) [FCN-268M024-G/3D](#) [FCN-268M036-G/BD](#) [20021832-06016C1LF](#) [KX15-20KLDL-E1000E](#) [AXE810124](#) [FCN-214J100-G/0](#) [FCN-230C068-E/S](#) [AXE812124](#) [AXE816124](#) [AXE720127](#) [354184](#)