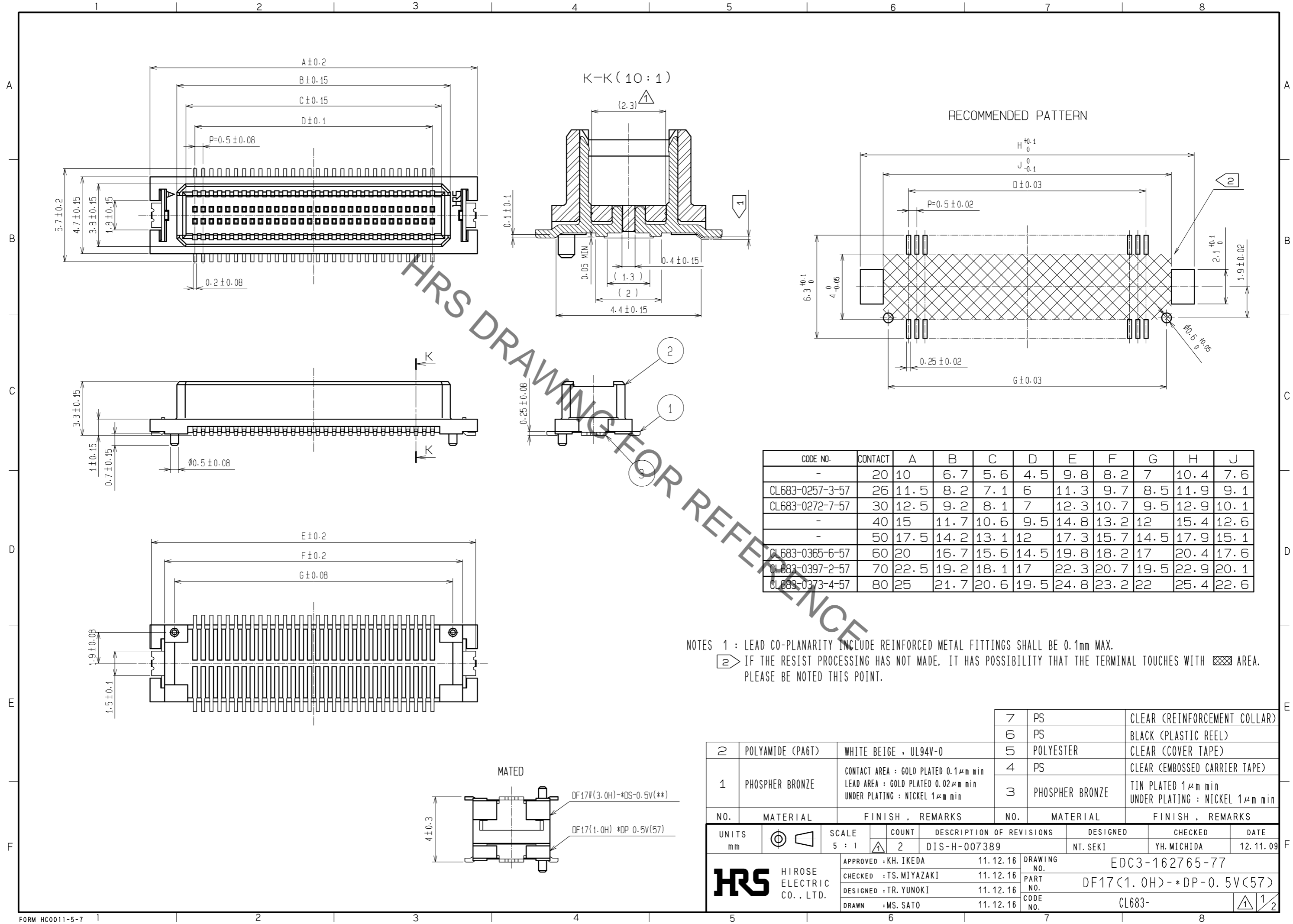


Aug.1.2021 Copyright 2021 HIROSE ELECTRIC CO., LTD. All Rights Reserved.
In case of consideration for using Automotive equipment / device which demand high reliability, kindly contact our sales window correspondents.



HRS DRAWING FOR REFERENCE

CODE NO.	CONTACT	A	B	C	D	E	F	G	H	J
-	20	10	6.7	5.6	4.5	9.8	8.2	7	10.4	7.6
CL683-0257-3-57	26	11.5	8.2	7.1	6	11.3	9.7	8.5	11.9	9.1
CL683-0272-7-57	30	12.5	9.2	8.1	7	12.3	10.7	9.5	12.9	10.1
-	40	15	11.7	10.6	9.5	14.8	13.2	12	15.4	12.6
-	50	17.5	14.2	13.1	12	17.3	15.7	14.5	17.9	15.1
CL683-0365-6-57	60	20	16.7	15.6	14.5	19.8	18.2	17	20.4	17.6
CL683-0397-2-57	70	22.5	19.2	18.1	17	22.3	20.7	19.5	22.9	20.1
CL683-0373-4-57	80	25	21.7	20.6	19.5	24.8	23.2	22	25.4	22.6

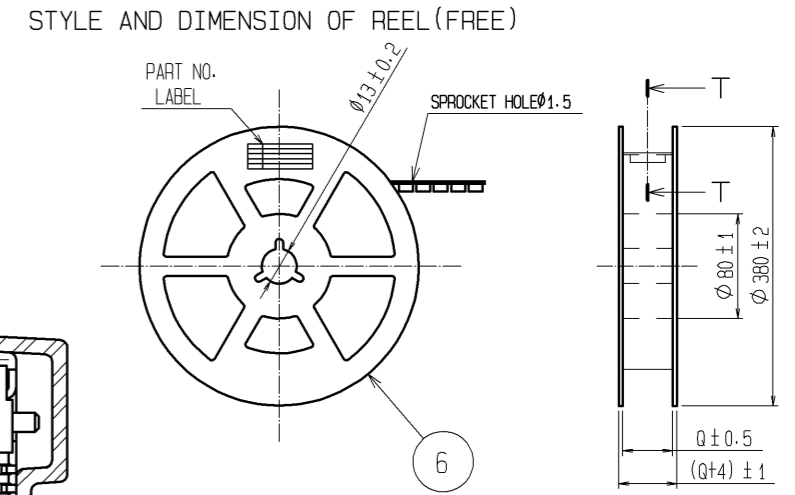
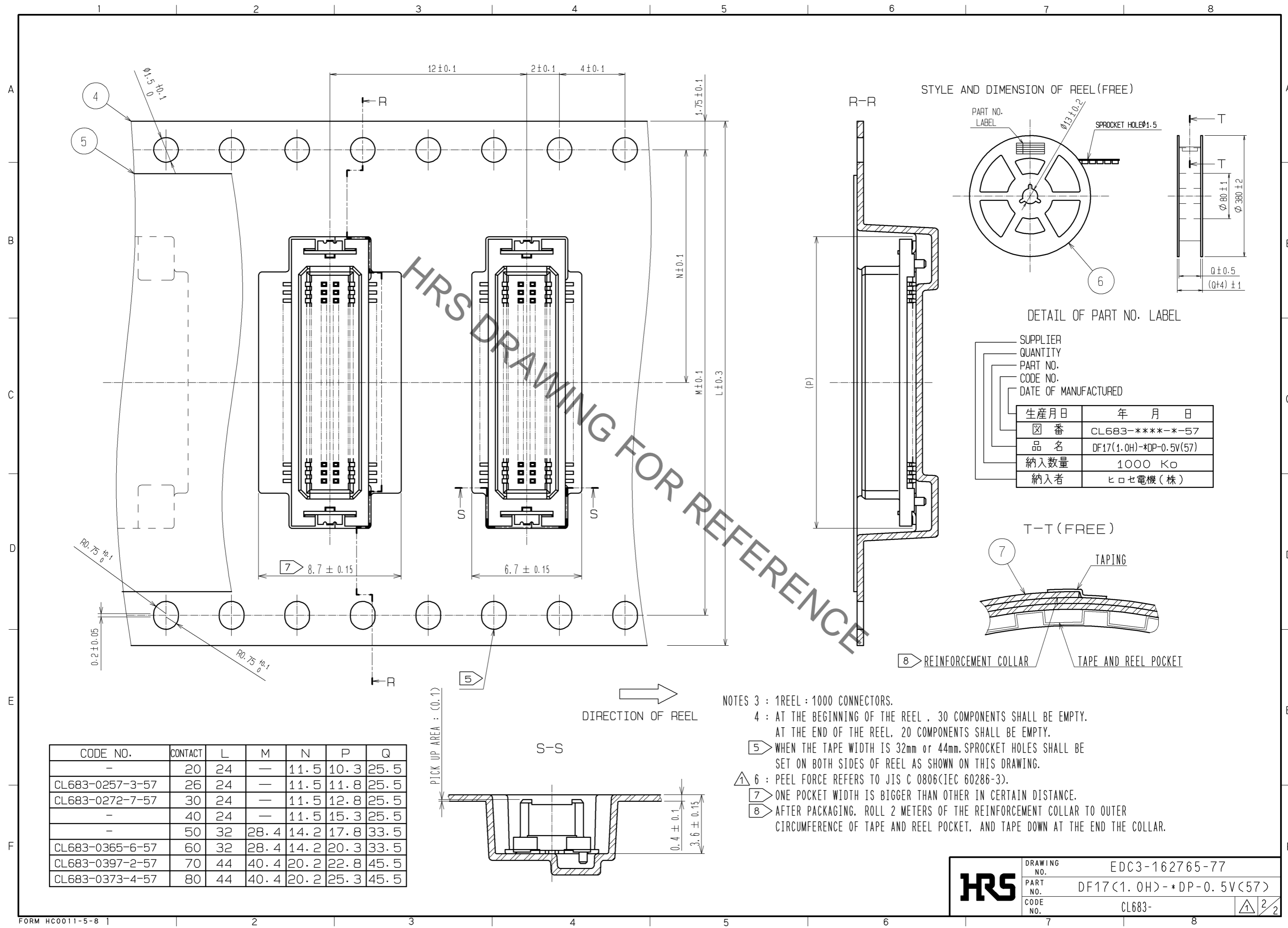
NOTES 1 : LEAD CO-PLANARITY INCLUDE REINFORCED METAL FITTINGS SHALL BE 0.1mm MAX.
 2 IF THE RESIST PROCESSING HAS NOT MADE, IT HAS POSSIBILITY THAT THE TERMINAL TOUCHES WITH AREA. PLEASE BE NOTED THIS POINT.

NO.	MATERIAL	FINISH . REMARKS	NO.	MATERIAL	FINISH . REMARKS
2	POLYAMIDE (PA6T)	WHITE BEIGE , UL94V-0	7	PS	CLEAR (REINFORCEMENT COLLAR)
1	PHOSPHER BRONZE	CONTACT AREA : GOLD PLATED 0.1µm min LEAD AREA : GOLD PLATED 0.02µm min UNDER PLATING : NICKEL 1µm min	6	PS	BLACK (PLASTIC REEL)
			5	POLYESTER	CLEAR (COVER TAPE)
			4	PS	CLEAR (EMBOSSED CARRIER TAPE)
			3	PHOSPHER BRONZE	TIN PLATED 1µm min UNDER PLATING : NICKEL 1µm min

UNITS	SCALE	COUNT	DESCRIPTION OF REVISIONS	DESIGNED	CHECKED	DATE
mm	5 : 1	2	DIS-H-007389	NT. SEKI	YH. MICHIDA	12.11.09

APPROVED	CHECKED	DESIGNED	DRAWN	DRAWING NO.	PART NO.	CODE NO.
KH. IKEDA	TS. MIYAZAKI	TR. YUNOKI	MS. SATO	EDC3-162765-77	DF17(1.0H)-*DP-0.5V(57)	CL683-

Aug.1.2021 Copyright 2021 HIROSE ELECTRIC CO., LTD. All Rights Reserved.
In case of consideration for using Automotive equipment / device which demand high reliability, kindly contact our sales window correspondents.

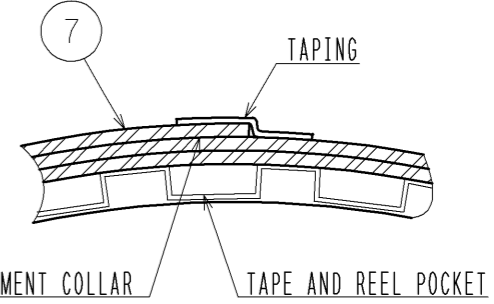


DETAIL OF PART NO. LABEL

SUPPLIER
QUANTITY
PART NO.
CODE NO.
DATE OF MANUFACTURED

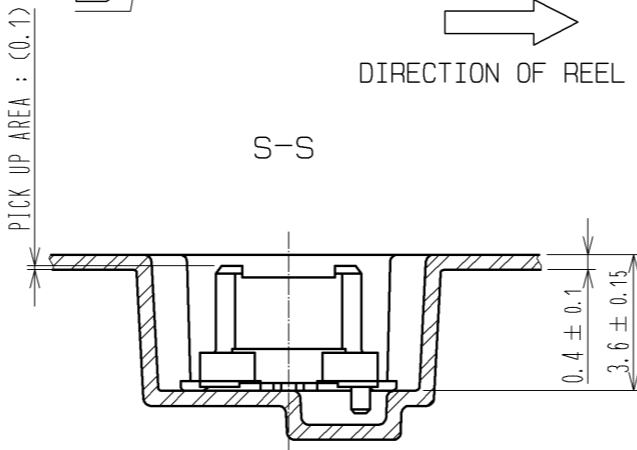
生産月日	年 月 日
<input checked="" type="checkbox"/> 番	CL683-****-*57
品名	DF17(1.0H)-*DP-0.5V(57)
納入数量	1000 K \square
納入者	ヒロセ電機(株)

T-T (FREE)



- NOTES 3 : 1 REEL : 1000 CONNECTORS.
4 : AT THE BEGINNING OF THE REEL , 30 COMPONENTS SHALL BE EMPTY.
AT THE END OF THE REEL, 20 COMPONENTS SHALL BE EMPTY.
5 WHEN THE TAPE WIDTH IS 32mm or 44mm. SPROCKET HOLES SHALL BE SET ON BOTH SIDES OF REEL AS SHOWN ON THIS DRAWING.
6 : PEEL FORCE REFERS TO JIS C 0806(IEC 60286-3).
7 ONE POCKET WIDTH IS BIGGER THAN OTHER IN CERTAIN DISTANCE.
8 AFTER PACKAGING, ROLL 2 METERS OF THE REINFORCEMENT COLLAR TO OUTER CIRCUMFERENCE OF TAPE AND REEL POCKET, AND TAPE DOWN AT THE END THE COLLAR.

CODE NO.	CONTACT	L	M	N	P	Q
-	20	24	-	11.5	10.3	25.5
CL683-0257-3-57	26	24	-	11.5	11.8	25.5
CL683-0272-7-57	30	24	-	11.5	12.8	25.5
-	40	24	-	11.5	15.3	25.5
-	50	32	28.4	14.2	17.8	33.5
CL683-0365-6-57	60	32	28.4	14.2	20.3	33.5
CL683-0397-2-57	70	44	40.4	20.2	22.8	45.5
CL683-0373-4-57	80	44	40.4	20.2	25.3	45.5



HRS

DRAWING NO.	EDC3-162765-77
PART NO.	DF17(1.0H)-*DP-0.5V(57)
CODE NO.	CL683-

1/2

X-ON Electronics

Largest Supplier of Electrical and Electronic Components

Click to view similar products for [Board to Board & Mezzanine Connectors](#) category:

Click to view products by [Hirose](#) manufacturer:

Other Similar products are found below :

[589158040000018](#) [MDF7C-18P-2.54DSA\(55\)](#) [FCN-230C068-11](#) [FCN-268F012-G/BD](#) [FCN-268F036-G/BD](#) [FCN-268M012-G/0D](#) [FCN-268M024-G/1D](#) [FCN-723J004/1](#) [MIS-048-01-F-D-DP-K](#) [832-10-034-10-001000](#) [FX4C-80S-1.27DSA](#) [FCN-214Q030-G/0](#) [FCN-234P048-G/0](#) [FCN-235D050-G/C](#) [210-93-314-41-105000](#) [2-22603-0](#) [MDF7-40DP-2.54DSA\(55\)](#) [AXG720047](#) [MIT-114-03-F-D-K](#) [55323-1519](#) [DF33-2P-3.3DSA\(24\)](#) [YFT-20-05-H-03-SB-K](#) [503308-3040](#) [026-6203-PDB](#) [027-6203-PDB](#) [069159702701000](#) [10123981-102LF](#) [101A10019X](#) [55650-0588-C](#) [68682-310LF](#) [68684-306](#) [75140-7012](#) [87471-650](#) [YTW-30-07-H-Q-410-140](#) [FCN-268F024-G0D](#) [10124054-515LF](#) [68685-603](#) [8-1616154-3](#) [MIS-019-01-F-D](#) [FCN-268M024-G/3D](#) [FCN-268M036-G/BD](#) [20021832-06016C1LF](#) [KX15-20KLDL-E1000E](#) [AXE810124](#) [FCN-214J100-G/0](#) [FCN-230C068-E/S](#) [AXE812124](#) [AXE816124](#) [AXE720127](#) [354184](#)