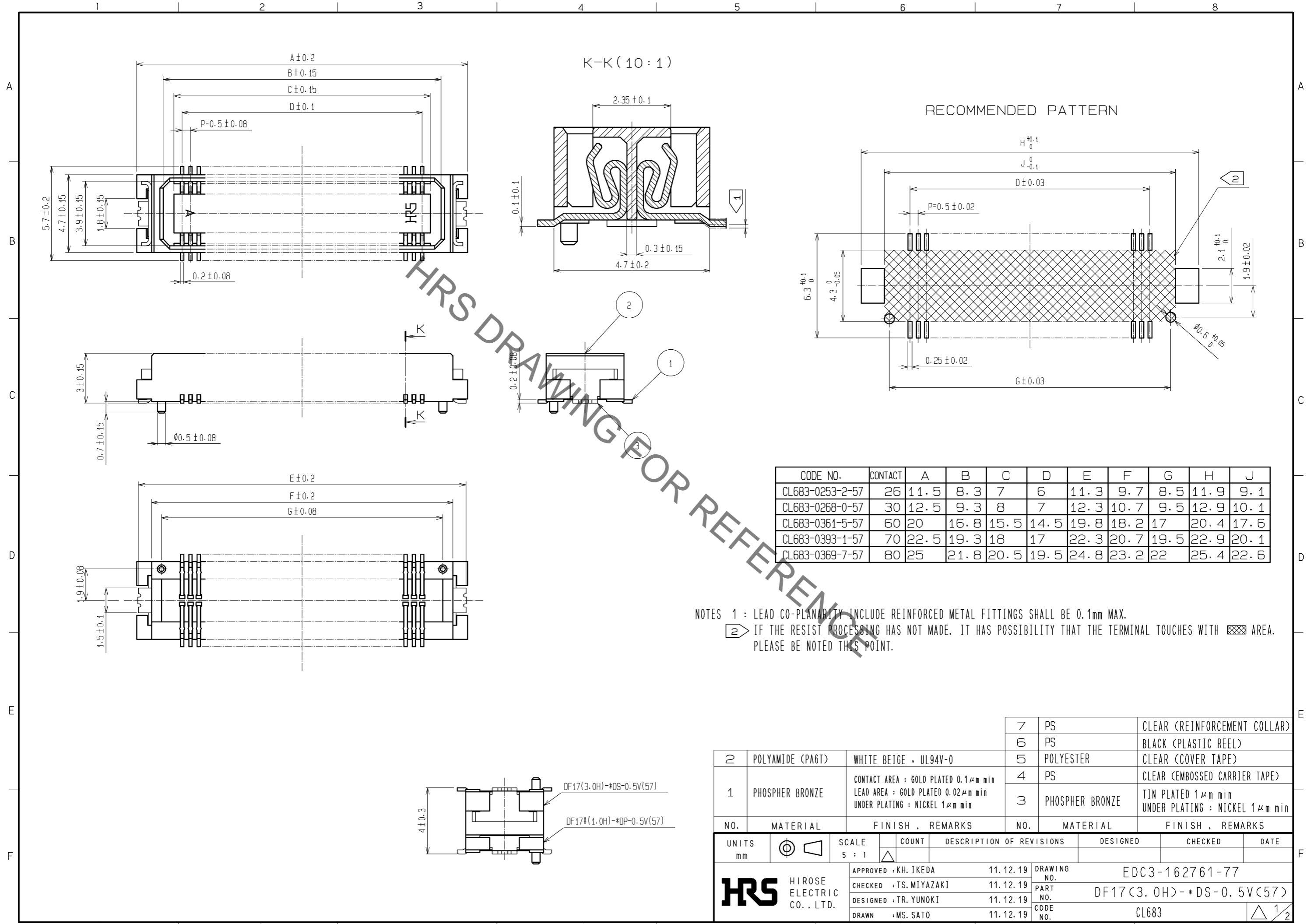


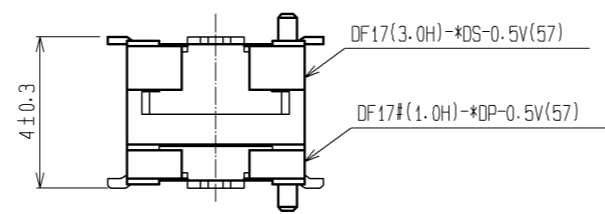
Aug.1.2021 Copyright 2021 HIROSE ELECTRIC CO., LTD. All Rights Reserved.  
 In case of consideration for using Automotive equipment / device which demand high reliability, kindly contact our sales window correspondents.



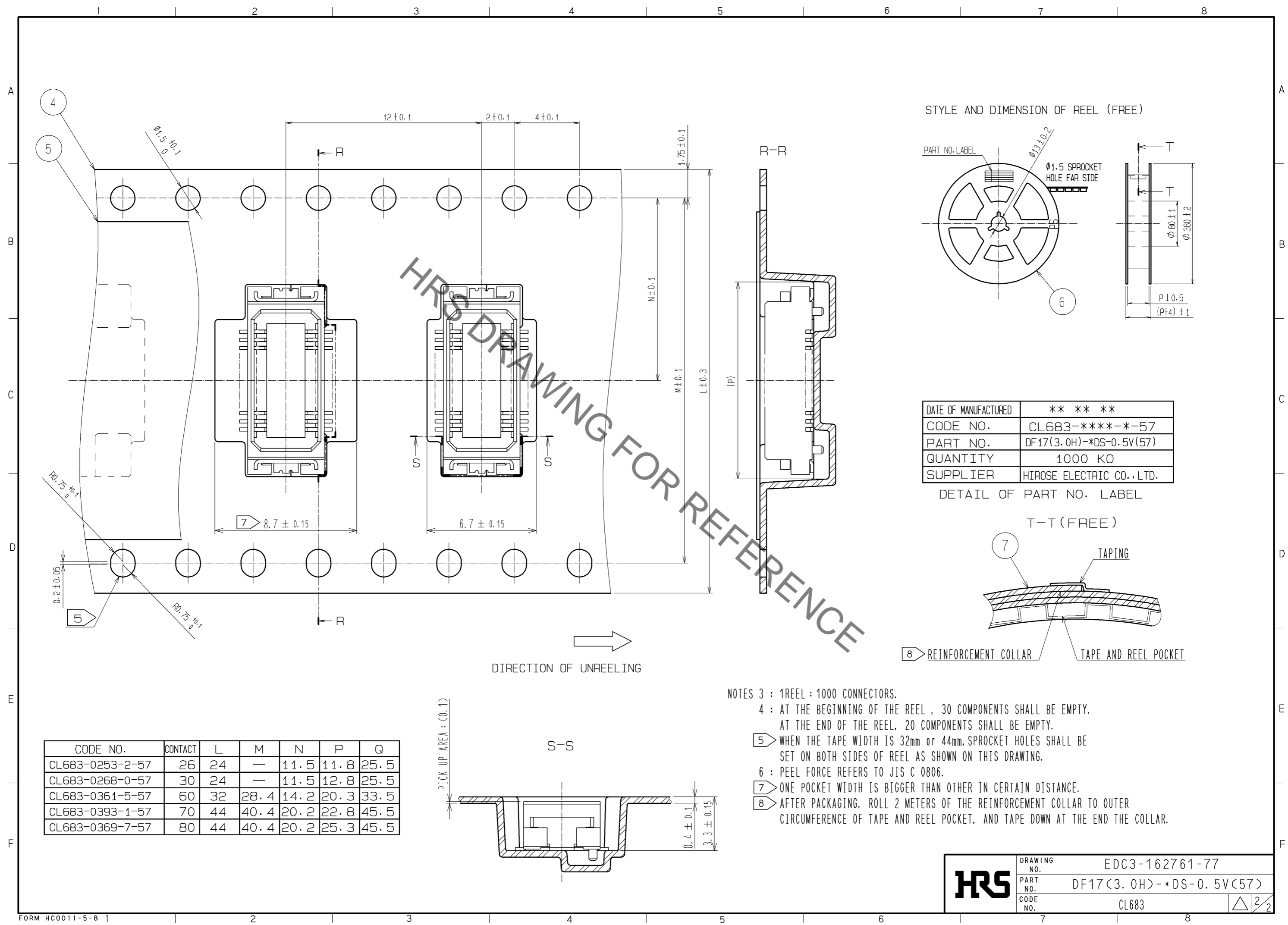
CODE NO.	CONTACT	A	B	C	D	E	F	G	H	J
CL683-0253-2-57	26	11.5	8.3	7	6	11.3	9.7	8.5	11.9	9.1
CL683-0268-0-57	30	12.5	9.3	8	7	12.3	10.7	9.5	12.9	10.1
CL683-0361-5-57	60	20	16.8	15.5	14.5	19.8	18.2	17	20.4	17.6
CL683-0393-1-57	70	22.5	19.3	18	17	22.3	20.7	19.5	22.9	20.1
CL683-0369-7-57	80	25	21.8	20.5	19.5	24.8	23.2	22	25.4	22.6

NO.	MATERIAL	FINISH . REMARKS	NO.	MATERIAL	FINISH . REMARKS
2	POLYAMIDE (PA6T)	WHITE BEIGE , UL94V-0	7	PS	CLEAR (REINFORCEMENT COLLAR)
1	PHOSPHER BRONZE	CONTACT AREA : GOLD PLATED 0.1μm min LEAD AREA : GOLD PLATED 0.02μm min UNDER PLATING : NICKEL 1μm min	6	PS	BLACK (PLASTIC REEL)
			5	POLYESTER	CLEAR (COVER TAPE)
			4	PS	CLEAR (EMBOSSED CARRIER TAPE)
			3	PHOSPHER BRONZE	TIN PLATED 1μm min UNDER PLATING : NICKEL 1μm min

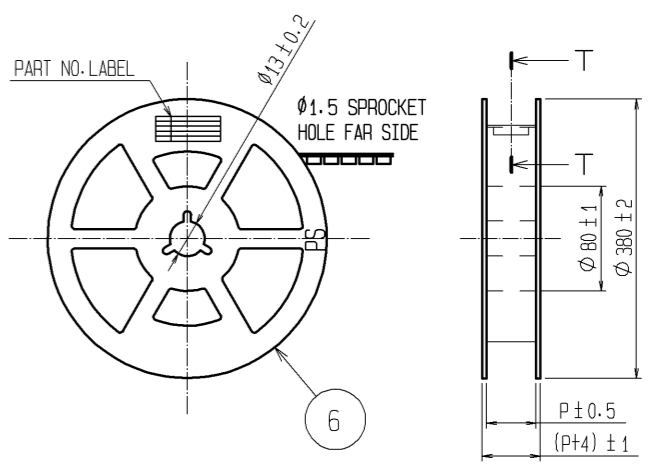
UNITS	SCALE	COUNT	DESCRIPTION OF REVISIONS	DESIGNED	CHECKED	DATE
mm	5 : 1	△				
HIROSE ELECTRIC CO., LTD.			APPROVED : KH. IKEDA 11.12.19 CHECKED : TS. MIYAZAKI 11.12.19 DESIGNED : TR. YUNOKI 11.12.19 DRAWN : MS. SATO 11.12.19	DRAWING NO. EDC3-162761-77 PART NO. DF17(3.0H)*DS-0.5V(57) CODE NO. CL683		



Aug.1.2021 Copyright 2021 HIROSE ELECTRIC CO., LTD. All Rights Reserved.  
In case of consideration for using Automotive equipment / device which demand high reliability, kindly contact our sales window correspondents.



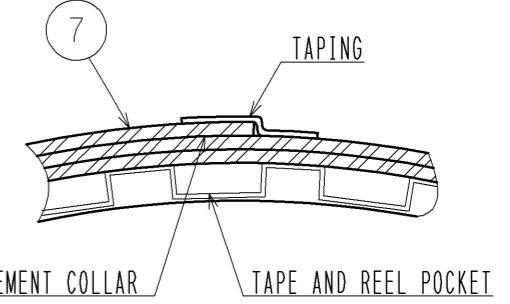
STYLE AND DIMENSION OF REEL (FREE)



DATE OF MANUFACTURED	** ** *
CODE NO.	CL683-****-*57
PART NO.	DF17(3.0H)-*DS-0.5V(57)
QUANTITY	1000 KO
SUPPLIER	HIROSE ELECTRIC CO., LTD.

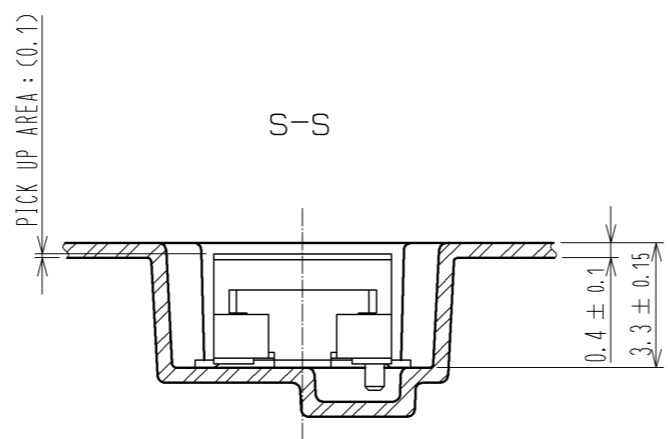
DETAIL OF PART NO. LABEL

T-T (FREE)



CODE NO.	CONTACT	L	M	N	P	Q
CL683-0253-2-57	26	24	—	11.5	11.8	25.5
CL683-0268-0-57	30	24	—	11.5	12.8	25.5
CL683-0361-5-57	60	32	28.4	14.2	20.3	33.5
CL683-0393-1-57	70	44	40.4	20.2	22.8	45.5
CL683-0369-7-57	80	44	40.4	20.2	25.3	45.5

DIRECTION OF UNREELING



- NOTES 3 : 1REEL : 1000 CONNECTORS.  
 4 : AT THE BEGINNING OF THE REEL , 30 COMPONENTS SHALL BE EMPTY.  
 AT THE END OF THE REEL, 20 COMPONENTS SHALL BE EMPTY.  
 5 WHEN THE TAPE WIDTH IS 32mm or 44mm, SPROCKET HOLES SHALL BE SET ON BOTH SIDES OF REEL AS SHOWN ON THIS DRAWING.  
 6 : PEEL FORCE REFERS TO JIS C 0806.  
 7 ONE POCKET WIDTH IS BIGGER THAN OTHER IN CERTAIN DISTANCE.  
 8 AFTER PACKAGING, ROLL 2 METERS OF THE REINFORCEMENT COLLAR TO OUTER CIRCUMFERENCE OF TAPE AND REEL POCKET, AND TAPE DOWN AT THE END THE COLLAR.

<b>HRS</b>	DRAWING NO.	EDC3-162761-77
	PART NO.	DF17(3.0H)-*DS-0.5V(57)
	CODE NO.	CL683
		△ 2/2

## X-ON Electronics

Largest Supplier of Electrical and Electronic Components

*Click to view similar products for [Board to Board & Mezzanine Connectors](#) category:*

*Click to view products by [Hirose](#) manufacturer:*

Other Similar products are found below :

[589158040000018](#) [FCN-230C068-11](#) [FCN-268F012-G/BD](#) [FCN-268F036-G/BD](#) [FCN-268M012-G/0D](#) [FCN-268M024-G/1D](#) [FCN-723J004/1](#) [MIS-048-01-F-D-DP-K](#) [832-10-034-10-001000](#) [FX4C-80S-1.27DSA](#) [FCN-214Q030-G/0](#) [FCN-234P048-G/0](#) [FCN-235D050-G/C](#) [2-22603-0](#) [AXG720047](#) [5031084030](#) [MIT-114-03-F-D-K](#) [55323-1519](#) [YFT-20-05-H-03-SB-K](#) [503308-3040](#) [026-6203-PDB](#) [027-6203-PDB](#) [069159702701000](#) [10123981-102LF](#) [101A10019X](#) [55650-0588-C](#) [68682-310LF](#) [68684-306](#) [75140-7012](#) [87471-650](#) [YTW-30-07-H-Q-410-140](#) [194261-1](#) [FCN-268F024-G0D](#) [10124054-515LF](#) [68685-603](#) [8-1616154-3](#) [MIS-019-01-F-D](#) [FCN-268M024-G/3D](#) [FCN-268M036-G/BD](#) [20021832-06016C1LF](#) [KX15-20KLDL-E1000E](#) [AXE810124](#) [FCN-214J100-G/0](#) [FCN-230C068-E/S](#) [AXE812124](#) [AXE816124](#) [AXE720127](#) [354184](#) [MIT-019-04-F-D-K](#) [P50-028-DDS-TG](#)