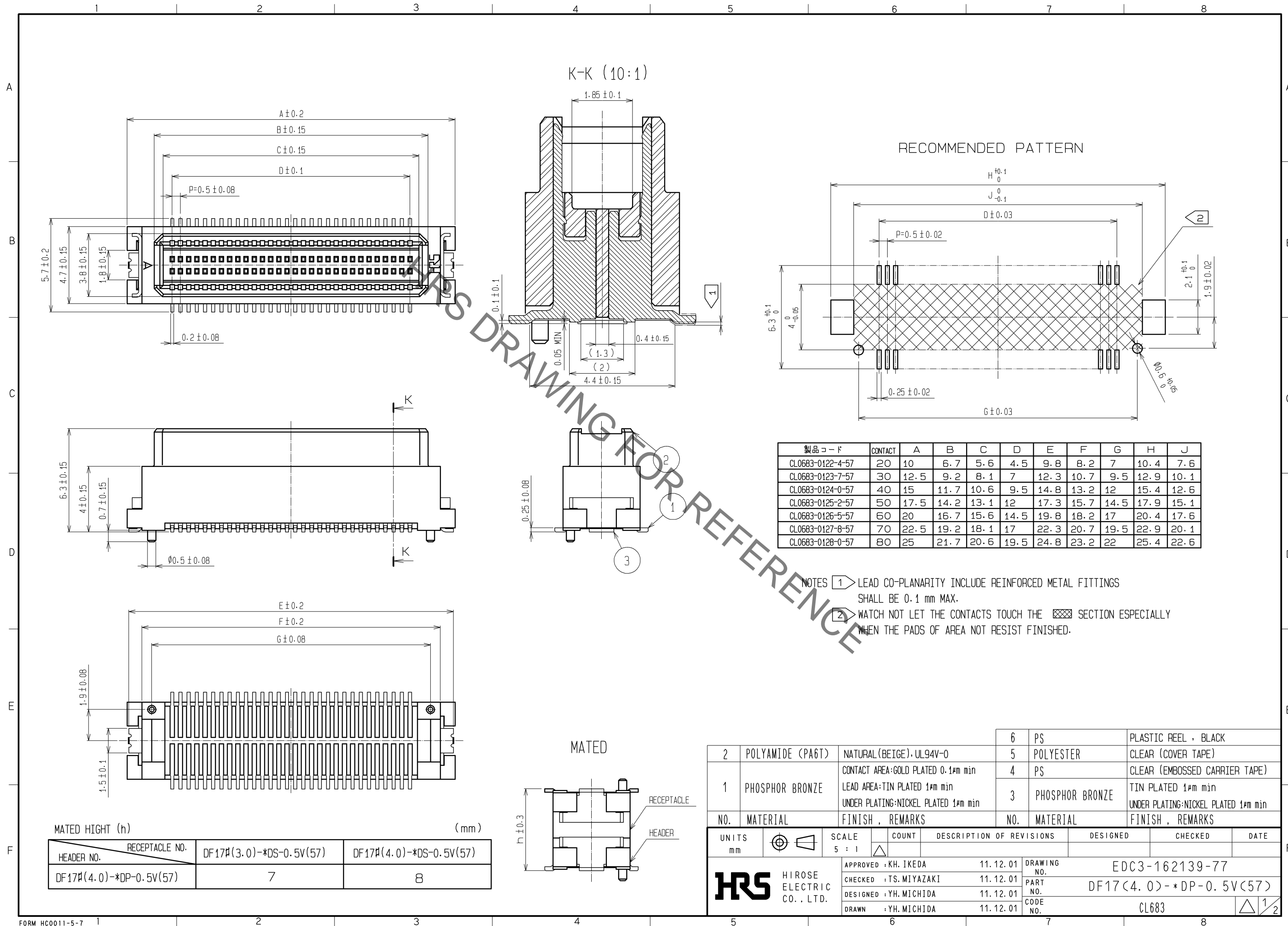


Aug.1.2021 Copyright 2021 HIROSE ELECTRIC CO., LTD. All Rights Reserved.
In case of consideration for using Automotive equipment / device which demand high reliability, kindly contact our sales window correspondents.

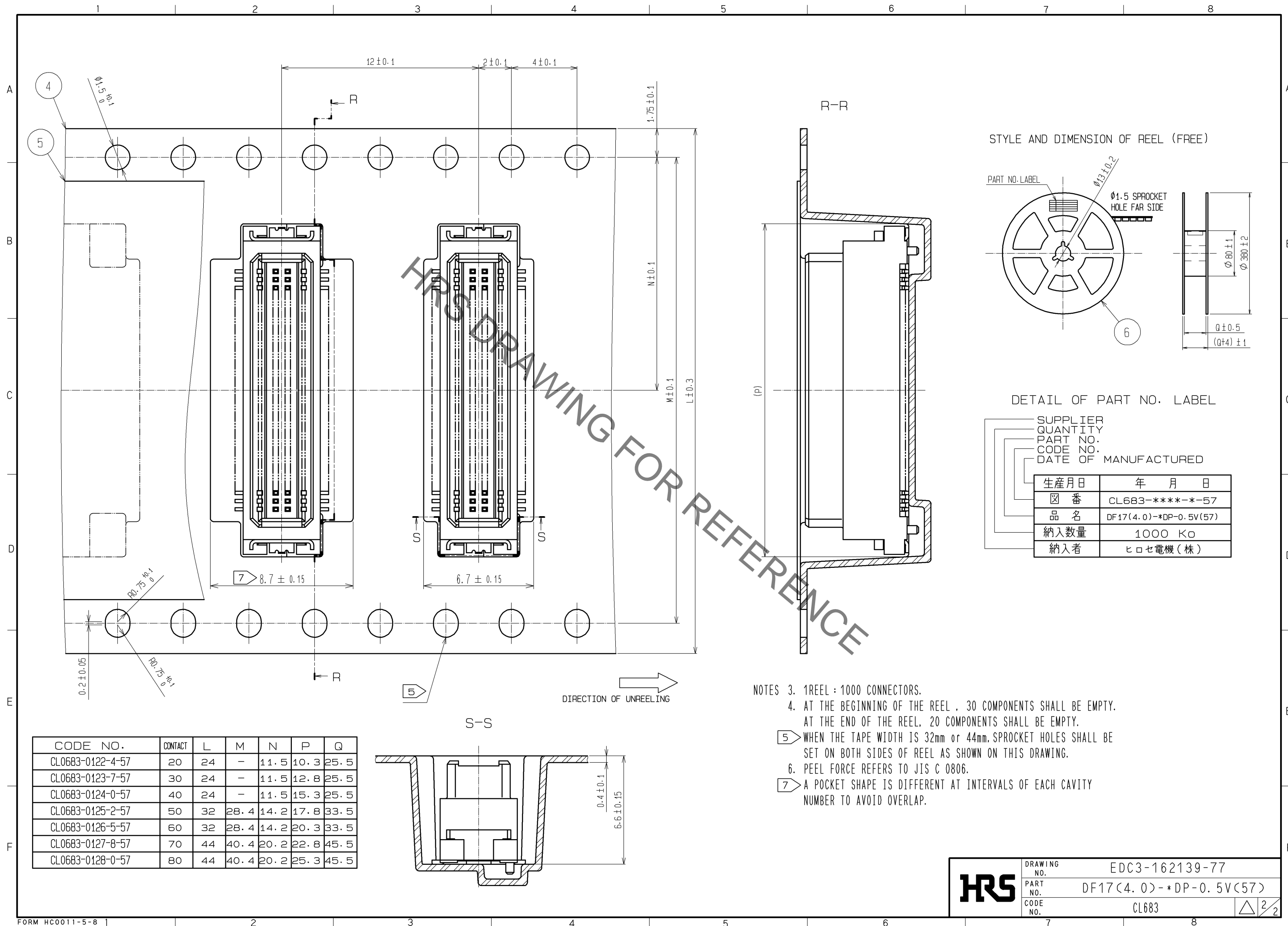


NO.	MATERIAL	FINISH , REMARKS	NO.	MATERIAL	FINISH , REMARKS
2	POLYAMIDE (PA6T)	NATURAL (BEIGE)・UL94V-0	6	PS	PLASTIC REEL , BLACK
1	PHOSPHOR BRONZE	CONTACT AREA:GOLD PLATED 0.1µm min LEAD AREA:TIN PLATED 1µm min UNDER PLATING:NICKEL PLATED 1µm min	5	POLYESTER	CLEAR (COVER TAPE)
			4	PS	CLEAR (EMBOSSD CARRIER TAPE)
			3	PHOSPHOR BRONZE	TIN PLATED 1µm min UNDER PLATING:NICKEL PLATED 1µm min

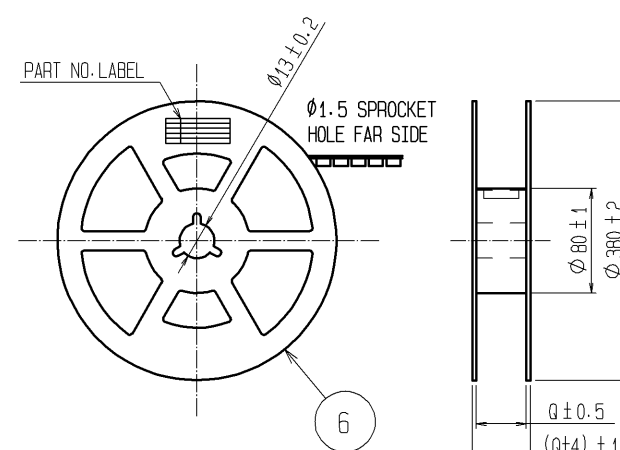
UNITS	SCALE	COUNT	DESCRIPTION OF REVISIONS	DESIGNED	CHECKED	DATE
mm	5 : 1	△	APPROVED : KH. IKEDA 11.12.01			
			CHECKED : TS. MIYAZAKI 11.12.01			
			DESIGNED : YH. MICHIDA 11.12.01			
			DRAWN : YH. MICHIDA 11.12.01			

DRAWING NO.	PART NO.	CODE NO.
EDC3-162139-77	DF17(4.0)-*DP-0.5V(57)	CL683

Aug.1.2021 Copyright 2021 HIROSE ELECTRIC CO., LTD. All Rights Reserved.
In case of consideration for using Automotive equipment / device which demand high reliability, kindly contact our sales window correspondents.



STYLE AND DIMENSION OF REEL (FREE)



DETAIL OF PART NO. LABEL

SUPPLIER	生産月日	年 月 日
QUANTITY	図 番	CL683-*****-57
PART NO.	品 名	DF17(4.0)-*DP-0.5V(57)
CODE NO.	納入数量	1000 KO
DATE OF MANUFACTURED	納入者	ヒロセ電機(株)

CODE NO.	CONTACT	L	M	N	P	Q
CL0683-0122-4-57	20	24	-	11.5	10.3	25.5
CL0683-0123-7-57	30	24	-	11.5	12.8	25.5
CL0683-0124-0-57	40	24	-	11.5	15.3	25.5
CL0683-0125-2-57	50	32	28.4	14.2	17.8	33.5
CL0683-0126-5-57	60	32	28.4	14.2	20.3	33.5
CL0683-0127-8-57	70	44	40.4	20.2	22.8	45.5
CL0683-0128-0-57	80	44	40.4	20.2	25.3	45.5

- NOTES
- 1 REEL : 1000 CONNECTORS.
 - AT THE BEGINNING OF THE REEL , 30 COMPONENTS SHALL BE EMPTY.
AT THE END OF THE REEL , 20 COMPONENTS SHALL BE EMPTY.
 - WHEN THE TAPE WIDTH IS 32mm or 44mm, SPROCKET HOLES SHALL BE SET ON BOTH SIDES OF REEL AS SHOWN ON THIS DRAWING.
 - PEEL FORCE REFERS TO JIS C 0806.
 - A POCKET SHAPE IS DIFFERENT AT INTERVALS OF EACH CAVITY NUMBER TO AVOID OVERLAP.

HRS	DRAWING NO.	EDC3-162139-77
	PART NO.	DF17(4.0)-*DP-0.5V(57)
	CODE NO.	CL683
		△ 2/2

X-ON Electronics

Largest Supplier of Electrical and Electronic Components

Click to view similar products for [Board to Board & Mezzanine Connectors](#) category:

Click to view products by [Hirose](#) manufacturer:

Other Similar products are found below :

[589158040000018](#) [MDF7C-18P-2.54DSA\(55\)](#) [FCN-230C068-11](#) [FCN-268F012-G/BD](#) [FCN-268F036-G/BD](#) [FCN-268M012-G/0D](#) [FCN-268M024-G/1D](#) [FCN-723J004/1](#) [MIS-048-01-F-D-DP-K](#) [832-10-034-10-001000](#) [FX4C-80S-1.27DSA](#) [FCN-214Q030-G/0](#) [FCN-234P048-G/0](#) [FCN-235D050-G/C](#) [210-93-314-41-105000](#) [2-22603-0](#) [MDF7-40DP-2.54DSA\(55\)](#) [AXG720047](#) [MIT-114-03-F-D-K](#) [55323-1519](#) [DF33-2P-3.3DSA\(24\)](#) [YFT-20-05-H-03-SB-K](#) [503308-3040](#) [026-6203-PDB](#) [027-6203-PDB](#) [069159702701000](#) [10123981-102LF](#) [101A10019X](#) [55650-0588-C](#) [68682-310LF](#) [68684-306](#) [75140-7012](#) [87471-650](#) [YTW-30-07-H-Q-410-140](#) [FCN-268F024-G0D](#) [10124054-515LF](#) [68685-603](#) [8-1616154-3](#) [MIS-019-01-F-D](#) [FCN-268M024-G/3D](#) [FCN-268M036-G/BD](#) [20021832-06016C1LF](#) [KX15-20KLDL-E1000E](#) [AXE810124](#) [FCN-214J100-G/0](#) [FCN-230C068-E/S](#) [AXE812124](#) [AXE816124](#) [AXE720127](#) [354184](#)