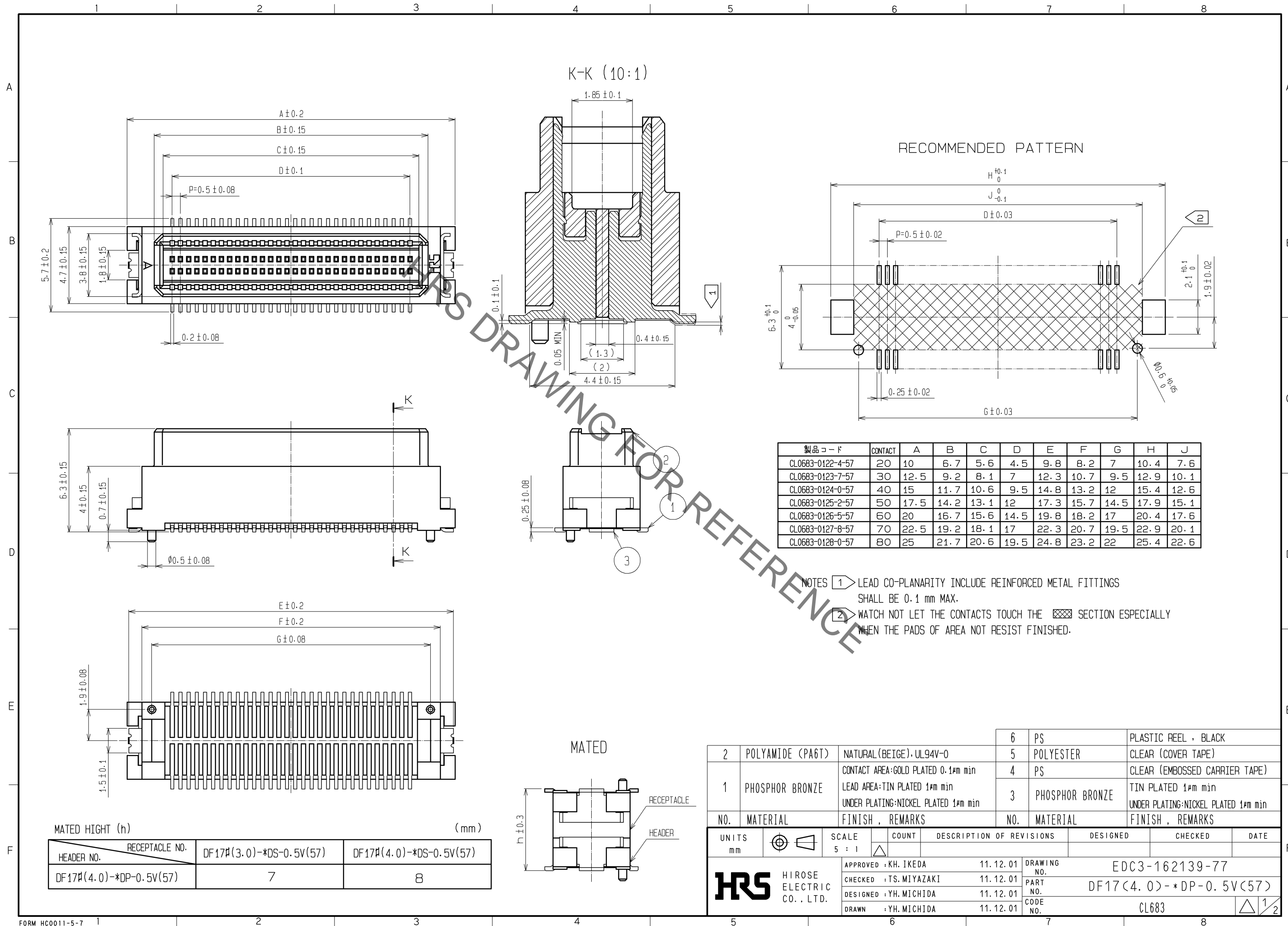


Aug.1.2021 Copyright 2021 HIROSE ELECTRIC CO., LTD. All Rights Reserved.  
In case of consideration for using Automotive equipment / device which demand high reliability, kindly contact our sales window correspondents.



製品コード	CONTACT	A	B	C	D	E	F	G	H	J
CL0683-0122-4-57	20	10	6.7	5.6	4.5	9.8	8.2	7	10.4	7.6
CL0683-0123-7-57	30	12.5	9.2	8.1	7	12.3	10.7	9.5	12.9	10.1
CL0683-0124-0-57	40	15	11.7	10.6	9.5	14.8	13.2	12	15.4	12.6
CL0683-0125-2-57	50	17.5	14.2	13.1	12	17.3	15.7	14.5	17.9	15.1
CL0683-0126-5-57	60	20	16.7	15.6	14.5	19.8	18.2	17	20.4	17.6
CL0683-0127-8-57	70	22.5	19.2	18.1	17	22.3	20.7	19.5	22.9	20.1
CL0683-0128-0-57	80	25	21.7	20.6	19.5	24.8	23.2	22	25.4	22.6

NOTES ① LEAD CO-PLANARITY INCLUDE REINFORCED METAL FITTINGS SHALL BE 0.1 mm MAX.  
② WATCH NOT LET THE CONTACTS TOUCH THE SECTION ESPECIALLY WHEN THE PADS OF AREA NOT RESIST FINISHED.

RECEPTACLE NO.		MATED HIGHT (h) (mm)	
DF17#(3.0)-*DS-0.5V(57)	7	DF17#(4.0)-*DS-0.5V(57)	8
DF17#(4.0)-*DP-0.5V(57)			

NO.	MATERIAL	FINISH , REMARKS	NO.	MATERIAL	FINISH , REMARKS
2	POLYAMIDE (PA6T)	NATURAL (BEIGE)・UL94V-0	6	PS	PLASTIC REEL , BLACK
1	PHOSPHOR BRONZE	CONTACT AREA:GOLD PLATED 0.1μm min	5	POLYESTER	CLEAR (COVER TAPE)
		LEAD AREA:TIN PLATED 1μm min	4	PS	CLEAR (EMBOSSED CARRIER TAPE)
		UNDER PLATING:NICKEL PLATED 1μm min	3	PHOSPHOR BRONZE	TIN PLATED 1μm min UNDER PLATING:NICKEL PLATED 1μm min

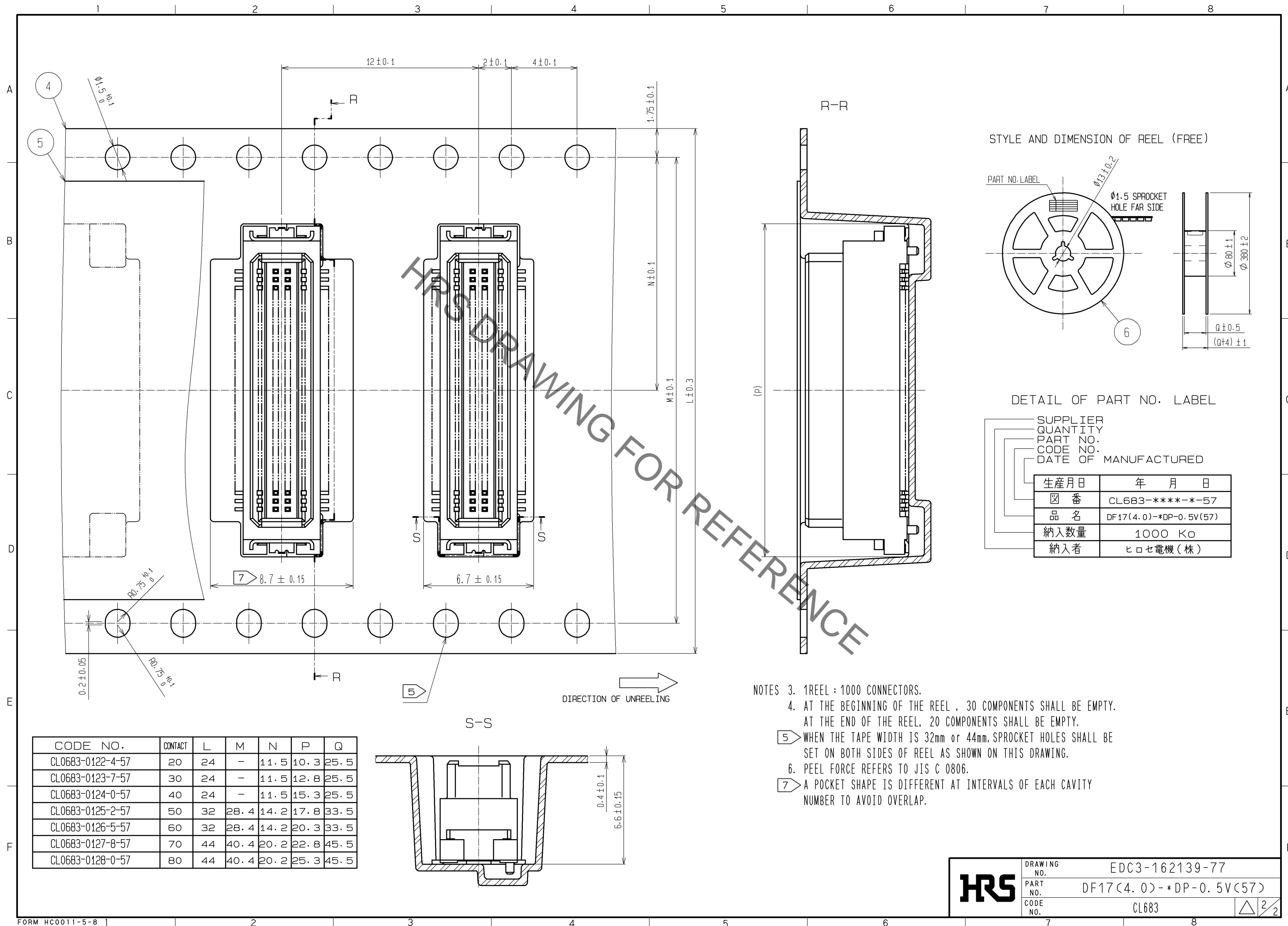
  

UNITS	SCALE	COUNT	DESCRIPTION OF REVISIONS	DESIGNED	CHECKED	DATE
mm	5 : 1	△	APPROVED : KH. IKEDA 11.12.01			
			CHECKED : TS. MIYAZAKI 11.12.01			
			DESIGNED : YH. MICHIDA 11.12.01			
			DRAWN : YH. MICHIDA 11.12.01			

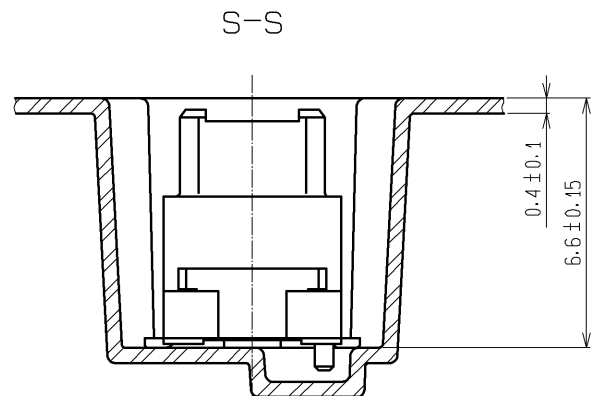
  

DRAWING NO.	PART NO.	CODE NO.
EDC3-162139-77	DF17(4.0)-*DP-0.5V(57)	CL683

Aug.1.2021 Copyright 2021 HIROSE ELECTRIC CO., LTD. All Rights Reserved.  
 In case of consideration for using Automotive equipment / device which demand high reliability, kindly contact our sales window correspondents.



CODE NO.	CONTACT	L	M	N	P	Q
CL0683-0122-4-57	20	24	-	11.5	10.3	25.5
CL0683-0123-7-57	30	24	-	11.5	12.8	25.5
CL0683-0124-0-57	40	24	-	11.5	15.3	25.5
CL0683-0125-2-57	50	32	28.4	14.2	17.8	33.5
CL0683-0126-5-57	60	32	28.4	14.2	20.3	33.5
CL0683-0127-8-57	70	44	40.4	20.2	22.8	45.5
CL0683-0128-0-57	80	44	40.4	20.2	25.3	45.5



- NOTES
- 1 REEL : 1000 CONNECTORS.
  - AT THE BEGINNING OF THE REEL , 30 COMPONENTS SHALL BE EMPTY.  
 AT THE END OF THE REEL, 20 COMPONENTS SHALL BE EMPTY.
  - WHEN THE TAPE WIDTH IS 32mm or 44mm, SPROCKET HOLES SHALL BE SET ON BOTH SIDES OF REEL AS SHOWN ON THIS DRAWING.
  - PEEL FORCE REFERS TO JIS C 0806.
  - A POCKET SHAPE IS DIFFERENT AT INTERVALS OF EACH CAVITY NUMBER TO AVOID OVERLAP.

<b>HRS</b>	DRAWING NO.	EDC3-162139-77
	PART NO.	DF17(4.0)-*DP-0.5V(57)
	CODE NO.	CL683
		△ 2/2

## X-ON Electronics

Largest Supplier of Electrical and Electronic Components

*Click to view similar products for [Board to Board & Mezzanine Connectors](#) category:*

*Click to view products by [Hirose](#) manufacturer:*

Other Similar products are found below :

[589158040000018](#) [MDF7C-18P-2.54DSA\(55\)](#) [FCN-230C068-11](#) [FCN-268F012-G/BD](#) [FCN-268F036-G/BD](#) [FCN-268M012-G/0D](#) [FCN-268M024-G/1D](#) [FCN-723J004/1](#) [MIS-048-01-F-D-DP-K](#) [832-10-034-10-001000](#) [FX4C-80S-1.27DSA](#) [FCN-214Q030-G/0](#) [FCN-234P048-G/0](#) [FCN-235D050-G/C](#) [210-93-314-41-105000](#) [2-22603-0](#) [MDF7-40DP-2.54DSA\(55\)](#) [AXG720047](#) [MIT-114-03-F-D-K](#) [55323-1519](#) [DF33-2P-3.3DSA\(24\)](#) [YFT-20-05-H-03-SB-K](#) [503308-3040](#) [026-6203-PDB](#) [027-6203-PDB](#) [069159702701000](#) [10123981-102LF](#) [101A10019X](#) [55650-0588-C](#) [68682-310LF](#) [68684-306](#) [75140-7012](#) [87471-650](#) [YTW-30-07-H-Q-410-140](#) [FCN-268F024-G0D](#) [10124054-515LF](#) [68685-603](#) [8-1616154-3](#) [MIS-019-01-F-D](#) [FCN-268M024-G/3D](#) [FCN-268M036-G/BD](#) [20021832-06016C1LF](#) [KX15-20KLDL-E1000E](#) [AXE810124](#) [FCN-214J100-G/0](#) [FCN-230C068-E/S](#) [AXE812124](#) [AXE816124](#) [AXE720127](#) [354184](#)