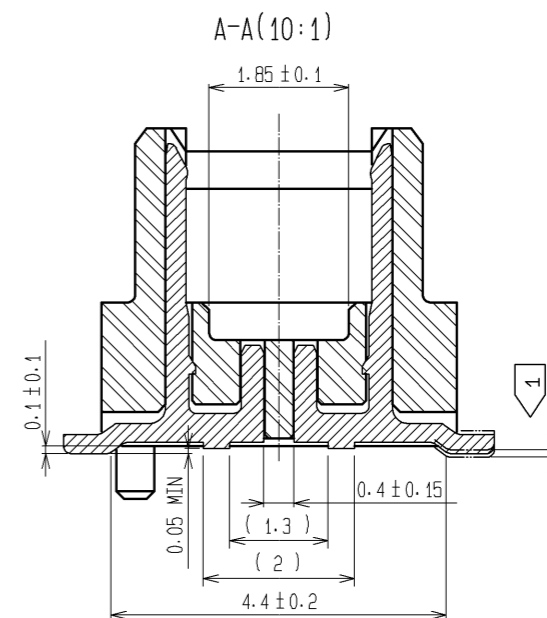
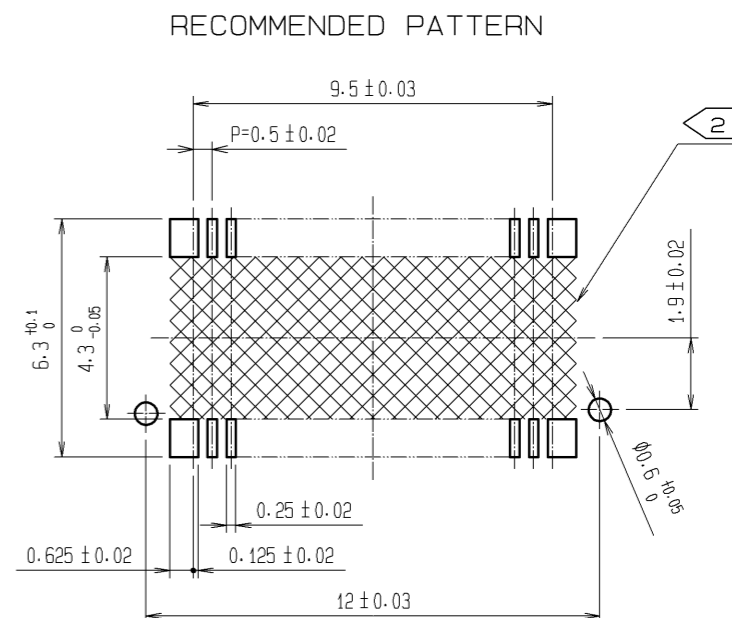
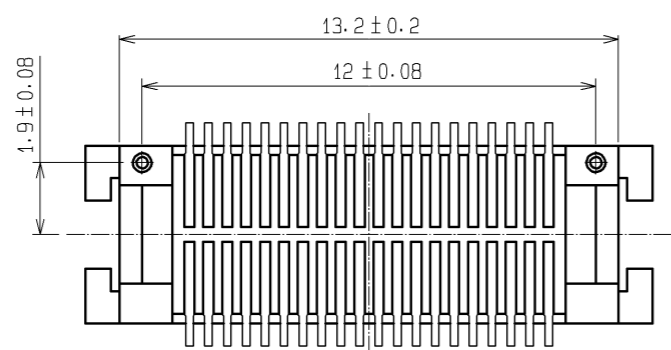
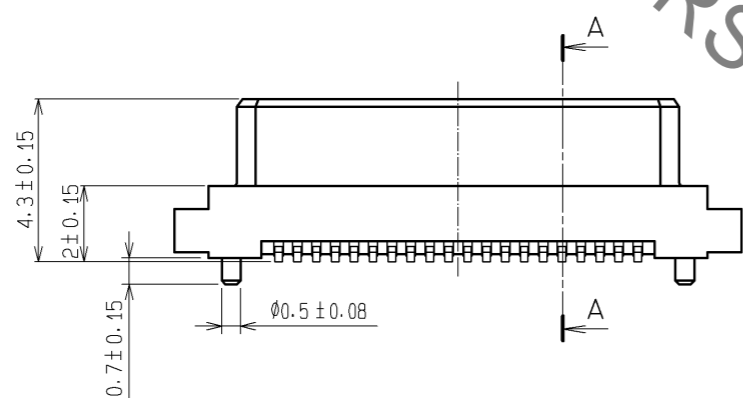
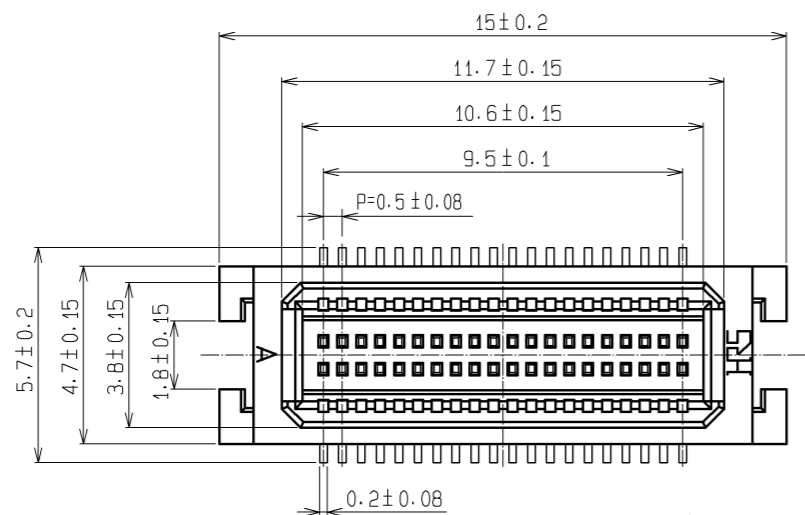


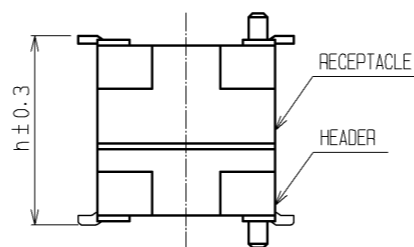
Sep.1.2021 Copyright 2021 HIROSE ELECTRIC CO., LTD. All Rights Reserved.  
In case of consideration for using Automotive equipment / device which demand high reliability, kindly contact our sales window correspondents.



HRS DRAWING FOR REFERENCE

NOTES ① LEAD CO-PLANARITY INCLUDE REINFORCED METAL FITTINGS SHALL BE 0.1mm MAX .  
② WHEN A PART MARKED WITH HAS A PATTERN BUT NO RESIST ON IT. TAKE CARE TO PREVENT THE CONNECTOR FROM TOUCHING IT.

MATED HIGHT (h)	RECEPTACLE NO.	
HEADER NO.	DF17#(3.0)-40DS-0.5V(57)	DF17#(4.0)-40DS-0.5V(57)
DF17A(2.0)-40DP-0.5V(57)	5	6



NO.	MATERIAL	FINISH . REMARKS	NO.	MATERIAL	FINISH . REMARKS
1	PHOSPHER BRONZE	CONTACT AREA:GOLD PLATED 0.1µm min LEAD AREA:TIN PLATED 1µm min UNDER PLATING:NICKEL PLATED 1µm min	5	PS	BLACK (PLASTIC REEL)
			4	POLYESTER	CLEAR (COVER TAPE)
			3	A-PET	CLEAR (EMBOSSD CARRIER TAPE)
			2	POLYAMIDE (PA6T)	WHITE BEIGE , UL94V-0

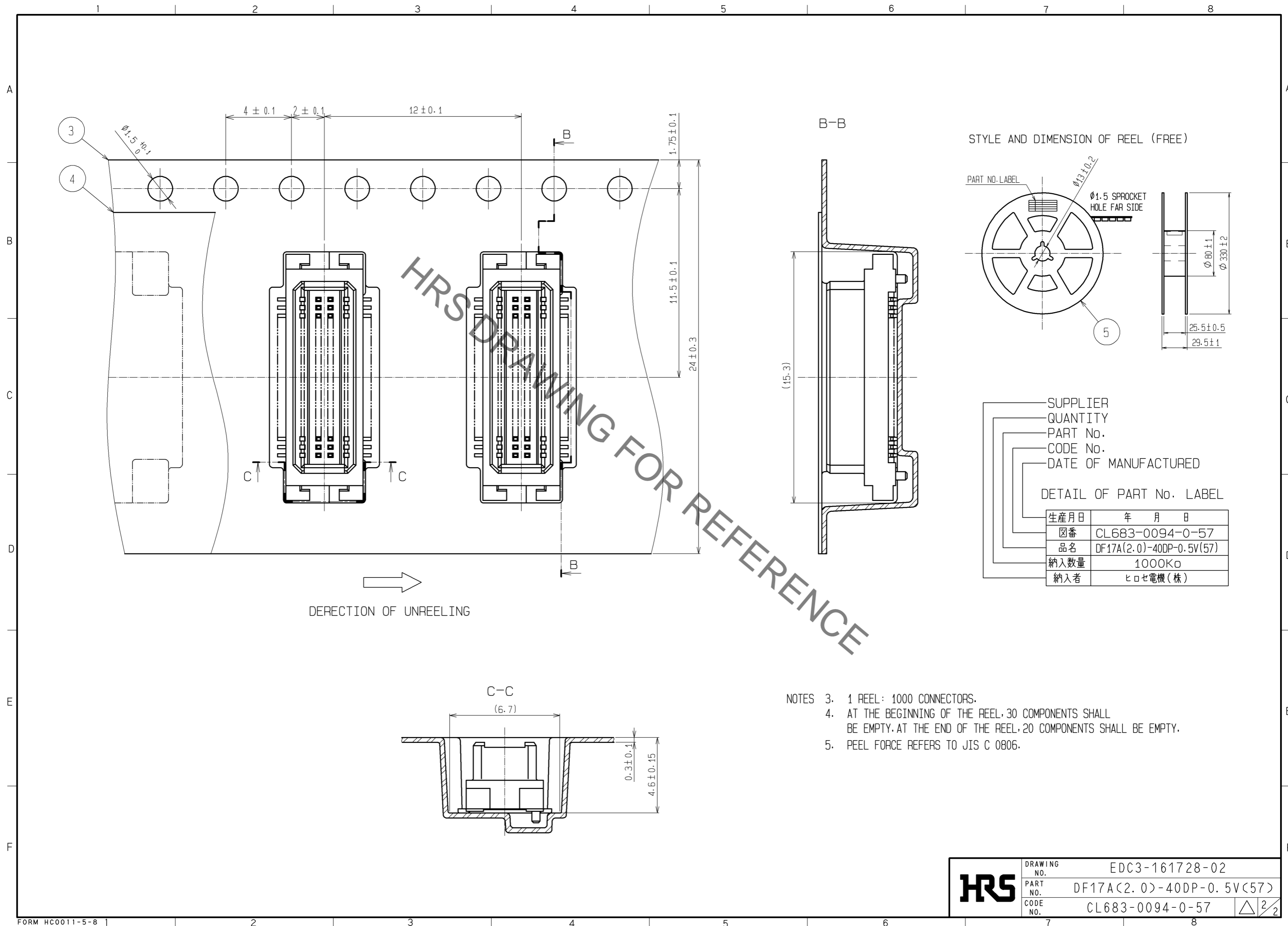
  

UNITS	SCALE	COUNT	DESCRIPTION OF REVISIONS	DESIGNED	CHECKED	DATE
mm	5 : 1	△	APPROVED : KH. IKEDA 08.09.11			
			CHECED : AR. TAKAHASHI 08.09.11			
			DESIGNED : TY. YAMASAKI 08.07.28			
			DRAWN : TY. YAMASAKI 08.07.28			

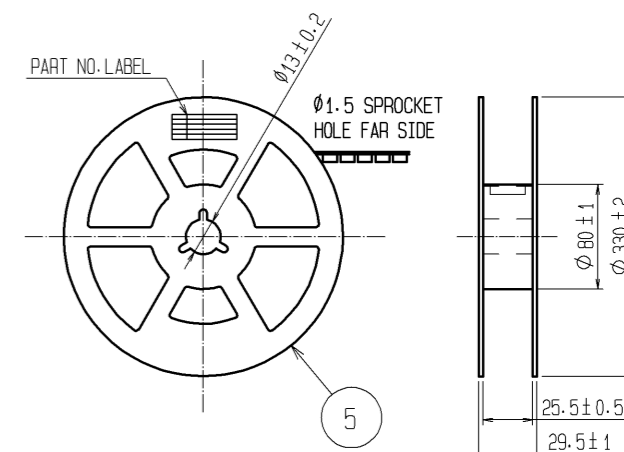
  

DRAWING NO.	PART NO.	CODE NO.
EDC3-161728-02	DF17A(2.0)-40DP-0.5V(57)	CL683-0094-0-57

Sep.1.2021 Copyright 2021 HIROSE ELECTRIC CO., LTD. All Rights Reserved.  
 In case of consideration for using Automotive equipment / device which demand high reliability, kindly contact our sales window correspondents.



STYLE AND DIMENSION OF REEL (FREE)



SUPPLIER  
 QUANTITY  
 PART No.  
 CODE No.  
 DATE OF MANUFACTURED

DETAIL OF PART No. LABEL

生産月日	年 月 日
図番	CL683-0094-0-57
品名	DF17A(2.0)-40DP-0.5V(57)
納入数量	1000K $\phi$
納入者	ヒロセ電機(株)

- NOTES
- 1 REEL: 1000 CONNECTORS.
  - AT THE BEGINNING OF THE REEL, 30 COMPONENTS SHALL BE EMPTY. AT THE END OF THE REEL, 20 COMPONENTS SHALL BE EMPTY.
  - PEEL FORCE REFERS TO JIS C 0806.

<b>HRS</b>	DRAWING NO.	EDC3-161728-02
	PART NO.	DF17A(2.0)-40DP-0.5V(57)
	CODE NO.	CL683-0094-0-57
		$\triangle$ 2/2

## X-ON Electronics

Largest Supplier of Electrical and Electronic Components

*Click to view similar products for [Board to Board & Mezzanine Connectors](#) category:*

*Click to view products by [Hirose](#) manufacturer:*

Other Similar products are found below :

[589158040000018](#) [MDF7C-18P-2.54DSA\(55\)](#) [FCN-230C068-11](#) [FCN-268F012-G/BD](#) [FCN-268F036-G/BD](#) [FCN-268M012-G/0D](#) [FCN-268M024-G/1D](#) [FCN-723J004/1](#) [MIS-048-01-F-D-DP-K](#) [832-10-034-10-001000](#) [FX4C-80S-1.27DSA](#) [FCN-214Q030-G/0](#) [FCN-234P048-G/0](#) [FCN-235D050-G/C](#) [210-93-314-41-105000](#) [2-22603-0](#) [MDF7-40DP-2.54DSA\(55\)](#) [AXG720047](#) [MIT-114-03-F-D-K](#) [55323-1519](#) [DF33-2P-3.3DSA\(24\)](#) [YFT-20-05-H-03-SB-K](#) [503308-3040](#) [026-6203-PDB](#) [027-6203-PDB](#) [069159702701000](#) [10123981-102LF](#) [101A10019X](#) [55650-0588-C](#) [68682-310LF](#) [68684-306](#) [75140-7012](#) [87471-650](#) [YTW-30-07-H-Q-410-140](#) [FCN-268F024-G0D](#) [10124054-515LF](#) [68685-603](#) [8-1616154-3](#) [MIS-019-01-F-D](#) [FCN-268M024-G/3D](#) [FCN-268M036-G/BD](#) [20021832-06016C1LF](#) [KX15-20KLDL-E1000E](#) [AXE810124](#) [FCN-214J100-G/0](#) [FCN-230C068-E/S](#) [AXE812124](#) [AXE816124](#) [AXE720127](#) [354184](#)