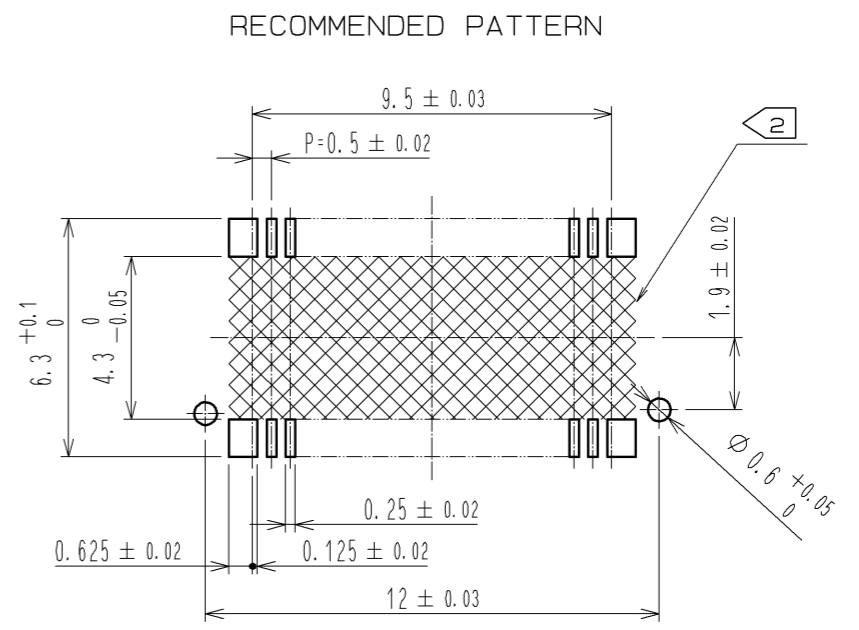
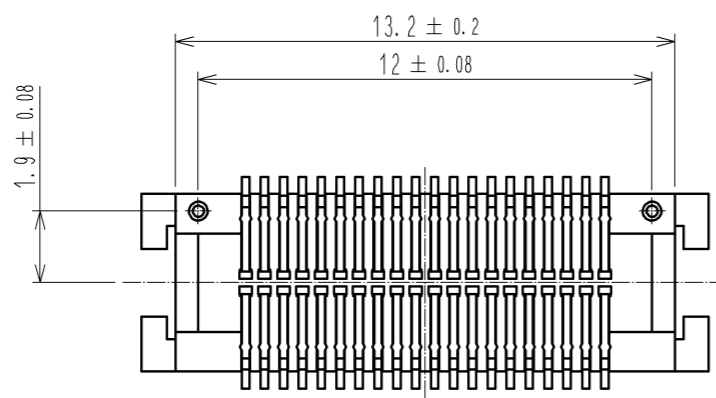
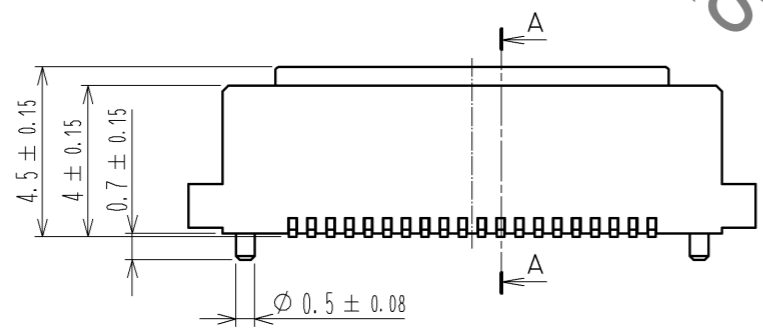
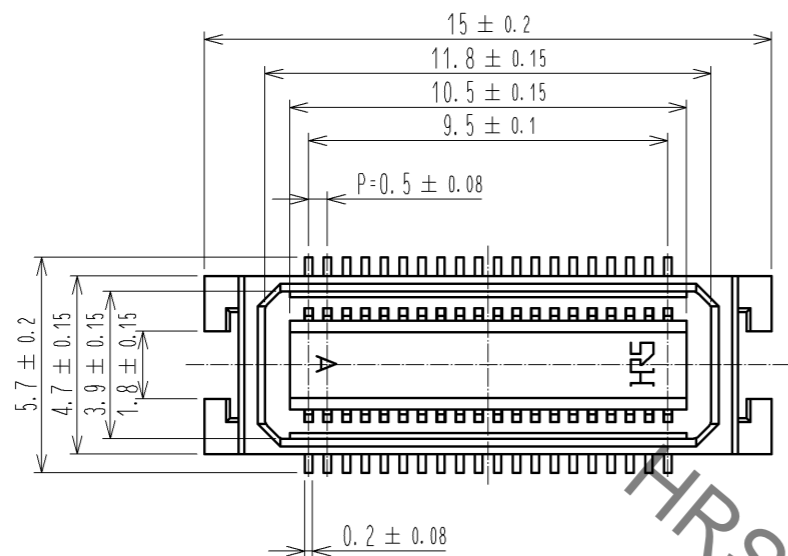
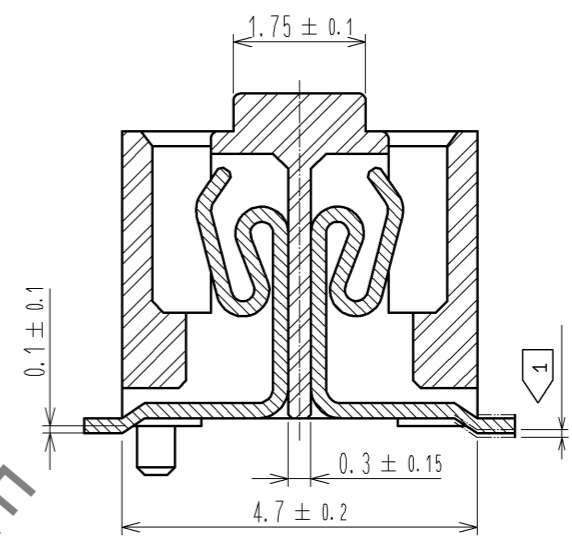


Sep.1.2021 Copyright 2021 HIROSE ELECTRIC CO., LTD. All Rights Reserved.
In case of consideration for using Automotive equipment / device which demand high reliability, kindly contact our sales window correspondents.



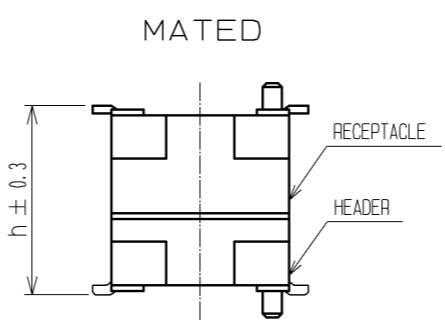
A-A (10:1)



HRS DRAWING FOR REFERENCE

- NOTES 1: LEAD CO-PLANARITY INCLUDE REINFORCED METAL FITTINGS SHALL BE 0.1mm MAX.
2: WHEN A PART MARKED WITH [Pattern] HAS A PATTERN BUT NO RESIST ON IT. TAKE CARE TO PREVENT THE CONNECTOR FROM TOUCHING IT.

MATED HIGHT (h)	RECEPTACLE NO.
HEADER NO.	DF17A(4.0)-40DS-0.5V(57)
DF17#(2.0)-40DP-0.5V(57)	6
DF17#(4.0)-40DP-0.5V(57)	8

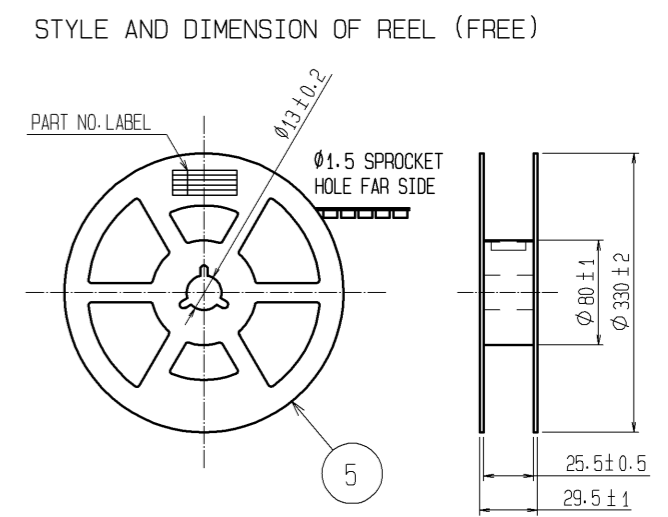
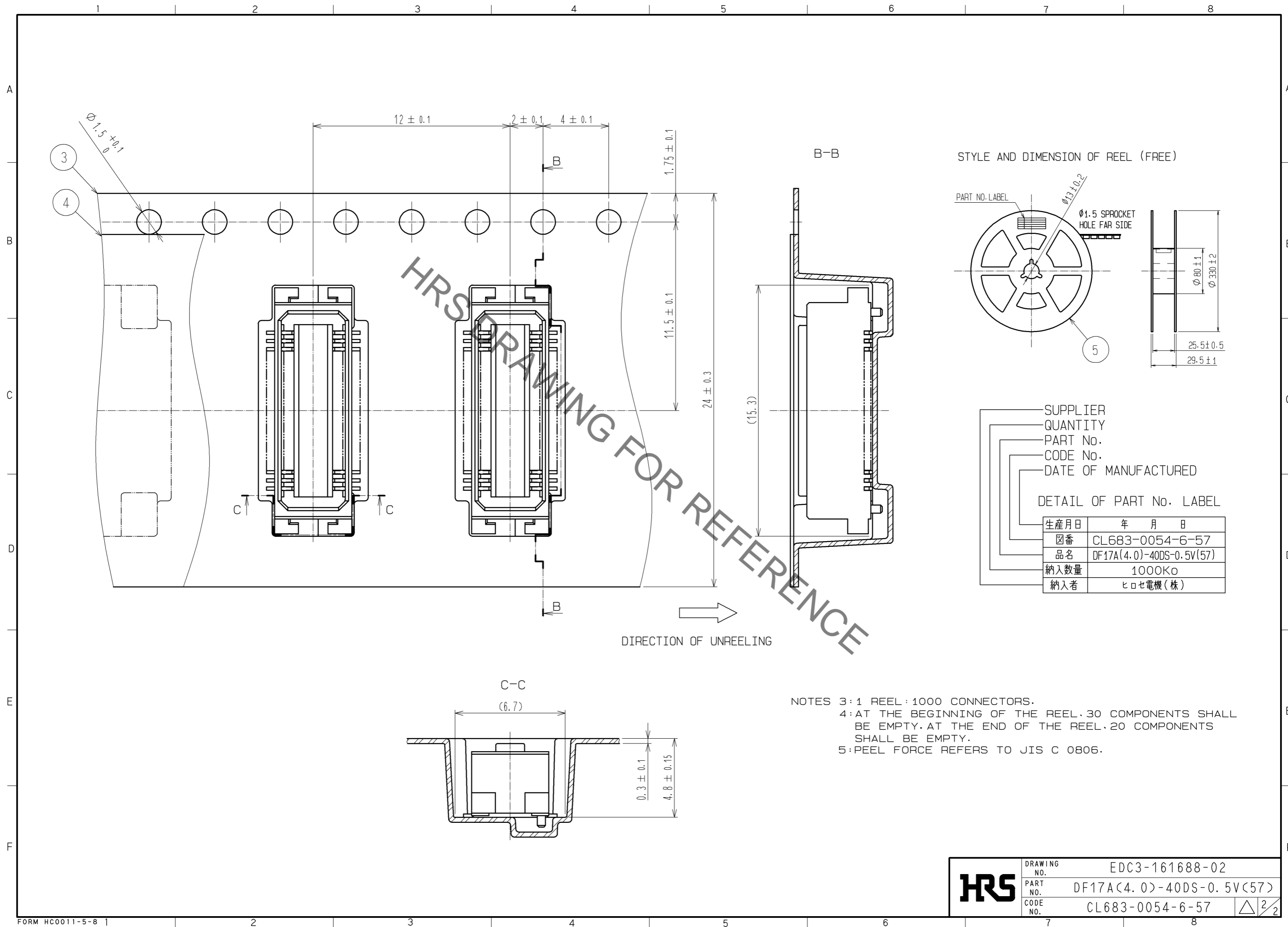


NO.	MATERIAL	FINISH . REMARKS	NO.	MATERIAL	FINISH . REMARKS
1	PHOSPHER BRONZE	CONTACT AREA:GOLD PLATED 0.1µm min LEAD AREA:TIN PLATED 1µm min UNDER PLATING:NICKEL PLATED 1µm min	5	PS	BLACK (PLASTIC REEL)
			4	POLYESTER	CLEAR (COVER TAPE)
			3	A-PET	CLEAR (EMBOSSED CARRIER TAPE)
			2	POLYAMIDE (PA6T)	WHITE BEIGE , UL94V-0

UNITS	SCALE	COUNT	DESCRIPTION OF REVISIONS	DESIGNED	CHECKED	DATE
mm	5 : 1	△	APPROVED : KH. IKEDA 08.11.20 CHECKED : TS. MIYAZAKI 08.11.20 DESIGNED : TY. YAMASAKI 08.11.19 DRAWN : TY. YAMASAKI 08.11.19			

DRAWING NO.	PART NO.	CODE NO.
EDC3-161688-02	DF17A(4.0)-40DS-0.5V(57)	CL683-0054-6-57

Sep.1.2021 Copyright 2021 HIROSE ELECTRIC CO., LTD. All Rights Reserved.
 In case of consideration for using Automotive equipment / device which demand high reliability, kindly contact our sales window correspondents.



SUPPLIER
 QUANTITY
 PART No.
 CODE No.
 DATE OF MANUFACTURED

DETAIL OF PART No. LABEL

生産月日	年 月 日
図番	CL683-0054-6-57
品名	DF17A(4.0)-40DS-0.5V(57)
納入数量	1000K ϕ
納入者	ヒロセ電機(株)

NOTES 3: 1 REEL : 1000 CONNECTORS.
 4: AT THE BEGINNING OF THE REEL, 30 COMPONENTS SHALL BE EMPTY. AT THE END OF THE REEL, 20 COMPONENTS SHALL BE EMPTY.
 5: PEEL FORCE REFERS TO JIS C 0806.

HRS	DRAWING NO.	EDC3-161688-02
	PART NO.	DF17A(4.0)-40DS-0.5V(57)
	CODE NO.	CL683-0054-6-57
		\triangle 2/2

X-ON Electronics

Largest Supplier of Electrical and Electronic Components

Click to view similar products for [Board to Board & Mezzanine Connectors](#) category:

Click to view products by [Hirose](#) manufacturer:

Other Similar products are found below :

[589158040000018](#) [MDF7C-18P-2.54DSA\(55\)](#) [FCN-230C068-11](#) [FCN-268F012-G/BD](#) [FCN-268F036-G/BD](#) [FCN-268M012-G/0D](#) [FCN-268M024-G/1D](#) [FCN-723J004/1](#) [MIS-048-01-F-D-DP-K](#) [832-10-034-10-001000](#) [FX4C-80S-1.27DSA](#) [FCN-214Q030-G/0](#) [FCN-234P048-G/0](#) [FCN-235D050-G/C](#) [210-93-314-41-105000](#) [2-22603-0](#) [MDF7-40DP-2.54DSA\(55\)](#) [AXG720047](#) [MIT-114-03-F-D-K](#) [55323-1519](#) [DF33-2P-3.3DSA\(24\)](#) [YFT-20-05-H-03-SB-K](#) [503308-3040](#) [026-6203-PDB](#) [027-6203-PDB](#) [069159702701000](#) [10123981-102LF](#) [101A10019X](#) [55650-0588-C](#) [68682-310LF](#) [68684-306](#) [75140-7012](#) [87471-650](#) [YTW-30-07-H-Q-410-140](#) [FCN-268F024-G0D](#) [10124054-515LF](#) [68685-603](#) [8-1616154-3](#) [MIS-019-01-F-D](#) [FCN-268M024-G/3D](#) [FCN-268M036-G/BD](#) [20021832-06016C1LF](#) [KX15-20KLDL-E1000E](#) [AXE810124](#) [FCN-214J100-G/0](#) [FCN-230C068-E/S](#) [AXE812124](#) [AXE816124](#) [AXE720127](#) [354184](#)