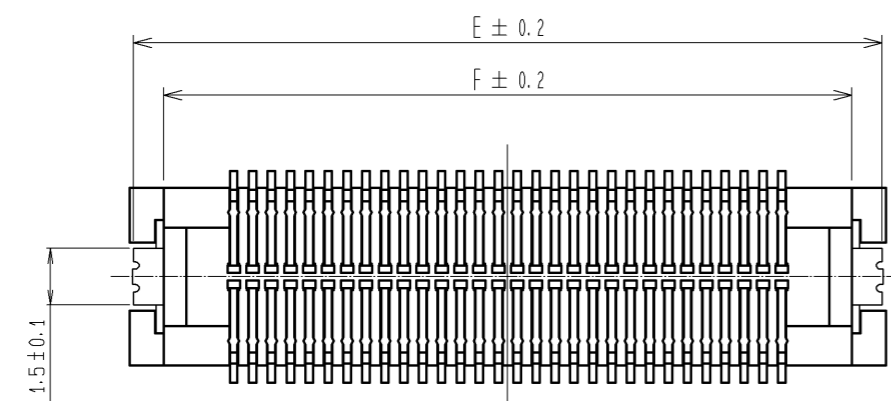
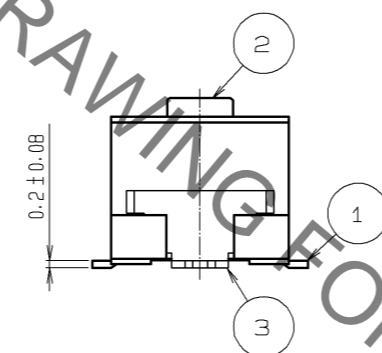
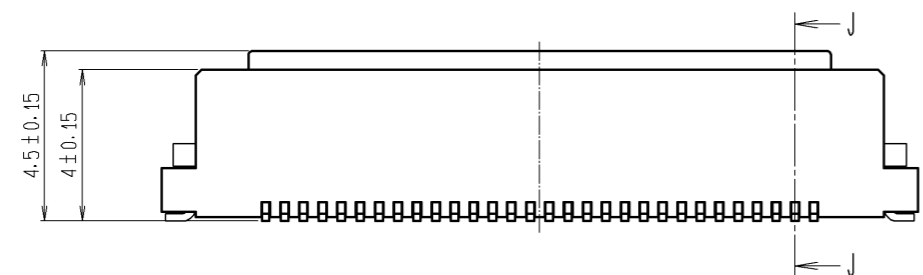
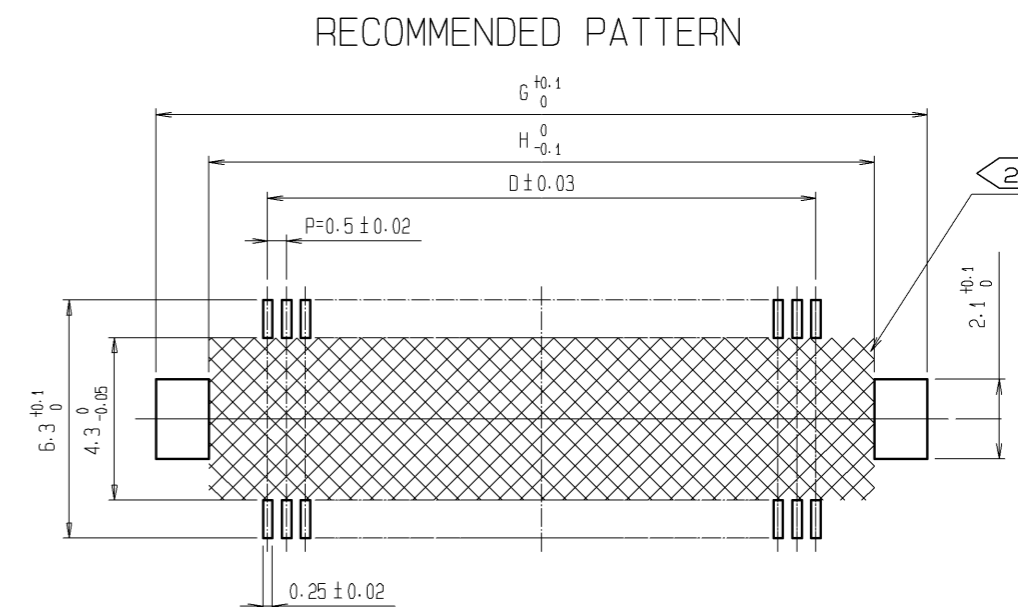
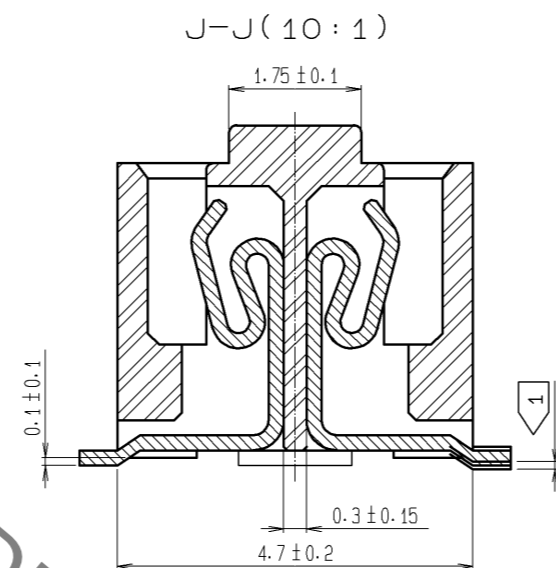
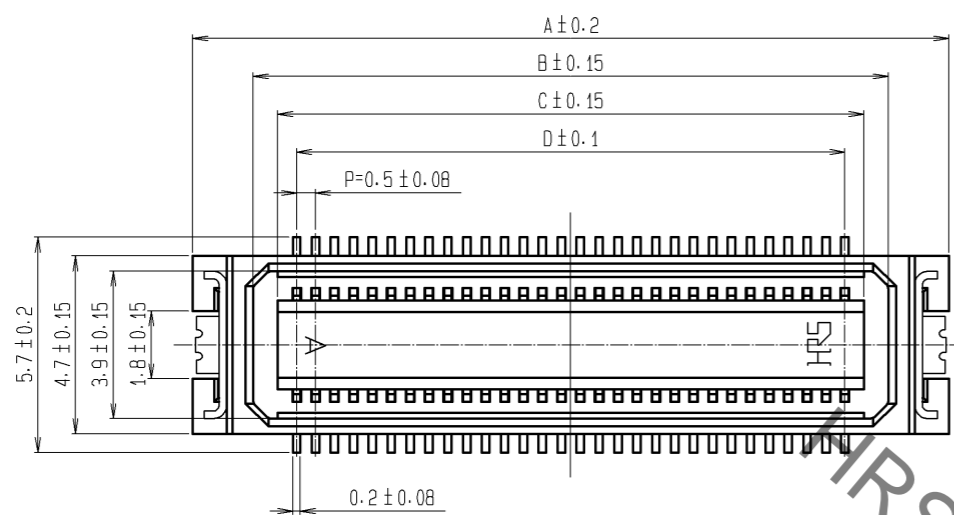


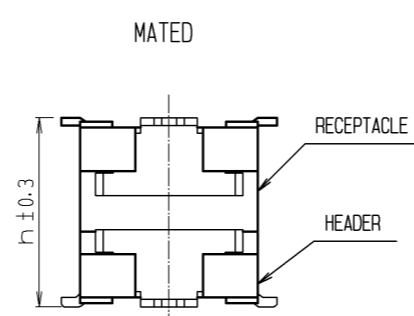
Aug.1.2021 Copyright 2021 HIROSE ELECTRIC CO., LTD. All Rights Reserved.
In case of consideration for using Automotive equipment / device which demand high reliability, kindly contact our sales window correspondents.



CODE NO.	CONTACT	A	B	C	D	E	F	G	H
CL0683-0062-4-57	20	10	6.8	5.5	4.5	9.8	8.2	10.4	7.6
CL0683-0063-7-57	30	12.5	9.3	8	7	12.3	10.7	12.9	10.1
CL0683-0064-0-57	40	15	11.8	10.5	9.5	14.8	13.2	15.4	12.6
CL0683-0065-2-57	50	17.5	14.3	13	12	17.3	15.7	17.9	15.1
CL0683-0066-5-57	60	20	16.8	15.5	14.5	19.8	18.2	20.4	17.6
CL0683-0067-8-57	70	22.5	19.3	18	17	22.3	20.7	22.9	20.1
CL0683-0068-0-57	80	25	21.8	20.5	19.5	24.8	23.2	25.4	22.6

NOTES 1 LEAD CO-PLANARITY INCLUDE REINFORCED METAL FITTINGS SHALL BE 0.1mm MAX.
2 WATCH NOT LET THE CONTACTS TOUCH THE SECTION ESPECIALLY WHEN THE PADS OF AREA NOT RESIST FINISHED.

MATED HEIGHT(h)		(mm)
HEADER NO.	RECEPTACLE NO.	
	DF17#(4.0)-*DS-0.5V(57)	
DF17#(2.0)-*DP-0.5V(57)		6
DF17#(4.0)-*DP-0.5V(57)		8

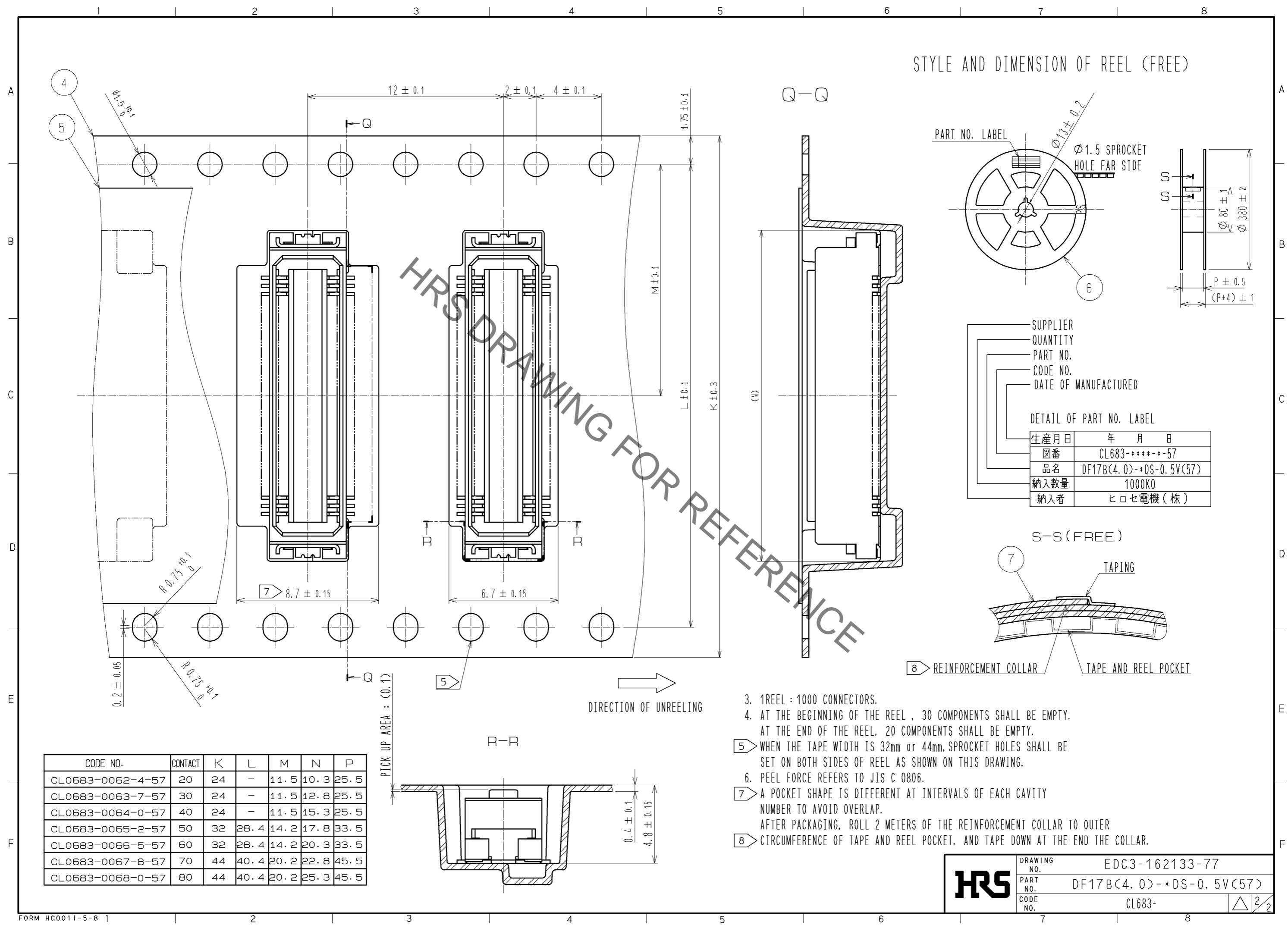


NO.	MATERIAL	FINISH . REMARKS	NO.	MATERIAL	FINISH . REMARKS
2	POLYAMIDE (PA6T)	WHITE BEIGE , UL94V-0	7	PS	CLEAR (REINFORCEMENT COLLAR)
			6	PS	BLACK(PLASTIC REEL)
			5	POLYESTER	CLEAR (COVER TAPE)
1	PHOSPHER BRONZE	CONTACT AREA : GOLD PLATED 0.1μm min LEAD AREA : TIN PLATED 1μm min UNDER PLATING : NICKEL PLATED 1μm min	4	PS	CLEAR (EMBOSSED CARRIER TAPE)
			3	PHOSPHER BRONZE	TIN PLATED : 1μm min UNDER PLATING : NICKEL PLATED 1μm min

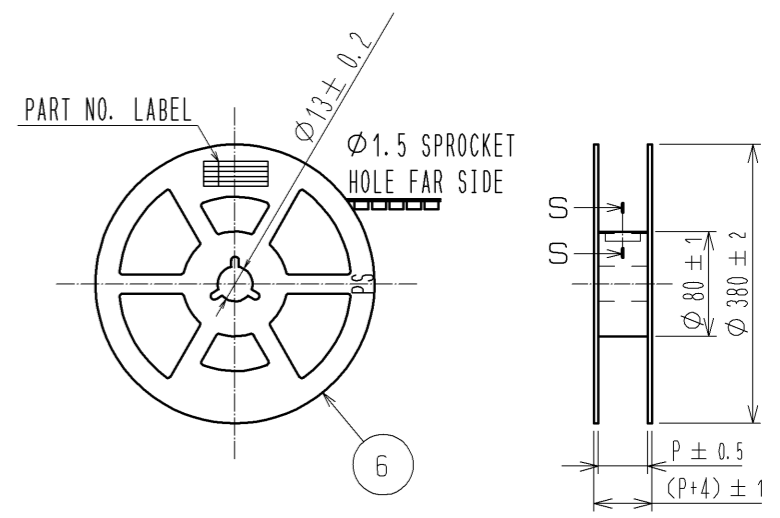
UNITS	SCALE	COUNT	DESCRIPTION OF REVISIONS	DESIGNED	CHECKED	DATE
mm	5 : 1	△				

APPROVED : KH. IKEDA	11.12.15	DRAWING NO.	EDC3-162133-77
CHECKED : TS. MIYAZAKI	11.12.15	PART NO.	DF17B(4.0)-*DS-0.5V(57)
DESIGNED : YH. MICHIDA	11.12.15	CODE NO.	CL683-
DRAWN : MS. SATO	11.12.14		

Aug.1.2021 Copyright 2021 HIROSE ELECTRIC CO., LTD. All Rights Reserved.
In case of consideration for using Automotive equipment / device which demand high reliability, kindly contact our sales window correspondents.



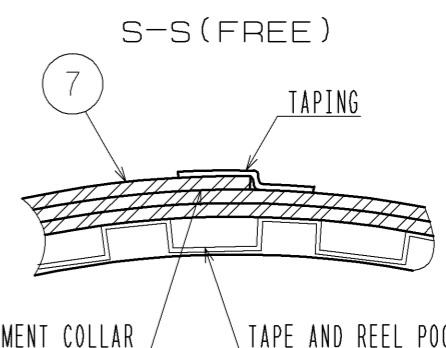
STYLE AND DIMENSION OF REEL (FREE)



SUPPLIER
QUANTITY
PART NO.
CODE NO.
DATE OF MANUFACTURED

DETAIL OF PART NO. LABEL

生産月日	年 月 日
図番	CL683-****-57
品名	DF17B(4.0)-*DS-0.5V(57)
納入数量	1000K0
納入者	ヒロセ電機(株)



8 REINFORCEMENT COLLAR TAPE AND REEL POCKET

CODE NO.	CONTACT	K	L	M	N	P
CL0683-0062-4-57	20	24	-	11.5	10.3	25.5
CL0683-0063-7-57	30	24	-	11.5	12.8	25.5
CL0683-0064-0-57	40	24	-	11.5	15.3	25.5
CL0683-0065-2-57	50	32	28.4	14.2	17.8	33.5
CL0683-0066-5-57	60	32	28.4	14.2	20.3	33.5
CL0683-0067-8-57	70	44	40.4	20.2	22.8	45.5
CL0683-0068-0-57	80	44	40.4	20.2	25.3	45.5

- 3. 1 REEL : 1000 CONNECTORS.
- 4. AT THE BEGINNING OF THE REEL , 30 COMPONENTS SHALL BE EMPTY.
AT THE END OF THE REEL, 20 COMPONENTS SHALL BE EMPTY.
- 5 WHEN THE TAPE WIDTH IS 32mm or 44mm, SPROCKET HOLES SHALL BE SET ON BOTH SIDES OF REEL AS SHOWN ON THIS DRAWING.
- 6. PEEL FORCE REFERS TO JIS C 0806.
- 7 A POCKET SHAPE IS DIFFERENT AT INTERVALS OF EACH CAVITY NUMBER TO AVOID OVERLAP.
AFTER PACKAGING, ROLL 2 METERS OF THE REINFORCEMENT COLLAR TO OUTER
- 8 CIRCUMFERENCE OF TAPE AND REEL POCKET, AND TAPE DOWN AT THE END THE COLLAR.

HRS	DRAWING NO.	EDC3-162133-77
	PART NO.	DF17B(4.0)-*DS-0.5V(57)
	CODE NO.	CL683-
		△ 2/2

X-ON Electronics

Largest Supplier of Electrical and Electronic Components

Click to view similar products for [Board to Board & Mezzanine Connectors](#) category:

Click to view products by [Hirose](#) manufacturer:

Other Similar products are found below :

[589158040000018](#) [MDF7C-18P-2.54DSA\(55\)](#) [FCN-230C068-11](#) [FCN-268F012-G/BD](#) [FCN-268F036-G/BD](#) [FCN-268M012-G/0D](#) [FCN-268M024-G/1D](#) [FCN-723J004/1](#) [MIS-048-01-F-D-DP-K](#) [832-10-034-10-001000](#) [FX4C-80S-1.27DSA](#) [FCN-214Q030-G/0](#) [FCN-234P048-G/0](#) [FCN-235D050-G/C](#) [210-93-314-41-105000](#) [2-22603-0](#) [MDF7-40DP-2.54DSA\(55\)](#) [AXG720047](#) [MIT-114-03-F-D-K](#) [55323-1519](#) [DF33-2P-3.3DSA\(24\)](#) [YFT-20-05-H-03-SB-K](#) [503308-3040](#) [026-6203-PDB](#) [027-6203-PDB](#) [069159702701000](#) [10123981-102LF](#) [101A10019X](#) [55650-0588-C](#) [68682-310LF](#) [68684-306](#) [75140-7012](#) [87471-650](#) [YTW-30-07-H-Q-410-140](#) [FCN-268F024-G0D](#) [10124054-515LF](#) [68685-603](#) [8-1616154-3](#) [MIS-019-01-F-D](#) [FCN-268M024-G/3D](#) [FCN-268M036-G/BD](#) [20021832-06016C1LF](#) [KX15-20KLDL-E1000E](#) [AXE810124](#) [FCN-214J100-G/0](#) [FCN-230C068-E/S](#) [AXE812124](#) [AXE816124](#) [AXE720127](#) [354184](#)