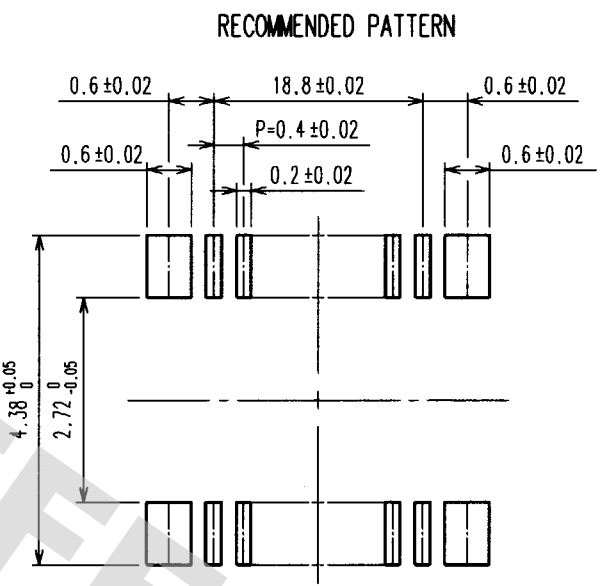
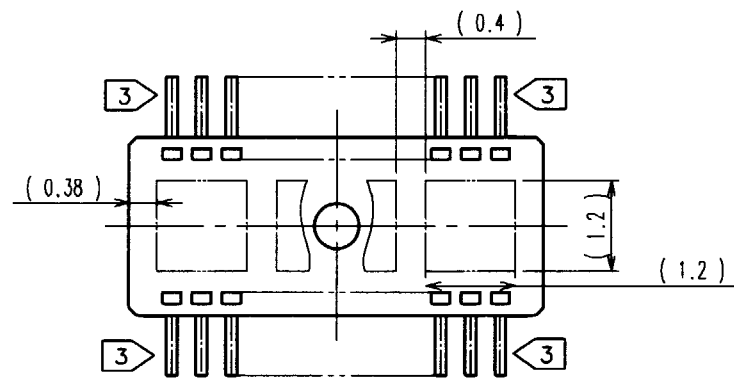
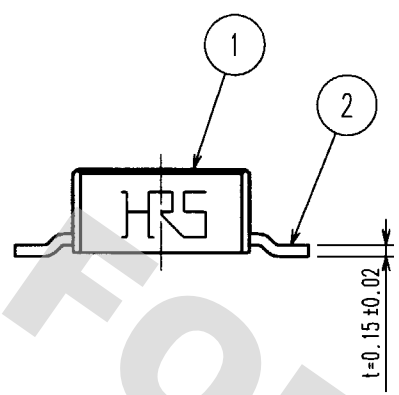
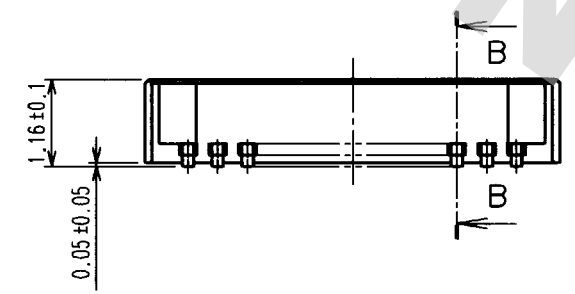
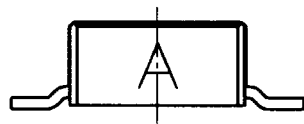
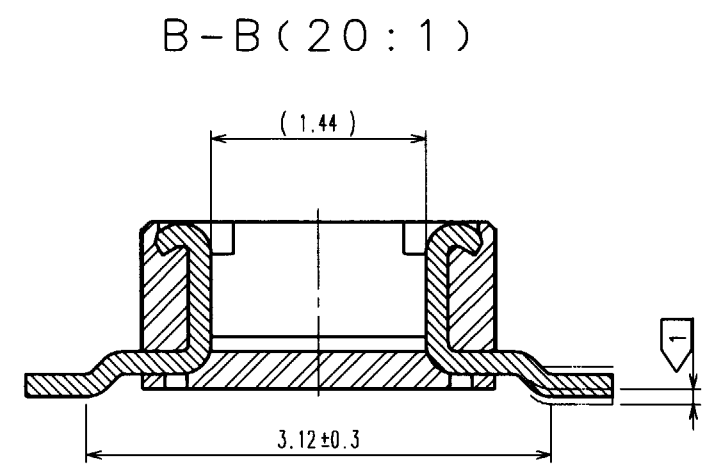
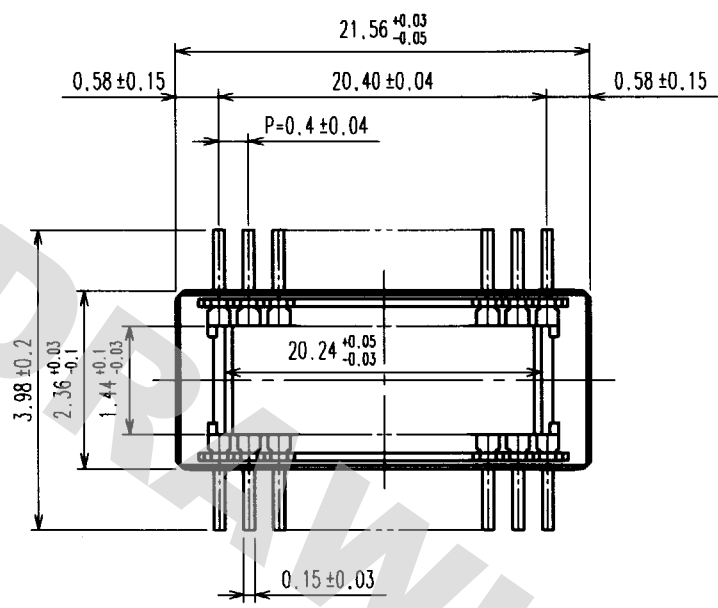


COUNT	DESCRIPTION OF REVISIONS	BY	CHKD	DATE	COUNT	DESCRIPTION OF REVISIONS	BY	CHKD	DATE
△				..	△				..
△				..	△				..
△				..	△				..



- NOTES
- LEAD CO-PLANARITY SHALL BE 0.1 mm MAX.
 - IN CASE OF SOLDERING A CONTACT AREA MANUALLY, CLEANING SHALL BE REQUIRED.
 - PREVENTIVE HOLE FOR SINKAGE MAY BE SETUP AT THE INDICATED POSITION.
 - THIS PRODUCT TO BE SHIPPED BY TAPE AND REEL PACKAGE. REFER TO NEXT SHEET FOR DETAILS OF PACKAGING SPECIFICATIONS.
 - USE METAL SCREEN, THICKNESS 0.12mm. SET UP THE SIZE OF THE METAL SCREEN HOLE TO THE PATTERN IN 70%.
 - PLATING
 CONTACT AREA : GOLD 0.05μ m MIN.
 LEAD AREA : GOLD FLASH PLATING.
 UNDER PLATING : NICKEL 1.0μ m MIN.

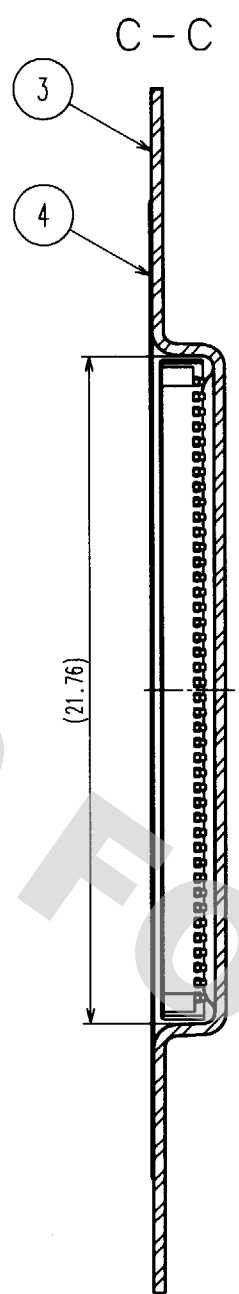
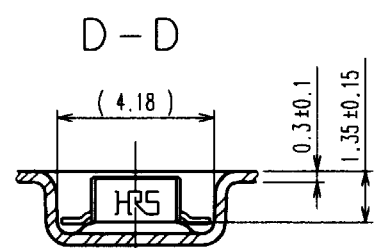
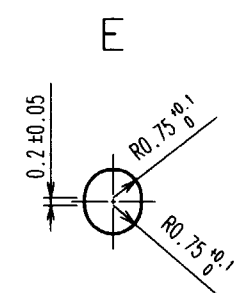
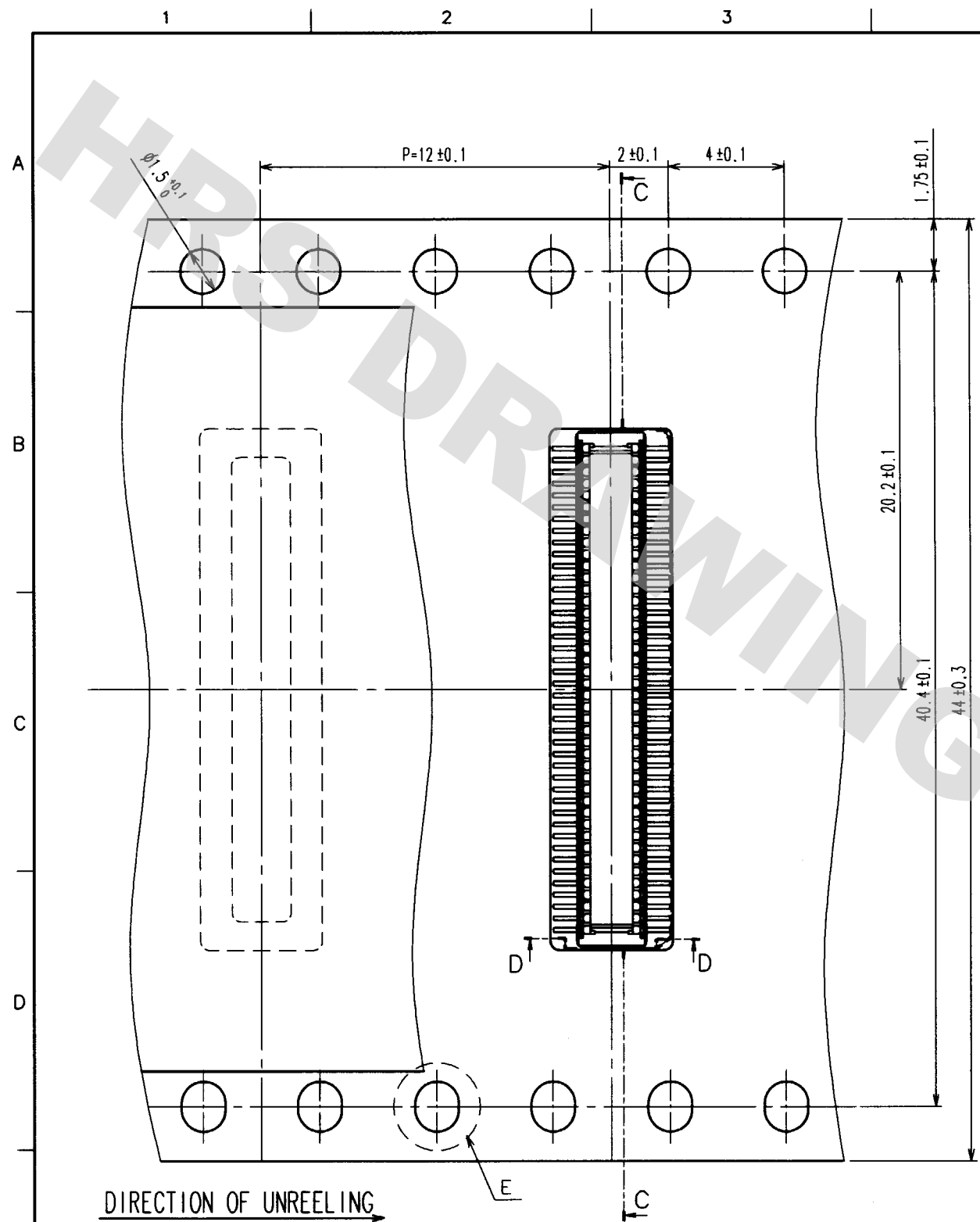
2	COPPER ALLOY	6	4	POLYESTER	CLEAR(COVER TAPE)
1	LCP	NATURAL (BLACK), UL94V-0	3	PS	CLEAR(EMBOSSED CARRIER TAPE)
NO.	MATERIAL	FINISH, REMARKS	NO.	MATERIAL	FINISH, REMARKS
CODE NO. (OLD) CL		DRAWN A.Hirota '03. 7. 2	DESIGNED T. Arai '03. 7. 11	CHECKED K. Akijama '03. 7. 11	APPROVED K. Akijama '03. 7. 11
SCALE 10 : 1		DRAWING NO. EDC3-163656-01		PART NO. DF18C-100DP-0.4V(51)	
UNITS mm		HRS HIROSE ELECTRIC CO., LTD		CODE NO. CL684-0012-2-51	

DRAWING FOR REFERENCE: This is subject to change without notice
08/11/2012

TO

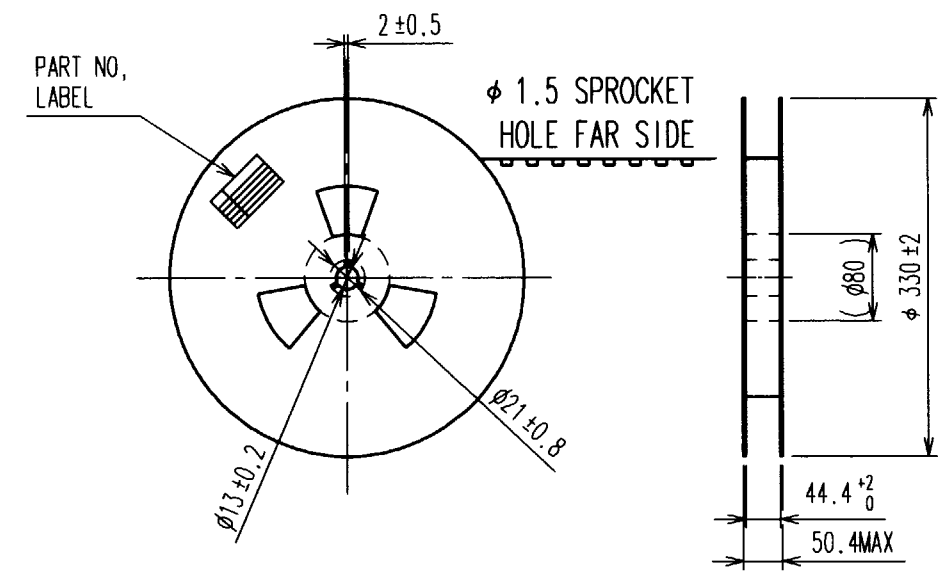
DRAWING FOR REFERENCE: This is subject to change without notice
08/11/2012

TO



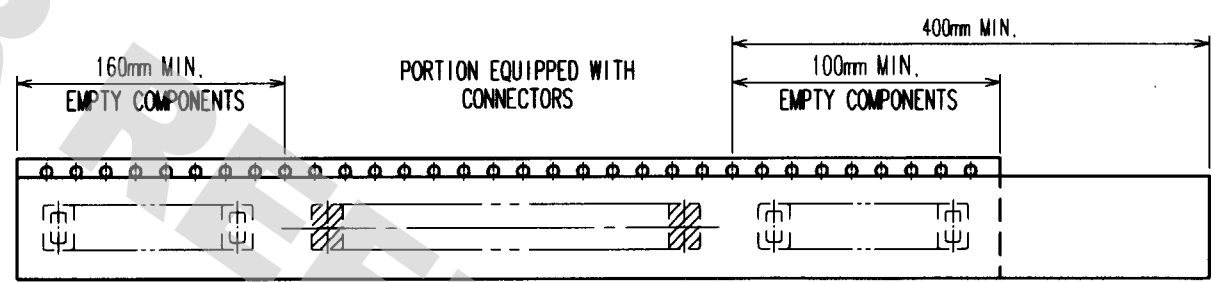
COUNT	DESCRIPTION OF REVISIONS	BY	CHKD	DATE	COUNT	DESCRIPTION OF REVISIONS	BY	CHKD	DATE

STYLE AND DIMENTION OF REEL (FREE)



9) DETAIL OF PART NO LABEL.

DATE OF MANUFACTURED	** ** *
CODE NO.	CL684-0012-2-51
PART NO.	DF18C-100DP-0.4V(51)
QUANTITY	2000 KO
SUPPLIER	HIROSE ELECTRIC CO.,LTD.



8) TAPING

- NOTES 7. 1 REEL : 2000 CONNECTORS.
8) REFER TO JIS C 0806 (PACKAGING OF COMPONENTS FOR AUTOMATIC HANDLING)
9) DETAIL OF PART NO. LABEL IS WRITTEN IN JAPANESE.

CODE NO. (OLD) CL	DRAWN A.Hirota '03. 7. 2	DESIGNED T. Orai '03. 7. 4	CHECKED K. Akijama '03. 7. 10	APPROVED K. Akijama '03. 7. 10	RELEASED
DRAWING NO. EDC3-163656-01		PART NO. DF18C-100DP-0.4V(51)			
SCALE 10: 1		UNITS mm		CODE NO. CL684-0012-2-51	
HRS HIROSE ELECTRIC CO., LTD				2/2	

X-ON Electronics

Largest Supplier of Electrical and Electronic Components

Click to view similar products for [Board to Board & Mezzanine Connectors](#) category:

Click to view products by [Hirose](#) manufacturer:

Other Similar products are found below :

[589158040000018](#) [MDF7C-18P-2.54DSA\(55\)](#) [FCN-230C068-11](#) [FCN-268F012-G/BD](#) [FCN-268F036-G/BD](#) [FCN-268M012-G/0D](#) [FCN-268M024-G/1D](#) [FCN-723J004/1](#) [MIS-048-01-F-D-DP-K](#) [832-10-034-10-001000](#) [FX4C-80S-1.27DSA](#) [FCN-214Q030-G/0](#) [FCN-234P048-G/0](#) [FCN-235D050-G/C](#) [210-93-314-41-105000](#) [2-22603-0](#) [MDF7-40DP-2.54DSA\(55\)](#) [AXG720047](#) [MIT-114-03-F-D-K](#) [55323-1519](#) [DF33-2P-3.3DSA\(24\)](#) [YFT-20-05-H-03-SB-K](#) [503308-3040](#) [026-6203-PDB](#) [027-6203-PDB](#) [069159702701000](#) [10123981-102LF](#) [101A10019X](#) [55650-0588-C](#) [68682-310LF](#) [68684-306](#) [75140-7012](#) [87471-650](#) [YTW-30-07-H-Q-410-140](#) [FCN-268F024-G0D](#) [10124054-515LF](#) [68685-603](#) [8-1616154-3](#) [MIS-019-01-F-D](#) [FCN-268M024-G/3D](#) [FCN-268M036-G/BD](#) [20021832-06016C1LF](#) [KX15-20KLDL-E1000E](#) [AXE810124](#) [FCN-214J100-G/0](#) [FCN-230C068-E/S](#) [AXE812124](#) [AXE816124](#) [AXE720127](#) [354184](#)