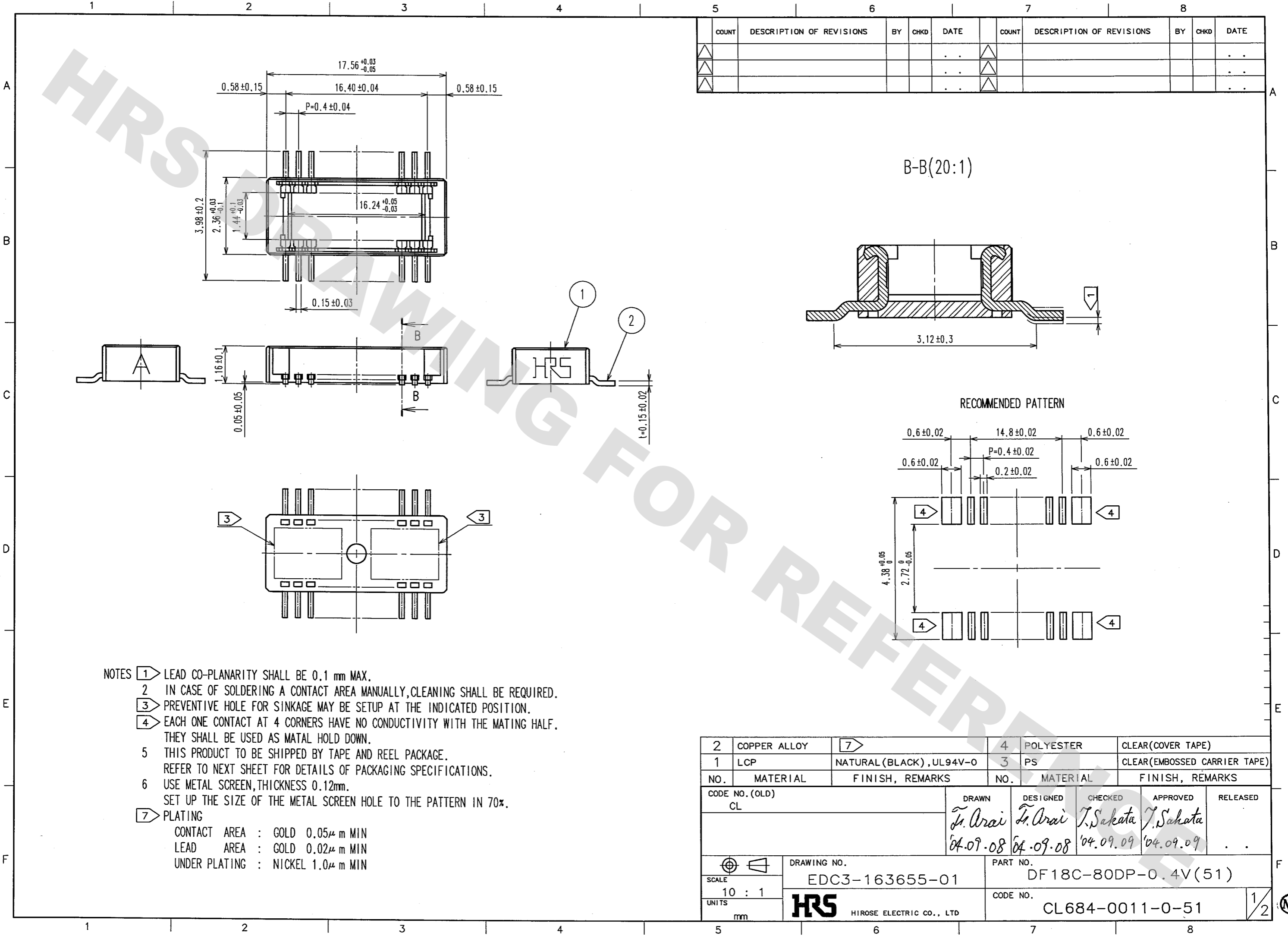


DRAWING FOR REFERENCE: This is subject to change without notice  
08/11/2012

TO



COUNT	DESCRIPTION OF REVISIONS	BY	CHKD	DATE	COUNT	DESCRIPTION OF REVISIONS	BY	CHKD	DATE

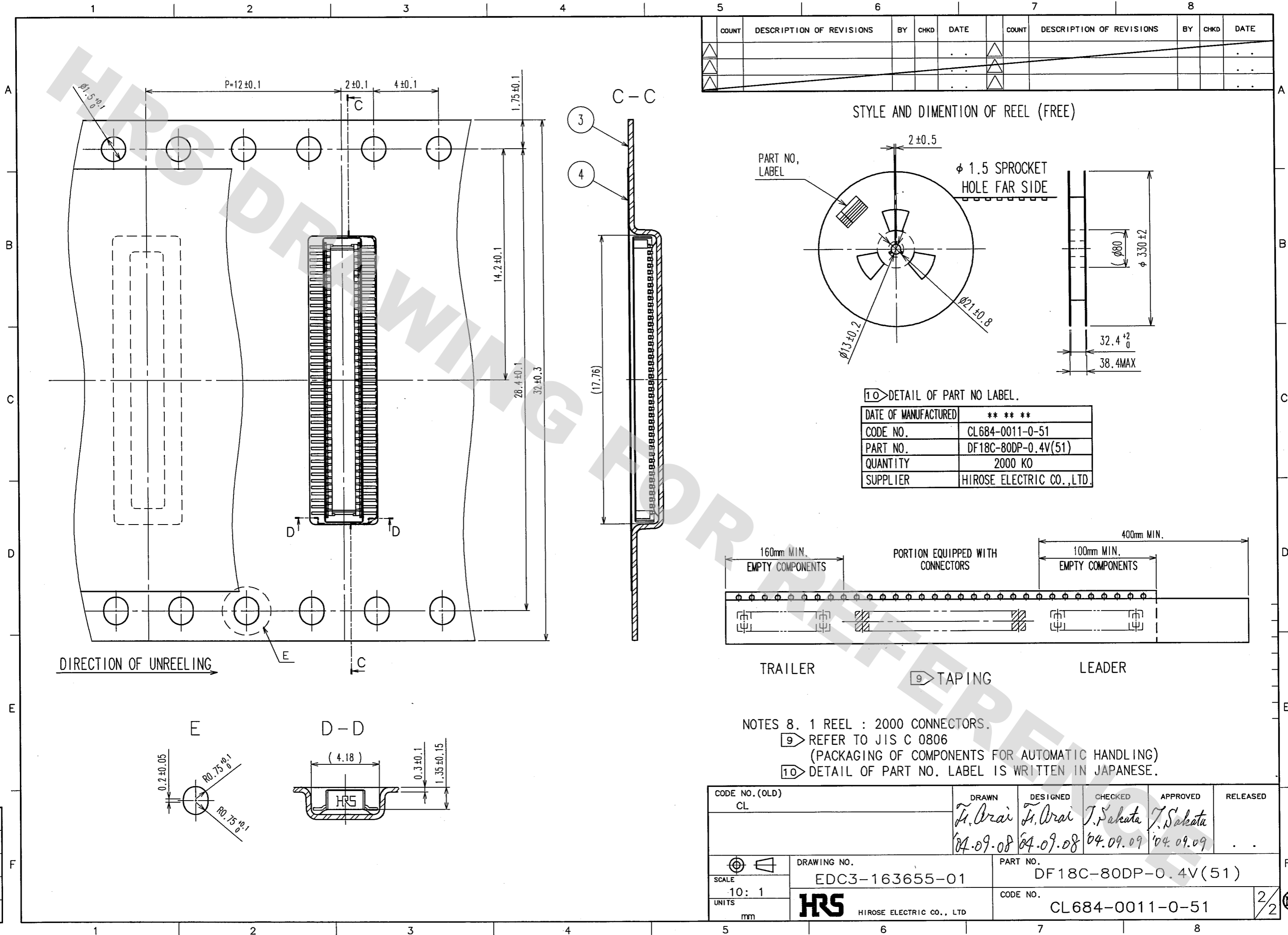
- NOTES
- 1 LEAD CO-PLANARITY SHALL BE 0.1 mm MAX.
  - 2 IN CASE OF SOLDERING A CONTACT AREA MANUALLY, CLEANING SHALL BE REQUIRED.
  - 3 PREVENTIVE HOLE FOR SINKAGE MAY BE SETUP AT THE INDICATED POSITION.
  - 4 EACH ONE CONTACT AT 4 CORNERS HAVE NO CONDUCTIVITY WITH THE MATING HALF. THEY SHALL BE USED AS METAL HOLD DOWN.
  - 5 THIS PRODUCT TO BE SHIPPED BY TAPE AND REEL PACKAGE. REFER TO NEXT SHEET FOR DETAILS OF PACKAGING SPECIFICATIONS.
  - 6 USE METAL SCREEN, THICKNESS 0.12mm. SET UP THE SIZE OF THE METAL SCREEN HOLE TO THE PATTERN IN 70%.
  - 7 PLATING
    - CONTACT AREA : GOLD 0.05μ m MIN
    - LEAD AREA : GOLD 0.02μ m MIN
    - UNDER PLATING : NICKEL 1.0μ m MIN

2	COPPER ALLOY	7	4	POLYESTER	CLEAR(COVER TAPE)		
1	LCP	NATURAL (BLACK), UL94V-0	3	PS	CLEAR(EMBOSSD CARRIER TAPE)		
NO.	MATERIAL	FINISH, REMARKS	NO.	MATERIAL	FINISH, REMARKS		
CODE NO. (OLD) CL			DRAWN	DESIGNED	CHECKED	APPROVED	RELEASED
			<i>T. Arai</i>	<i>T. Arai</i>	<i>T. Sakata</i>	<i>T. Sakata</i>	
			04.07.08	04.09.08	04.09.09	04.09.09	
DRAWING NO. EDC3-163655-01			PART NO. DF18C-80DP-0.4V(51)				
SCALE 10 : 1			CODE NO. CL684-0011-0-51				
UNITS mm			HIROSE ELECTRIC CO., LTD				



DRAWING FOR REFERENCE: This is subject to change without notice  
08/11/2012

TO



COUNT	DESCRIPTION OF REVISIONS	BY	CHKD	DATE	COUNT	DESCRIPTION OF REVISIONS	BY	CHKD	DATE

CODE NO. (OLD) CL	DRAWN <i>T. Orai</i> 04.09.08	DESIGNED <i>T. Orai</i> 04.09.08	CHECKED <i>T. Sakata</i> 04.09.09	APPROVED <i>T. Sakata</i> 04.09.09	RELEASED
DRAWING NO. EDC3-163655-01		PART NO. DF18C-80DP-0.4V(51)			
SCALE 10:1	UNITS mm		CODE NO. CL684-0011-0-51		2/2



## X-ON Electronics

Largest Supplier of Electrical and Electronic Components

*Click to view similar products for [Board to Board & Mezzanine Connectors](#) category:*

*Click to view products by [Hirose](#) manufacturer:*

Other Similar products are found below :

[589158040000018](#) [MDF7C-18P-2.54DSA\(55\)](#) [FCN-230C068-11](#) [FCN-268F012-G/BD](#) [FCN-268F036-G/BD](#) [FCN-268M012-G/0D](#) [FCN-268M024-G/1D](#) [FCN-723J004/1](#) [MIS-048-01-F-D-DP-K](#) [832-10-034-10-001000](#) [FX4C-80S-1.27DSA](#) [FCN-214Q030-G/0](#) [FCN-234P048-G/0](#) [FCN-235D050-G/C](#) [210-93-314-41-105000](#) [2-22603-0](#) [MDF7-40DP-2.54DSA\(55\)](#) [AXG720047](#) [MIT-114-03-F-D-K](#) [55323-1519](#) [DF33-2P-3.3DSA\(24\)](#) [YFT-20-05-H-03-SB-K](#) [503308-3040](#) [026-6203-PDB](#) [027-6203-PDB](#) [069159702701000](#) [10123981-102LF](#) [101A10019X](#) [55650-0588-C](#) [68682-310LF](#) [68684-306](#) [75140-7012](#) [87471-650](#) [YTW-30-07-H-Q-410-140](#) [FCN-268F024-G0D](#) [10124054-515LF](#) [68685-603](#) [8-1616154-3](#) [MIS-019-01-F-D](#) [FCN-268M024-G/3D](#) [FCN-268M036-G/BD](#) [20021832-06016C1LF](#) [KX15-20KLDL-E1000E](#) [AXE810124](#) [FCN-214J100-G/0](#) [FCN-230C068-E/S](#) [AXE812124](#) [AXE816124](#) [AXE720127](#) [354184](#)