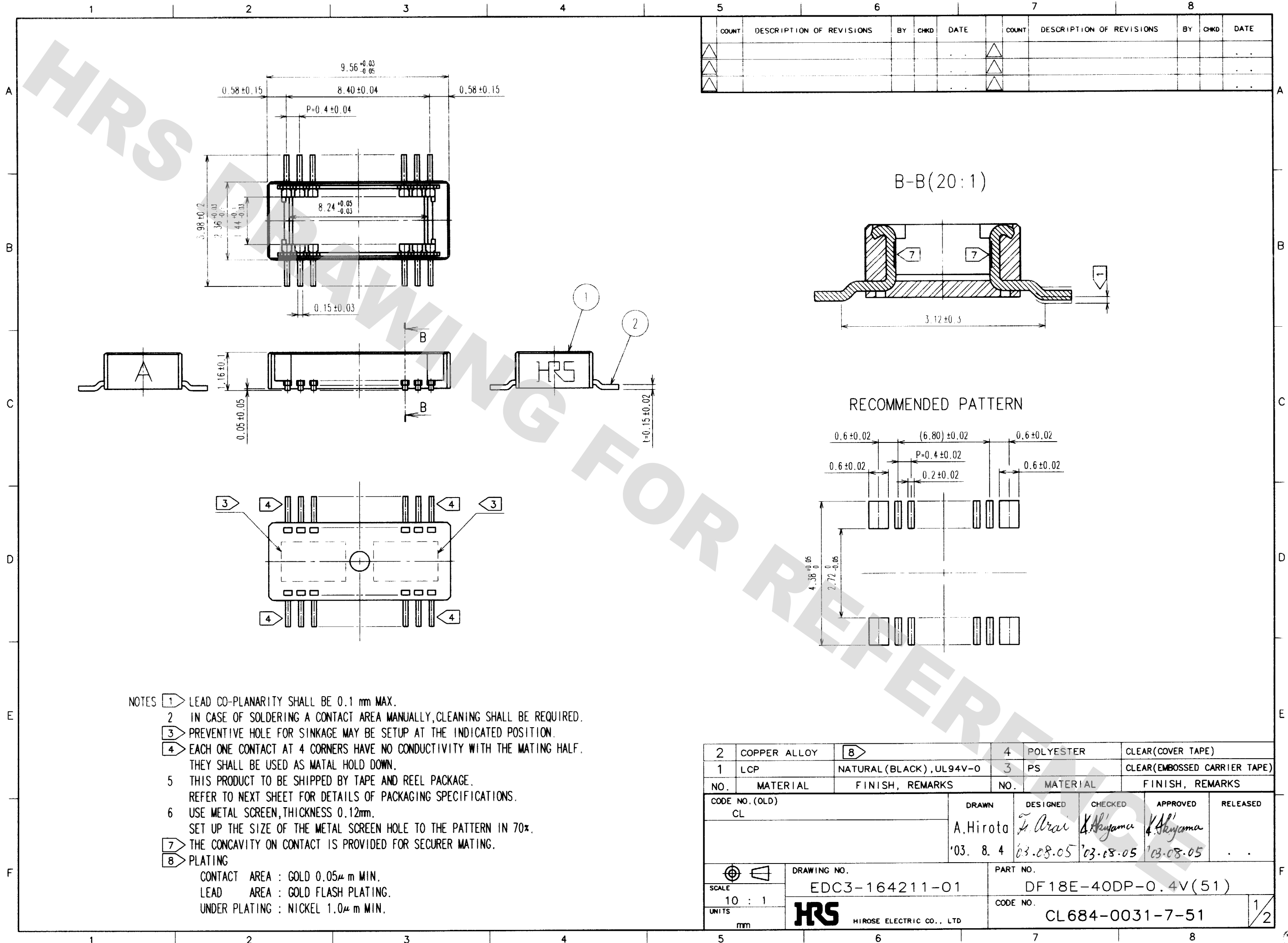


DRAWING FOR REFERENCE: This is subject to change without notice
08/11/2012

TO



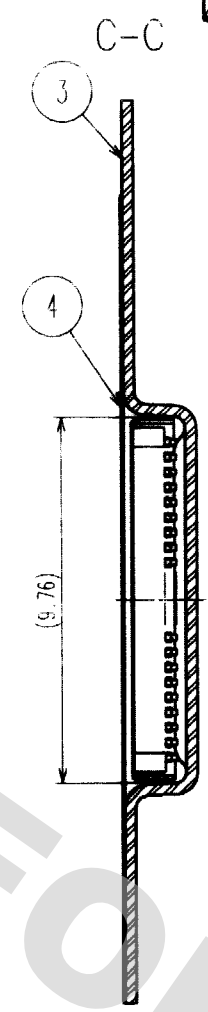
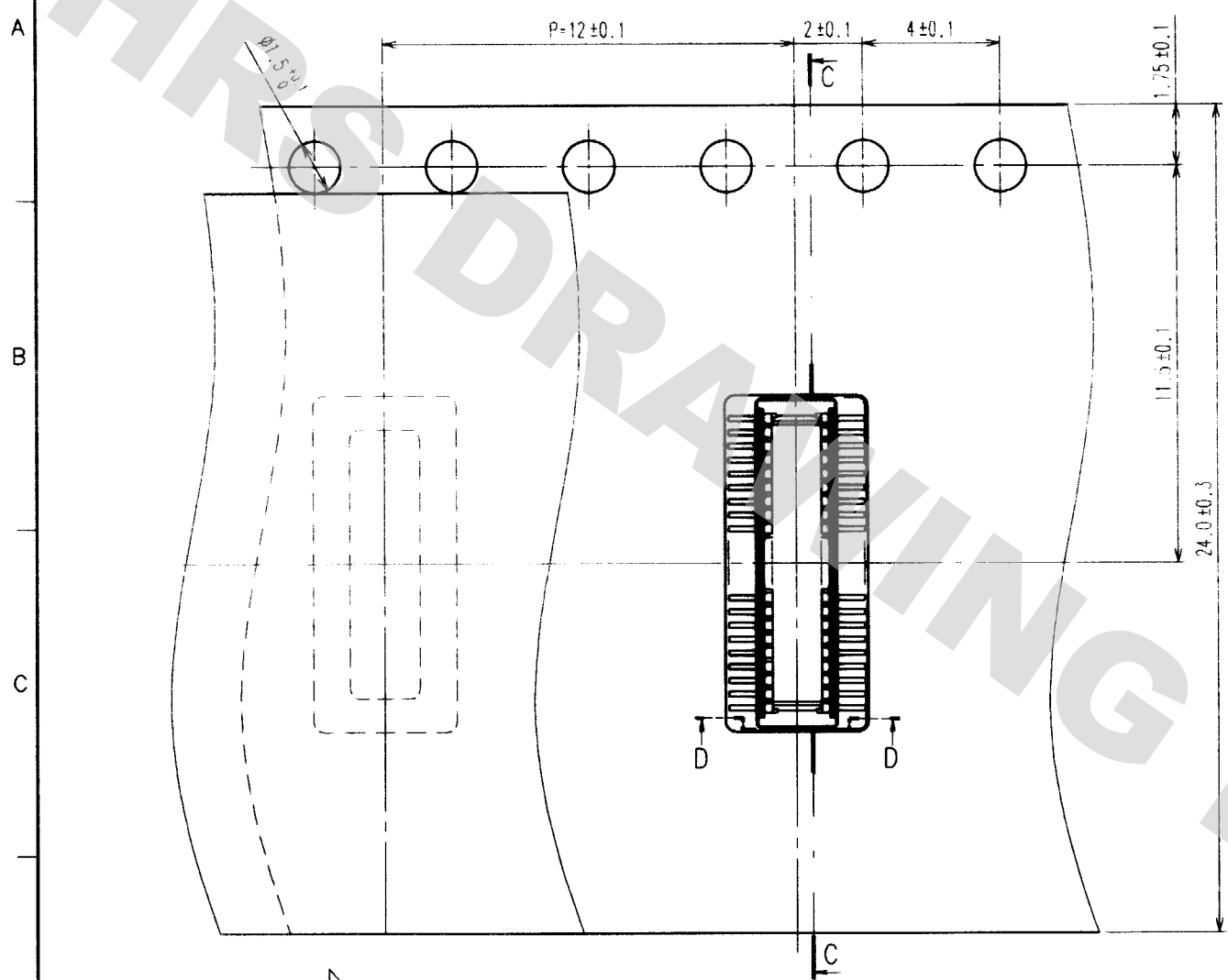
COUNT	DESCRIPTION OF REVISIONS	BY	CHKD	DATE	COUNT	DESCRIPTION OF REVISIONS	BY	CHKD	DATE

- NOTES
- ① LEAD CO-PLANARITY SHALL BE 0.1 mm MAX.
 - ② IN CASE OF SOLDERING A CONTACT AREA MANUALLY, CLEANING SHALL BE REQUIRED.
 - ③ PREVENTIVE HOLE FOR SINKAGE MAY BE SETUP AT THE INDICATED POSITION.
 - ④ EACH ONE CONTACT AT 4 CORNERS HAVE NO CONDUCTIVITY WITH THE MATING HALF. THEY SHALL BE USED AS METAL HOLD DOWN.
 - ⑤ THIS PRODUCT TO BE SHIPPED BY TAPE AND REEL PACKAGE. REFER TO NEXT SHEET FOR DETAILS OF PACKAGING SPECIFICATIONS.
 - ⑥ USE METAL SCREEN, THICKNESS 0.12mm. SET UP THE SIZE OF THE METAL SCREEN HOLE TO THE PATTERN IN 70%.
 - ⑦ THE CONCAVITY ON CONTACT IS PROVIDED FOR SECURER MATING.
 - ⑧ PLATING
 CONTACT AREA : GOLD 0.05μ m MIN.
 LEAD AREA : GOLD FLASH PLATING.
 UNDER PLATING : NICKEL 1.0μ m MIN.

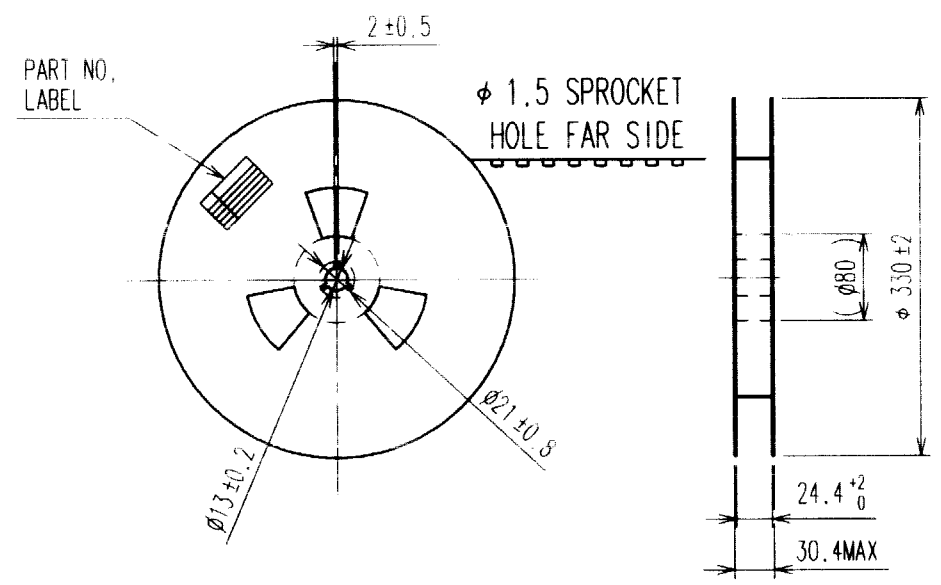
2	COPPER ALLOY	⑧	4	POLYESTER	CLEAR(COVER TAPE)		
1	LCP	NATURAL (BLACK), UL94V-0	3	PS	CLEAR(EMBOSSD CARRIER TAPE)		
NO.	MATERIAL	FINISH, REMARKS	NO.	MATERIAL	FINISH, REMARKS		
CODE NO. (OLD)	CL		DRAWN	DESIGNED	CHECKED	APPROVED	RELEASED
			A.Hirota	T. Arai	K. Akiyama	K. Akiyama	
			'03. 8. 4	'03.08.05	'03.08.05	'03.08.05	
DRAWING NO.		PART NO.					
EDC3-164211-01		DF18E-40DP-0.4V(51)					
UNITS		CODE NO.					
mm		CL684-0031-7-51					
HRS HIROSE ELECTRIC CO., LTD							

1/2

COUNT	DESCRIPTION OF REVISIONS	BY	CHKD	DATE	COUNT	DESCRIPTION OF REVISIONS	BY	CHKD	DATE



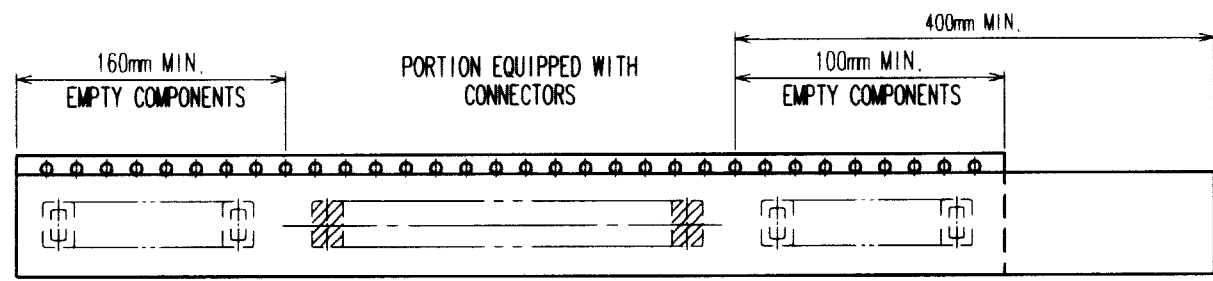
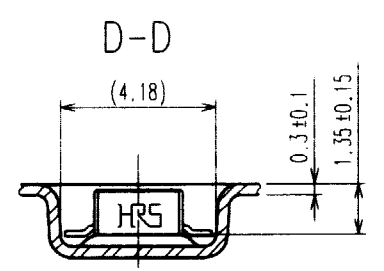
STYLE AND DIMENTION OF REEL (FREE)



11) DETAIL OF PART NO LABEL.

DATE OF MANUFACTURED	** ** *
CODE NO.	CL684-0031-7-51
PART NO.	DF18E-40DP-0.4V(51)
QUANTITY	2000 KO
SUPPLIER	HIROSE ELECTRIC CO., LTD.

DIRECTION OF UNREELING



10) TAPING (FREE)

NOTES 9. 1 REEL : 2000 CONNECTORS.
 10) REFER TO JIS C 0806
 (PACKAGING OF COMPONENTS FOR AUTOMATIC HANDLING)
 11) DETAIL OF PART NO. LABEL IS WRITTEN IN JAPANESE.

CODE NO. (OLD) CL	DRAWN A.Hirota '03. 8. 4	DESIGNED T. Arai '03.08.05	CHECKED K. Akijama '03.08.05	APPROVED K. Akijama '03.08.05	RELEASED
DRAWING NO. EDC3-164211-01		PART NO. DF18E-40DP-0.4V(51)			
SCALE 10: 1		UNITS mm			HIROSE ELECTRIC CO., LTD.
CODE NO. CL684-0031-7-51				2/2	

DRAWING FOR REFERENCE: This is subject to change without notice
08/11/2012

TO

X-ON Electronics

Largest Supplier of Electrical and Electronic Components

Click to view similar products for [Board to Board & Mezzanine Connectors](#) category:

Click to view products by [Hirose](#) manufacturer:

Other Similar products are found below :

[589158040000018](#) [MDF7C-18P-2.54DSA\(55\)](#) [FCN-230C068-11](#) [FCN-268F012-G/BD](#) [FCN-268F036-G/BD](#) [FCN-268M012-G/0D](#) [FCN-268M024-G/1D](#) [FCN-723J004/1](#) [MIS-048-01-F-D-DP-K](#) [832-10-034-10-001000](#) [FX4C-80S-1.27DSA](#) [FCN-214Q030-G/0](#) [FCN-234P048-G/0](#) [FCN-235D050-G/C](#) [210-93-314-41-105000](#) [2-22603-0](#) [MDF7-40DP-2.54DSA\(55\)](#) [AXG720047](#) [MIT-114-03-F-D-K](#) [55323-1519](#) [DF33-2P-3.3DSA\(24\)](#) [YFT-20-05-H-03-SB-K](#) [503308-3040](#) [026-6203-PDB](#) [027-6203-PDB](#) [069159702701000](#) [10123981-102LF](#) [101A10019X](#) [55650-0588-C](#) [68682-310LF](#) [68684-306](#) [75140-7012](#) [87471-650](#) [YTW-30-07-H-Q-410-140](#) [FCN-268F024-G0D](#) [10124054-515LF](#) [68685-603](#) [8-1616154-3](#) [MIS-019-01-F-D](#) [FCN-268M024-G/3D](#) [FCN-268M036-G/BD](#) [20021832-06016C1LF](#) [KX15-20KLDL-E1000E](#) [AXE810124](#) [FCN-214J100-G/0](#) [FCN-230C068-E/S](#) [AXE812124](#) [AXE816124](#) [AXE720127](#) [354184](#)