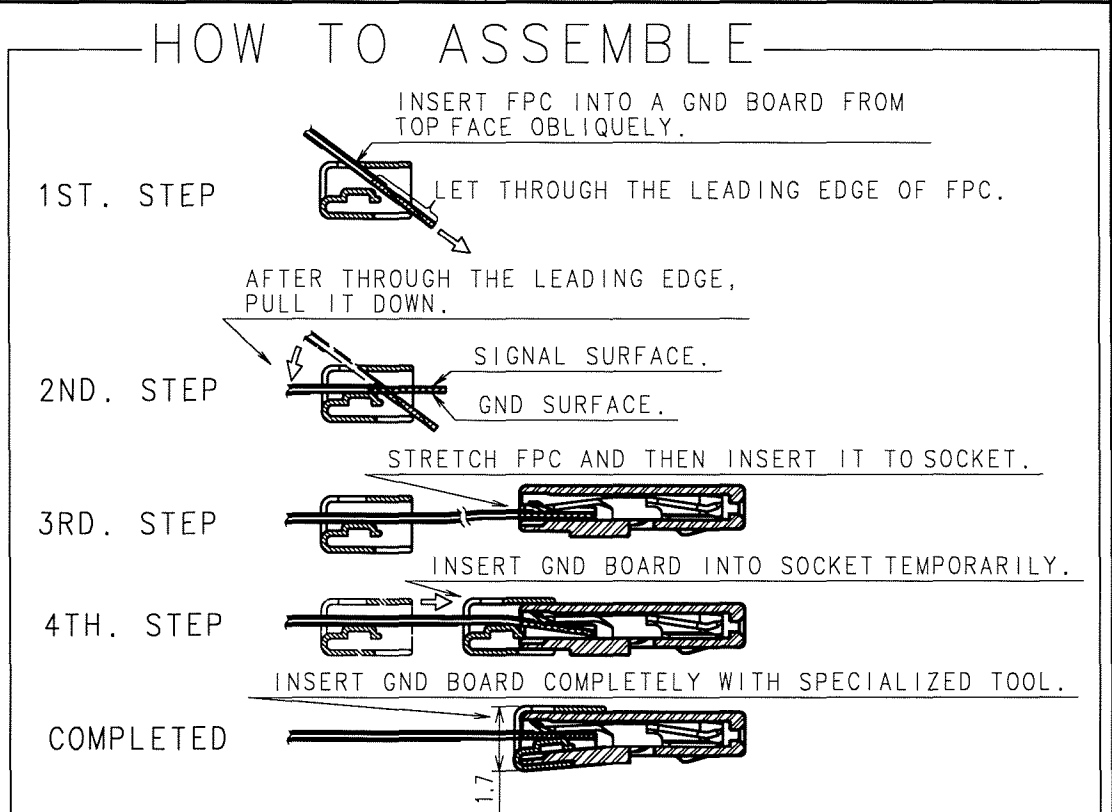
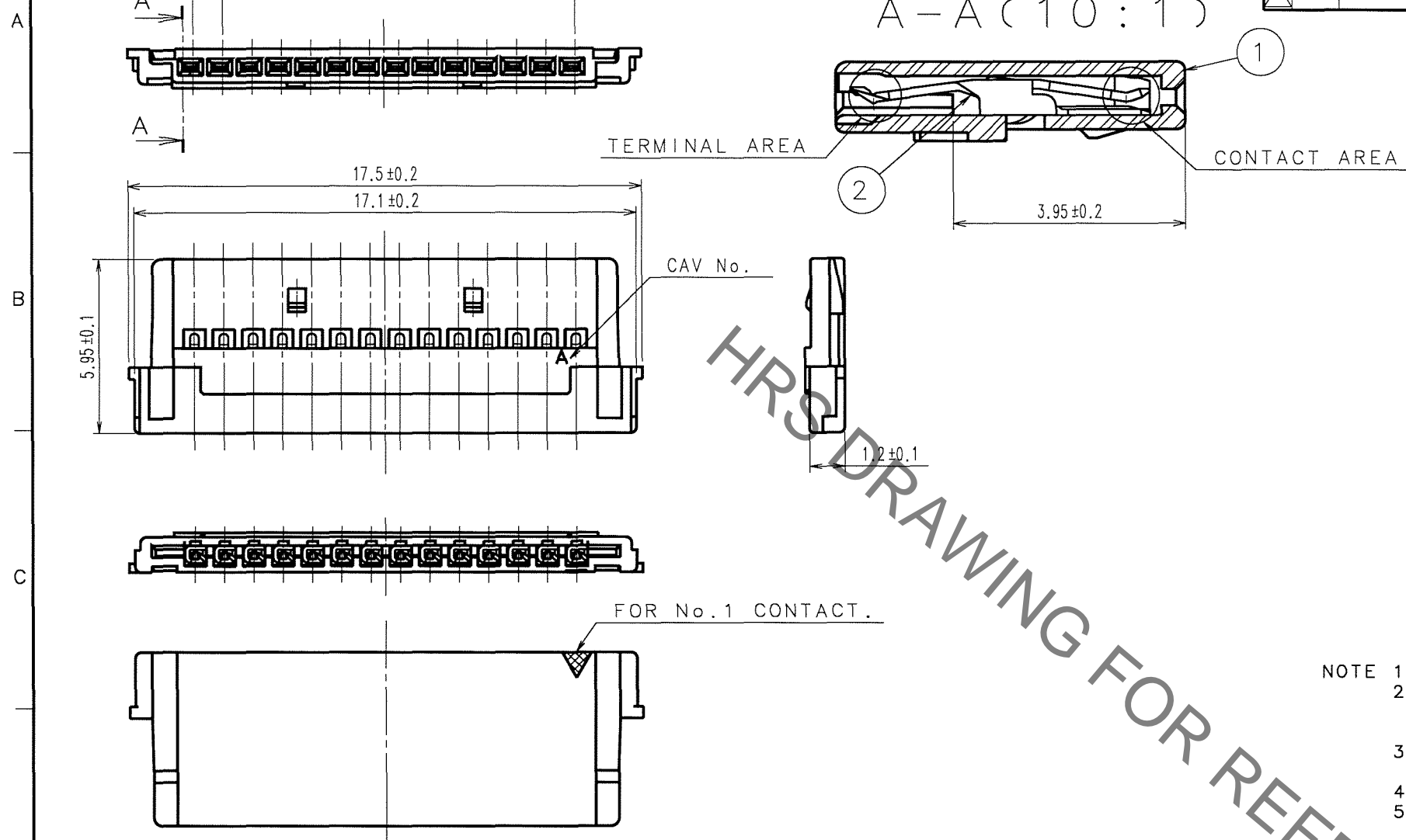
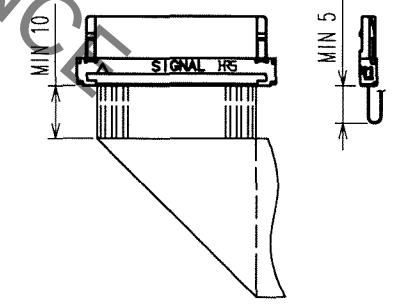


Sep.1.2021 Copyright 2021 HIROSE ELECTRIC CO., LTD. All Rights Reserved.
In case of consideration for using Automotive equipment / device which demand high reliability, kindly contact our sales window correspondents.

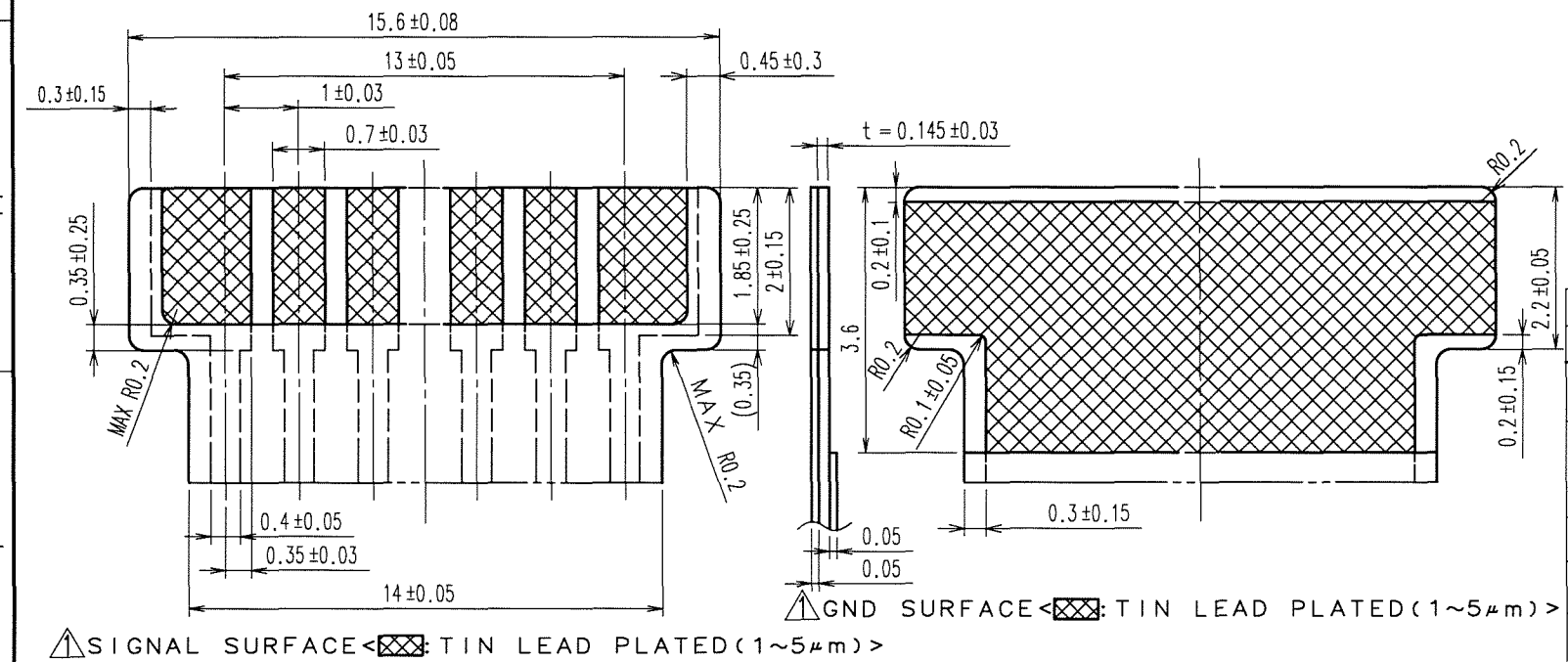
COUNT	DESCRIPTION OF REVISIONS	BY	CHKD	DATE	COUNT	DESCRIPTION OF REVISIONS	BY	CHKD	DATE
2	DIS-H-000773	I-D	H.U	06.02.09					



- NOTE 1:** TRAY PACKAGING. (100 PCS)
NOTE 2: GND BOARD AND SOCKET, EACH SHOULD BE TREATED AS A INDIVIDUAL PRODUCT, AND BE SUPPLIED INDIVIDUALLY. (GND BOARD:DF19G-14S-1F-GND(05)/CL685-0018-5-05)
NOTE 3: IF IT'S NEEDED TO CONNECT SIGNAL SURFACE AND GND, IT MUST BE DONE BY THROUGH HOLE ON FPC.
NOTE 4: USE SPECIALIZED TOOL TO ASSEMBLE FPC.
NOTE 5: INSERTION AND WITHDRAWAL OF CONNECTOR SHALL BE MADE PERPENDICULAR TO MATING SURFACE.
NOTE 6: THIS PRODUCT IS NOT INTENDED TO HAVE ANY STRAIN ON THE CONDUCTORS IN SUCH INSTANCE AS CLOSE-OPEN MOTION OF NOTEBOOK COMPUTER.
NOTE 7: BEND RADIUS OF FPC SHALL BE AS SPECIFIED BY THE FPC MANUFACTURER. BENDING POSITION TO BE AS SHOWN BELOW.



RECOMMENDED PATTERNS OF FPC(10:1)



NO.	MATERIAL	FINISH, REMARKS	NO.	MATERIAL	FINISH, REMARKS
1	POLYAMIDE	UL94V-0, NATURAL(BEIGE)	2	PHOSPHOR BRONZE	CONTACT AREA: GOLD PLATED 0.1µm min TERMINAL AREA: TIN PLATED 1µm min UNDER PLATED: NICKEL PLATED 0.5µm min

CODE NO. (OLD)	DRAWN	DESIGNED	CHECKED	APPROVED	RELEASED
	A.Miyazaki	I.Denpouya	H.Umehara	T.Oma	
	06.01.25	06.01.30	06.01.30	06.01.30	

DRAWING NO.	PART NO.
EDC3-162745-02	DF19G-14S-1F(05)
SCALE 5:1	CODE NO.
UNITS mm	CL685-0017-2-05

TO

X-ON Electronics

Largest Supplier of Electrical and Electronic Components

Click to view similar products for [Headers & Wire Housings](#) category:

Click to view products by [Hirose](#) manufacturer:

Other Similar products are found below :

[892-18-020-10-001101](#) [58102-G61-06LF](#) [582553-1](#) [0009485154](#) [009176003701906](#) [0050291907](#) [LY20-4P-DT1-P1E-BR](#) [02.125.8002.8](#)
[609-3404](#) [61062-3](#) [622-0430](#) [622-3653LF](#) [63453-116](#) [636-1030](#) [636-1427](#) [636-3427](#) [636-4007](#) [641938-9](#) [641991-4](#) [644827-2](#) [65817-010LF](#)
[65817-015LF](#) [65863-015LF](#) [66207-023LF](#) [67095-007LF](#) [67601157](#) [68648-049](#) [70.362.1628.0](#) [70-4210](#) [70-4226B](#) [70-4853B](#) [707-5020](#) [707-5028](#) [71.350.2428.0](#) [71918-208LF](#) [71961-016LF](#) [733-134](#) [733-162](#) [754199-000](#) [760-3052](#) [787-8014-00](#) [79531-3000](#) [FCN-360C032-B](#) [FCN-367T-T012/H](#) [FCN-723D010/2](#) [80.063.4001.1](#) [800-90-001-10-001000](#) [800-90-010-10-002000](#) [801-43-002-10-013000](#) [801-43-006-10-002000](#)