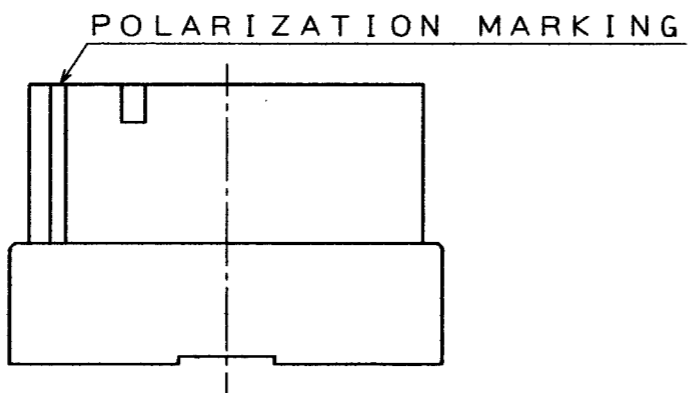
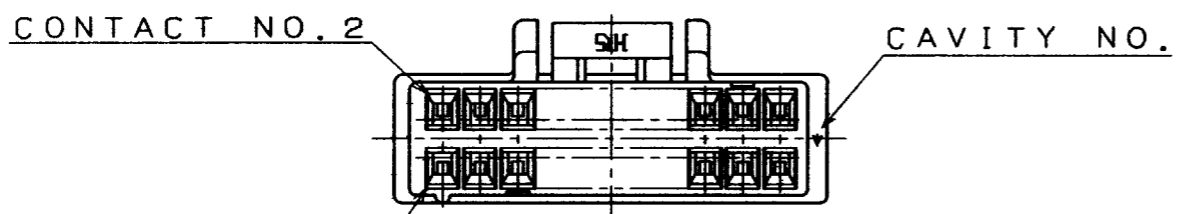
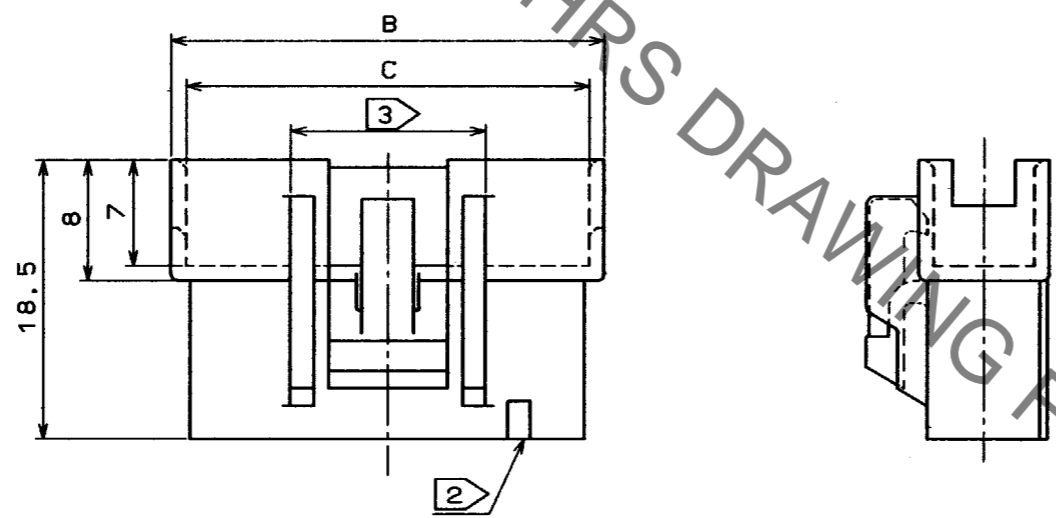
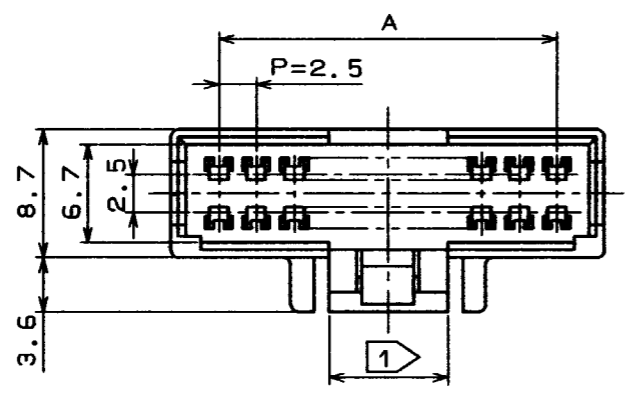


Sep.1.2020 Copyright 2020 HIROSE ELECTRIC CO., LTD. All Rights Reserved.
In case of consideration for using Automotive equipment / device which demand high reliability, kindly contact our sales window correspondents.

COUNT	DESCRIPTION OF REVISIONS	BY	CHKD	DATE	COUNT	DESCRIPTION OF REVISIONS	BY	CHKD	DATE



UNIT : (mm)

HRS NO.	PART NO.	A	B	C
CL541-0366-9	DF1B-10DEP-2.5RC	10.0	17.2	15.2
CL541-0367-1	DF1B-12DEP-2.5RC	12.5	19.7	17.7
CL541-0368-4	DF1B-14DEP-2.5RC	15.0	22.2	20.2
CL541-0369-7	DF1B-16DEP-2.5RC	17.5	24.7	22.7
CL541-0350-9	DF1B-18DEP-2.5RC	20.0	27.2	25.2
CL541-0370-6	DF1B-20DEP-2.5RC	22.5	29.7	27.7
CL541-0371-9	DF1B-22DEP-2.5RC	25.0	32.2	30.2
CL541-0372-1	DF1B-24DEP-2.5RC	27.5	34.7	32.7
CL541-0373-4	DF1B-26DEP-2.5RC	30.0	37.2	35.2
CL541-0374-7	DF1B-28DEP-2.5RC	32.5	39.7	37.7
CL541-0375-0	DF1B-30DEP-2.5RC	35.0	42.2	40.2
CL541-0376-2	DF1B-32DEP-2.5RC	37.5	44.7	42.7
CL541-0377-5	DF1B-34DEP-2.5RC	40.0	47.2	45.2

- ① 10 CONTACTS TO 18 CONTACTS SHALL BE 5.5mm.
20 CONTACTS TO 34 CONTACTS SHALL BE 8mm.
- ② THE POSITION OF CONTACT NO.5, 10, 15, ... SHALL BE MARKED.
- ③ 10 CONTACTS TO 18 CONTACTS SHALL BE 10.5mm.
20 CONTACTS TO 34 CONTACTS SHALL BE 13mm.

NO. MATERIAL FINISH, REMARKS		1 POLYAMIDE NATURAL(WHITE) UL94V-0
CODE NO. (OLD)		NO. MATERIAL FINISH, REMARKS
DRAWN	DESIGNED	CHECKED
<i>M. Gotoh</i>	<i>M. Gotoh</i>	<i>J. Oma</i>
'94. 3. 24	'94. 3. 24	'94. 3. 25
DRAWING NO. EDC3-160056-01		PART NO. DF1B-*DEP-2.5RC
UNITS mm		CODE NO. 0350 9
HRS HIROSE ELECTRIC CO., LTD.		CL541-0377-5

TO

X-ON Electronics

Largest Supplier of Electrical and Electronic Components

Click to view similar products for [Headers & Wire Housings](#) category:

Click to view products by [Hirose](#) manufacturer:

Other Similar products are found below :

[95000-104TRLF](#) [10135584-644402LF](#) [DF62W-EP2022PCA](#) [95000-106TRLF](#) [DF62W-2022SCA](#) [DF62W-EP2022PC](#) [2203348](#) [DF62W-2022SC](#) [1084018](#) [1029039](#) [1084017](#) [802-10-012-10-002000](#) [1112640](#) [1112639](#) [000-34000](#) [0009482033](#) [0009507031](#) [57102-S06-03LF](#) [57202-S52-04LF](#) [PCN6-15S-2.5E](#) [0039019024](#) [58102-G61-06LF](#) [582553-1](#) [0009508121](#) [0022285053](#) [0050291907](#) [018731A](#) [LY20-4P-DT1-P1E-BR](#) [02.125.8002.8](#) [60101931](#) [60598-1 \(Cut Strip\)](#) [M1625-3R/100](#) [61062-3](#) [61082-181009](#) [636-1427](#) [638009-1](#) [641938-9](#) [641991-4](#) [644168-1](#) [644827-2](#) [647662-1](#) [65039-019ELF](#) [65817-002LF](#) [65817-015LF](#) [65863-015LF](#) [66207-023LF](#) [67016-026LF](#) [67046-001LF](#) [67095-007LF](#) [68002-116](#)