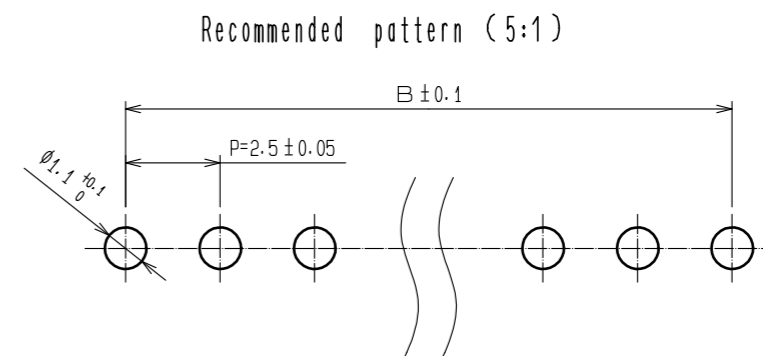
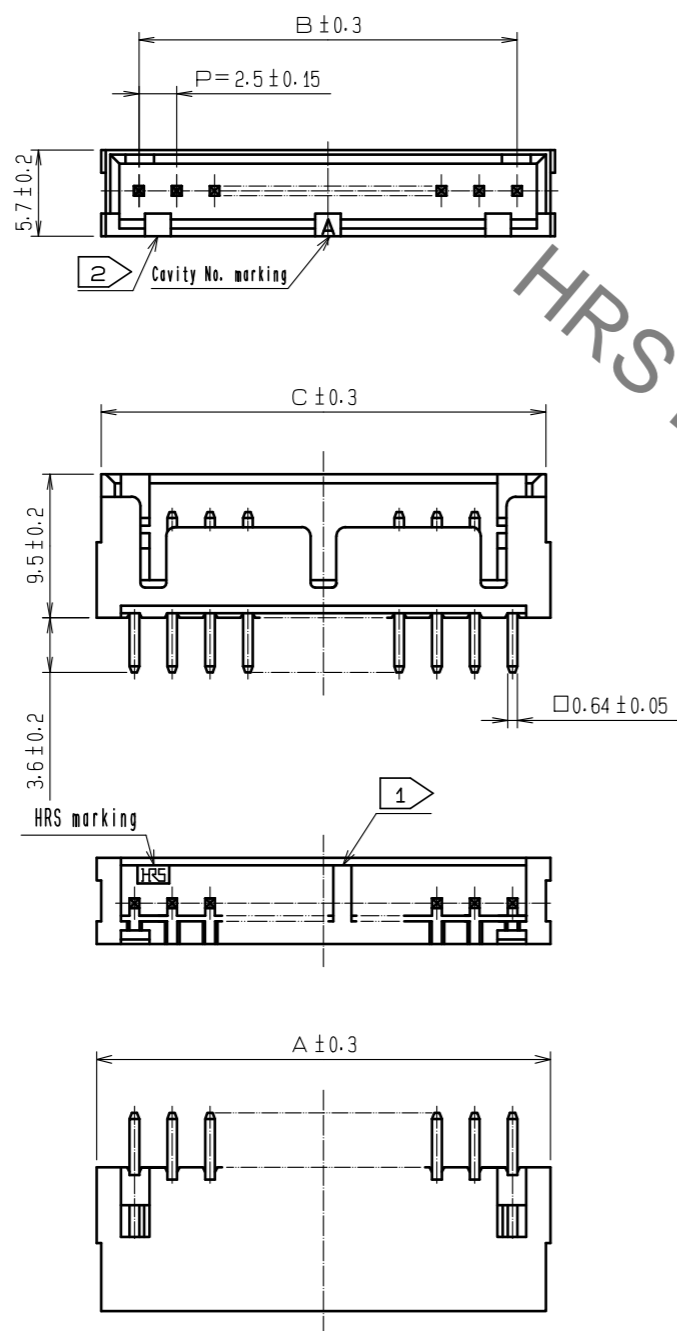


Aug.1.2021 Copyright 2021 HIROSE ELECTRIC CO., LTD. All Rights Reserved.
 In case of consideration for using Automotive equipment / device which demand high reliability, kindly contact our sales window correspondents.



Part No.	Code No.	Contact No.	A	B	C
CL541-0225-7-01	DF1B- 2P-2.5DSA(01)	2	7.5	2.5	6.9
CL541-0226-0-01	DF1B- 3P-2.5DSA(01)	3	10.0	5.0	9.4
CL541-0227-2-01	DF1B- 4P-2.5DSA(01)	4	12.5	7.5	11.9
CL541-0228-5-01	DF1B- 5P-2.5DSA(01)	5	15.0	10.0	14.4
CL541-0229-8-01	DF1B- 6P-2.5DSA(01)	6	17.5	12.5	16.9
CL541-0230-7-01	DF1B- 7P-2.5DSA(01)	7	20.0	15.0	19.4
CL541-0231-0-01	DF1B- 8P-2.5DSA(01)	8	22.5	17.5	21.9
CL541-0232-2-01	DF1B- 9P-2.5DSA(01)	9	25.0	20.0	24.4
CL541-0233-5-01	DF1B-10P-2.5DSA(01)	10	27.5	22.5	26.9
CL541-0235-0-01	DF1B-12P-2.5DSA(01)	12	32.5	27.5	31.9
CL541-0237-6-01	DF1B-14P-2.5DSA(01)	14	37.5	32.5	36.9
CL541-0238-9-01	DF1B-15P-2.5DSA(01)	15	40.0	35.0	39.4
CL541-0239-1-01	DF1B-16P-2.5DSA(01)	16	42.5	37.5	41.9
CL541-0240-0-01	DF1B-18P-2.5DSA(01)	18	47.5	42.5	46.9
CL541-0241-3-01	DF1B-20P-2.5DSA(01)	20	52.5	47.5	51.9

Note 1 When the numbers of contacts is odd.
 The stand-off shifts 1.25 rightward.
 (Stand-off available from 4 positions up.)

Note 2 2 positions and 3 positions headers have 1 polarizing slot at center.
 To 6 positions from 4 positions have 2 polarizing slots.
 Other positions have 3 polarizing slots as per drawing.

1	Polyamide	UL94V-0, Natural(White)	2	Brass	Surface: Gold plated 0.2μm min. Under plating: Nickel plated 1μm min.
NO.	MATERIAL	FINISH, REMARKS	NO.	MATERIAL	FINISH, REMARKS
UNITS mm		SCALE 2:1	COUNT 1	DESCRIPTION OF REVISIONS DIS-H-00004686	DESIGNED SN. MIWA
APPROVED: TY. OMA 20060805		DRAWING NO. EDC-071798-01-03		CHECKED SZ. ONO	
CHECKED: HK. UMEHARA 20060805		PART NO. DF1B-*P-2.5DSA(01)		DATE 20190306	
DESIGNED: AH. MIYAZAKI 20060805		CODE NO. CL541-		1/1	
DRAWN: AK. MIURA 20060805					

X-ON Electronics

Largest Supplier of Electrical and Electronic Components

Click to view similar products for [Headers & Wire Housings](#) category:

Click to view products by [Hirose](#) manufacturer:

Other Similar products are found below :

[892-18-020-10-001101](#) [58102-G61-06LF](#) [582553-1](#) [0009485154](#) [009176003701906](#) [0050291907](#) [LY20-4P-DT1-P1E-BR](#) [02.125.8002.8](#)
[609-3404](#) [61062-3](#) [622-0430](#) [622-3653LF](#) [63453-116](#) [636-1030](#) [636-1427](#) [636-3427](#) [636-4007](#) [641938-9](#) [641991-4](#) [644827-2](#) [65817-010LF](#)
[65817-015LF](#) [65863-015LF](#) [66207-023LF](#) [67095-007LF](#) [67601157](#) [68648-049](#) [70.362.1628.0](#) [70-4210](#) [70-4226B](#) [70-4853B](#) [707-5020](#) [707-5028](#) [71.350.2428.0](#) [71918-208LF](#) [71961-016LF](#) [733-134](#) [733-162](#) [754199-000](#) [760-3052](#) [787-8014-00](#) [79531-3000](#) [FCN-360C032-B](#) [FCN-367T-T012/H](#) [FCN-723D010/2](#) [80.063.4001.1](#) [800-90-001-10-001000](#) [800-90-010-10-002000](#) [801-43-002-10-013000](#) [801-43-006-10-002000](#)