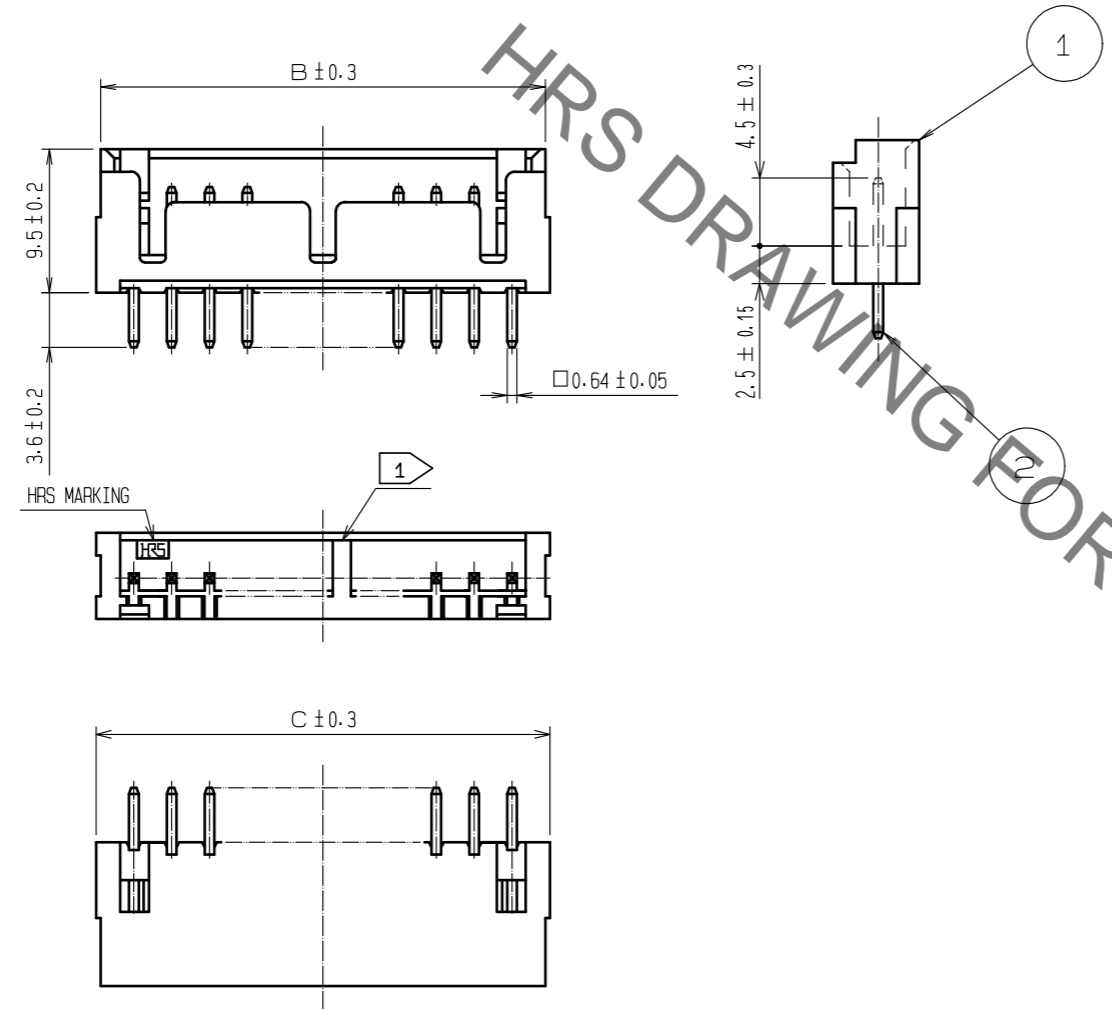
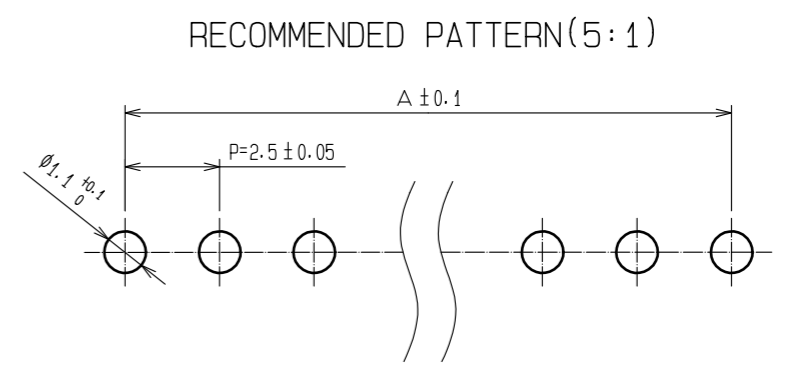
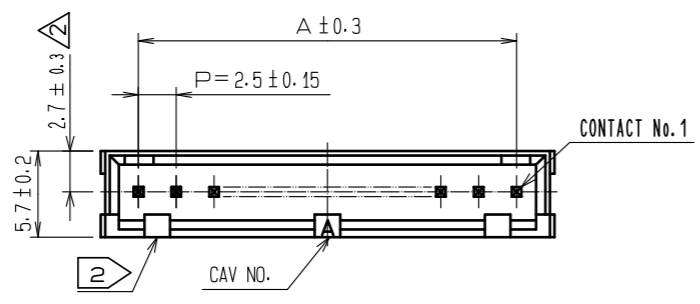


Aug.1.2021 Copyright 2021 HIROSE ELECTRIC CO., LTD. All Rights Reserved.  
In case of consideration for using Automotive equipment / device which demand high reliability, kindly contact our sales window correspondents.



HRS DRAWING FOR REFERENCE

PART NO.	CODE NO.	CONTACT NO.	A	B	C
DF1BZ- 2P-2.5DSA	CL541-2000-8	2	2.5	6.9	7.5
DF1BZ- 3P-2.5DSA	CL541-2001-0	3	5.0	9.4	10.0
DF1BZ- 4P-2.5DSA	CL541-2002-3	4	7.5	11.9	12.5
DF1BZ- 5P-2.5DSA	CL541-2003-6	5	10.0	14.4	15.0
DF1BZ- 6P-2.5DSA	CL541-2004-9	6	12.5	16.9	17.5
DF1BZ- 7P-2.5DSA	CL541-2005-1	7	15.0	19.4	20.0
DF1BZ- 8P-2.5DSA	CL541-2006-4	8	17.5	21.9	22.5
DF1BZ- 9P-2.5DSA	CL541-2007-7	9	20.0	24.4	25.0
DF1BZ-10P-2.5DSA	CL541-2008-0	10	22.5	26.9	27.5
DF1BZ-11P-2.5DSA	CL541-2009-2	11	25.0	29.4	30.0
DF1BZ-12P-2.5DSA	CL541-2010-1	12	27.5	31.9	32.5
DF1BZ-13P-2.5DSA	CL541-2011-4	13	30.0	34.4	35.0
DF1BZ-14P-2.5DSA	CL541-2012-7	14	32.5	36.9	37.5
DF1BZ-15P-2.5DSA	CL541-2013-0	15	35.0	39.4	40.0
DF1BZ-16P-2.5DSA	CL541-2014-2	16	37.5	41.9	42.5
DF1BZ-18P-2.5DSA	CL541-2015-5	18	42.5	46.9	47.5
DF1BZ-20P-2.5DSA	CL541-2016-8	20	47.5	51.9	52.5

NOTES 1: WHEN THE NUMBERS OF CONTACTS IS ODD.  
THE STAND-OFF SHIFTS 1.25 RIGHTWARD.  
(STAND-OFF AVAILABLE FROM 4 POSITIONS UP.)  
2: 2 POSITIONS AND 3 POSITIONS HEADERS HAVE 1 POLARIZING SLOT AT CENTER.  
TO 6 POSITIONS FROM 4 POSITIONS HAVE 2 POLARIZING SLOTS.  
OTHER POSITIONS HAVE 3 POLARIZING SLOTS AS PER DRAWING.

1	POLYAMIDE	UL94V-0, NATURAL(WHITE)	2	BRASS	SURFACE:TIN PLATED 1μm min UNDER PLATING:NICKEL PLATED 0.5μm min		
NO.	MATERIAL	FINISH . REMARKS	NO.	MATERIAL	FINISH . REMARKS		
UNITS mm		SCALE 5 : 1	COUNT 1	DESCRIPTION OF REVISIONS DIS-H-00004291	DESIGNED TS. KUMAZAWA	CHECKED SZ. ONO	DATE 20181003
<b>HRS</b> HIROSE ELECTRIC CO., LTD.		APPROVED : KJ. KATAYOSE	20050105	DRAWING NO. EDC3-303206-01			
		CHECED : TY. OMA	20050105	PART NO. DF1BZ-*P-2.5DSA			
		DESIGNED : TS. KUMAZAWA	20050105	CODE NO. CL541-			
		DRAWN : TS. KUMAZAWA	20050105				

## X-ON Electronics

Largest Supplier of Electrical and Electronic Components

*Click to view similar products for [Headers & Wire Housings](#) category:*

*Click to view products by [Hirose](#) manufacturer:*

Other Similar products are found below :

[892-18-020-10-001101](#) [58102-G61-06LF](#) [582553-1](#) [0009485154](#) [009176003701906](#) [0050291907](#) [LY20-4P-DT1-P1E-BR](#) [02.125.8002.8](#)  
[609-3404](#) [61062-3](#) [622-0430](#) [622-3653LF](#) [63453-116](#) [636-1030](#) [636-1427](#) [636-3427](#) [636-4007](#) [641938-9](#) [641991-4](#) [644827-2](#) [65817-010LF](#)  
[65817-015LF](#) [65863-015LF](#) [66207-023LF](#) [67095-007LF](#) [67601157](#) [68648-049](#) [70.362.1628.0](#) [70-4210](#) [70-4226B](#) [70-4853B](#) [707-5020](#) [707-5028](#) [71.350.2428.0](#) [71918-208LF](#) [71961-016LF](#) [733-134](#) [733-162](#) [754199-000](#) [760-3052](#) [787-8014-00](#) [79531-3000](#) [FCN-360C032-B](#) [FCN-367T-T012/H](#) [FCN-723D010/2](#) [80.063.4001.1](#) [800-90-001-10-001000](#) [800-90-010-10-002000](#) [801-43-002-10-013000](#) [801-43-006-10-002000](#)