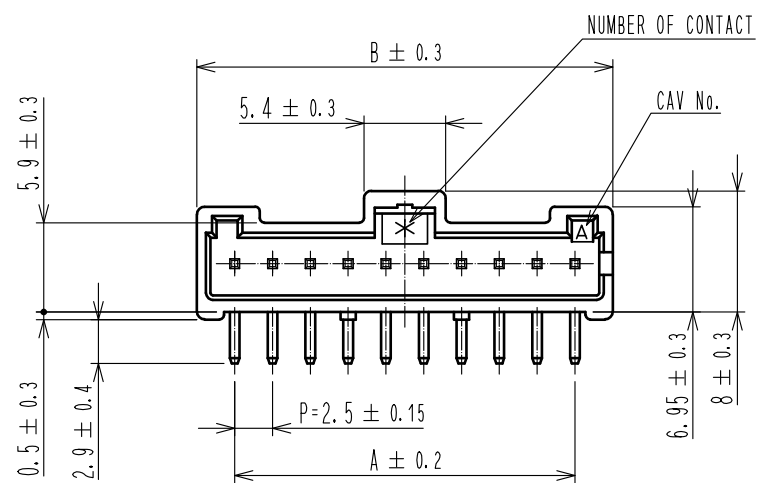
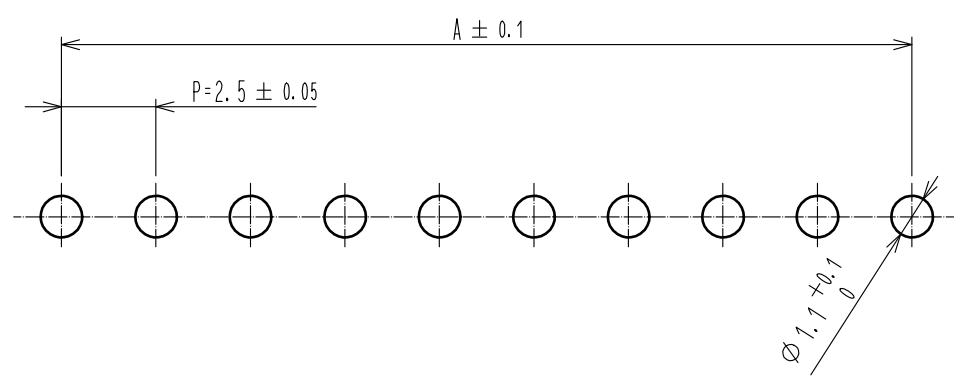


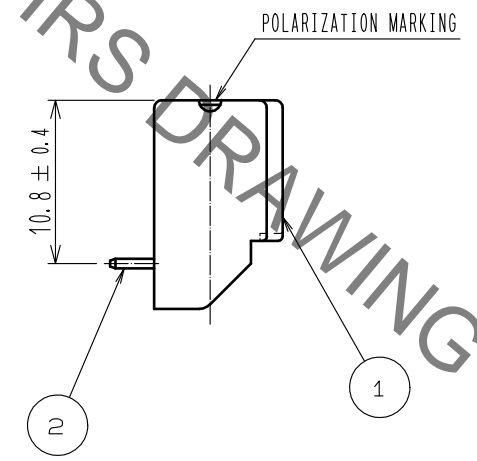
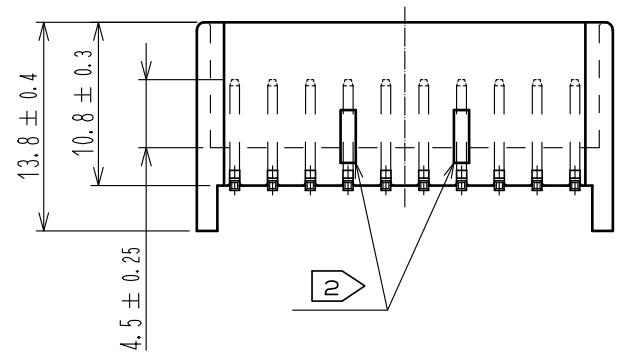
Sep.1.2020 Copyright 2020 HIROSE ELECTRIC CO., LTD. All Rights Reserved.  
In case of consideration for using Automotive equipment / device which demand high reliability, kindly contact our sales window correspondents.



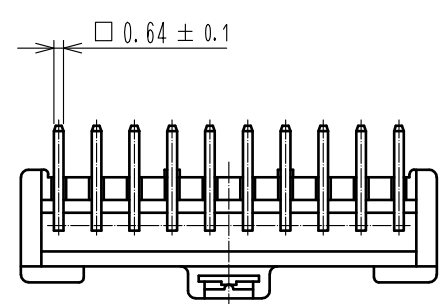
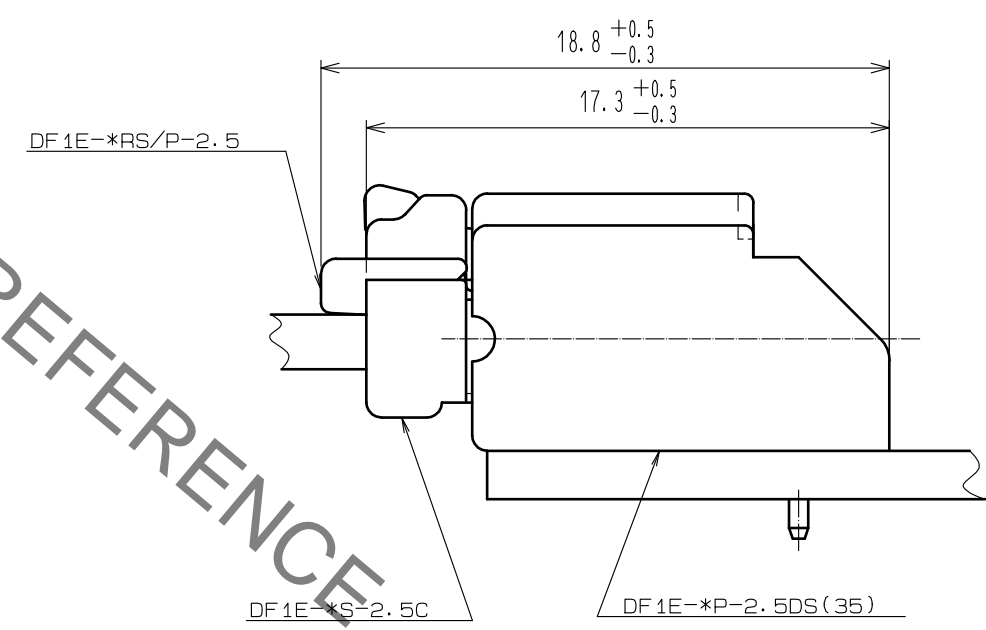
RECOMMENDED PCB LAYOUT(5:1)  
(PCB THICKNESS:1.6±0.1)



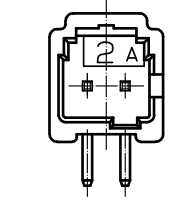
| PART No.           | CODE No.        | NUMBER OF CONTACT | A    | B    |
|--------------------|-----------------|-------------------|------|------|
| DF1E- 2P-2.5DS(35) | CL541-0985-0-35 | 2                 | 2.5  | 7.5  |
| DF1E- 3P-2.5DS(35) | CL541-0986-3-35 | 3                 | 5    | 10   |
| DF1E- 4P-2.5DS(35) | CL541-0987-6-35 | 4                 | 7.5  | 12.5 |
| DF1E- 5P-2.5DS(35) | CL541-0988-9-35 | 5                 | 10   | 15   |
| DF1E- 6P-2.5DS(35) | CL541-0989-1-35 | 6                 | 12.5 | 17.5 |
| DF1E- 7P-2.5DS(35) | CL541-0990-0-35 | 7                 | 15   | 20   |
| DF1E- 8P-2.5DS(35) | CL541-0991-3-35 | 8                 | 17.5 | 22.5 |
| DF1E- 9P-2.5DS(35) | CL541-0992-6-35 | 9                 | 20   | 25   |
| DF1E-10P-2.5DS(35) | CL541-0993-9-35 | 10                | 22.5 | 27.5 |
| DF1E-11P-2.5DS(35) | CL541-0994-1-35 | 11                | 25   | 30   |
| DF1E-12P-2.5DS(35) | CL541-0995-4-35 | 12                | 27.5 | 32.5 |
| DF1E-13P-2.5DS(35) | CL541-0996-7-35 | 13                | 30   | 35   |
| DF1E-14P-2.5DS(35) | CL541-0997-0-35 | 14                | 32.5 | 37.5 |
| DF1E-15P-2.5DS(35) | CL541-0998-2-35 | 15                | 35   | 40   |



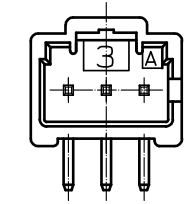
APPLICATION DIAGRAM(4:1)



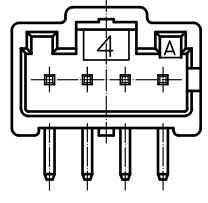
1 FOR DF1E-2P-2.5DS(35)



1 FOR DF1E-3P-2.5DS(35)



1 FOR DF1E-4P-2.5DS(35)



- NOTES
- 1 CONFIGURATION OF DF1E-2P-2.5DS(35), DF1E-3P-2.5DS(35) AND DF1E-4P-2.5DS(35).
  - 2 AND 3 OF CONTACTS MAKE DRAWING FORM (PROJECTION) UNNECESSARY, AND 4 OF CONTACTS CONSIDERED AS ONE PROJECTION IN THE CENTER.
  3. UL(FILE NO.E52653), C-UL(FILE NO.E52653) APPROVED PRODUCT.



| NO. | MATERIAL  | FINISH . REMARKS          | NO. | MATERIAL | FINISH . REMARKS  |
|-----|-----------|---------------------------|-----|----------|---|
| 1   | POLYAMIDE | NATURAL (BEIGE) . UL94V-0 | 2   | BRASS    | SURFACE:TIN PLATED 1#m min<br>UNDER PLATING:NICKEL PLATED 0.5#m min |

| UNITS | SCALE | COUNT | DESCRIPTION OF REVISIONS         | DESIGNED | CHECKED | DATE |
|-------|-------|-------|----------------------------------|----------|---------|------|
| mm    | 2 : 1 | △     | APPROVED : KI. AKIYAMA 15.05.29  |          |         |      |
|       |       |       | CHECKED : TS. FUKUSHIMA 15.05.29 |          |         |      |
|       |       |       | DESIGNED : TS. KUMAZAWA 15.05.29 |          |         |      |
|       |       |       | DRAWN : MI. SAKIMURA 15.05.28    |          |         |      |

|             |                    |
|-------------|--------------------|
| DRAWING NO. | EDC-161951-35-00   |
| PART NO.    | DF1E- *P-2.5DS(35) |
| CODE NO.    | CL541-             |

## X-ON Electronics

Largest Supplier of Electrical and Electronic Components

*Click to view similar products for [Headers & Wire Housings](#) category:*

*Click to view products by [Hirose](#) manufacturer:*

Other Similar products are found below :

[95000-104TRLF](#) [10135584-644402LF](#) [DF62W-EP2022PCA](#) [95000-106TRLF](#) [DF62W-2022SCA](#) [DF62W-EP2022PC](#) [2203348](#) [DF62W-2022SC](#) [1084018](#) [1029039](#) [1084017](#) [802-10-012-10-002000](#) [1112640](#) [1112639](#) [000-34000](#) [0009482033](#) [0009507031](#) [57102-S06-03LF](#) [57202-S52-04LF](#) [PCN6-15S-2.5E](#) [0039019024](#) [58102-G61-06LF](#) [582553-1](#) [0009508121](#) [0050291907](#) [018731A](#) [LY20-4P-DT1-P1E-BR](#) [02.125.8002.8](#) [60101931](#) [60598-1 \(Cut Strip\)](#) [M1625-3R/100](#) [61062-3](#) [61082-181009](#) [636-1427](#) [638009-1](#) [641938-9](#) [641991-4](#) [644168-1](#) [647662-1](#) [65039-019ELF](#) [65817-002LF](#) [65817-015LF](#) [65863-015LF](#) [66207-023LF](#) [67016-026LF](#) [67046-001LF](#) [67095-007LF](#) [68002-116](#) [68016-236H](#) [68648-049](#)